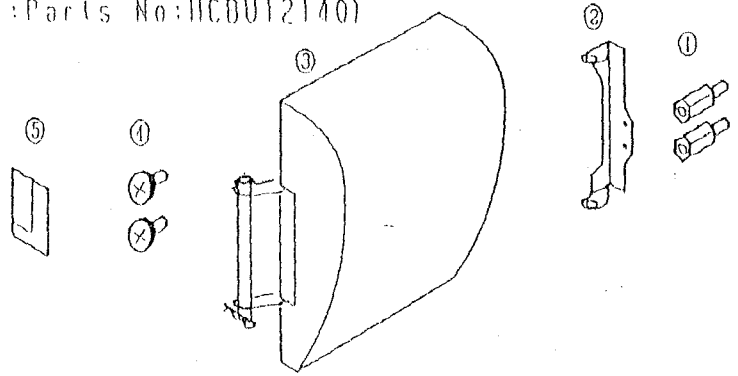


Instruction for Installing Front Cover (new type) on HCS machine (with previous Front Cover)

1. Required parts (New Front Cover Kit: Parts No: HCDU12140)

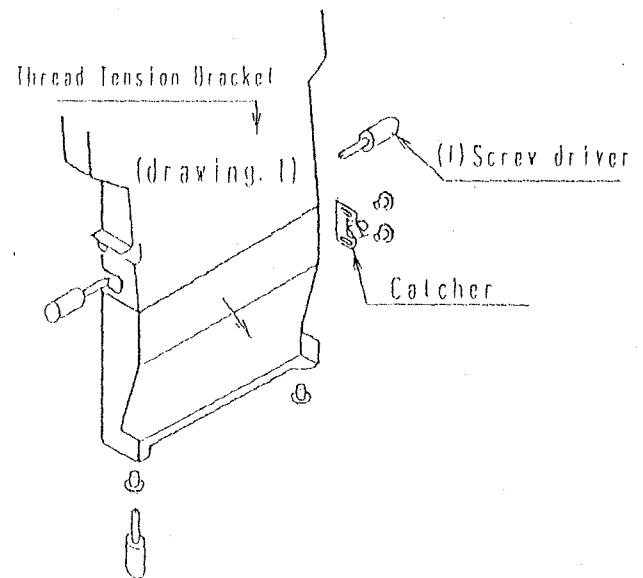
Consist of:

- | | |
|----------------------------|------|
| ①. Hinge stud | 2pcs |
| ②. Hinge Support | 1pc |
| ③. New Front Cover set | 1pc |
| ④. Screw for Hinge Support | 2pcs |
| ⑤. Sticker for Cut Line | 1pc |



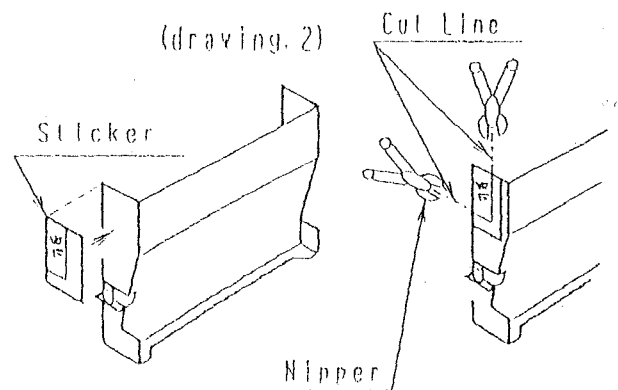
2. Steps for installation of New Front Cover.

- 1) Take Front Cover (previous type) out from machine.
- 2) Take Lower Front Panel Ass'y out from machine. (drawing. 1)
 - *loosen screws of Thread Tension Bracket Ass'y (right and left side).
 - *take fixing screw for Lower Front Panel out from lower side.
 - *take Front Cover Catcher out.



3) Modification of Lower Front Panel. (drawing. 3)

- *Put Sticker for Cut Line at the corner of Lower Front Panel.
- *Cut a part of Lower Front Panel off according to cut line by nippers. (Clean cut face by a sand paper)



4) Screw Hinge Stud into Moving Head.
 (left side) (drawing. 3)
 (please do not tighten strongly)

5) Install Lower Front Panel
 (drawing. 3)

+ Fix by screws and Front Cover
 Catcher which were taken out at
 step 2)

+ Push Thread Tension Bracket and fix
 screws from right and left side.

6) Install Hinge Support. (drawing. 3)

+ Fix Hinge Support by screws on
 Hinge Stud.

7) Install New Front Cover. (drawing. 4)

+ Take snap-pin out and remove
 hinge shaft.

+ Set hinge to hinge support and
 insert hinge shaft.

+ Put snap-pin into hinge shaft.

