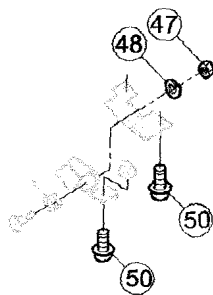
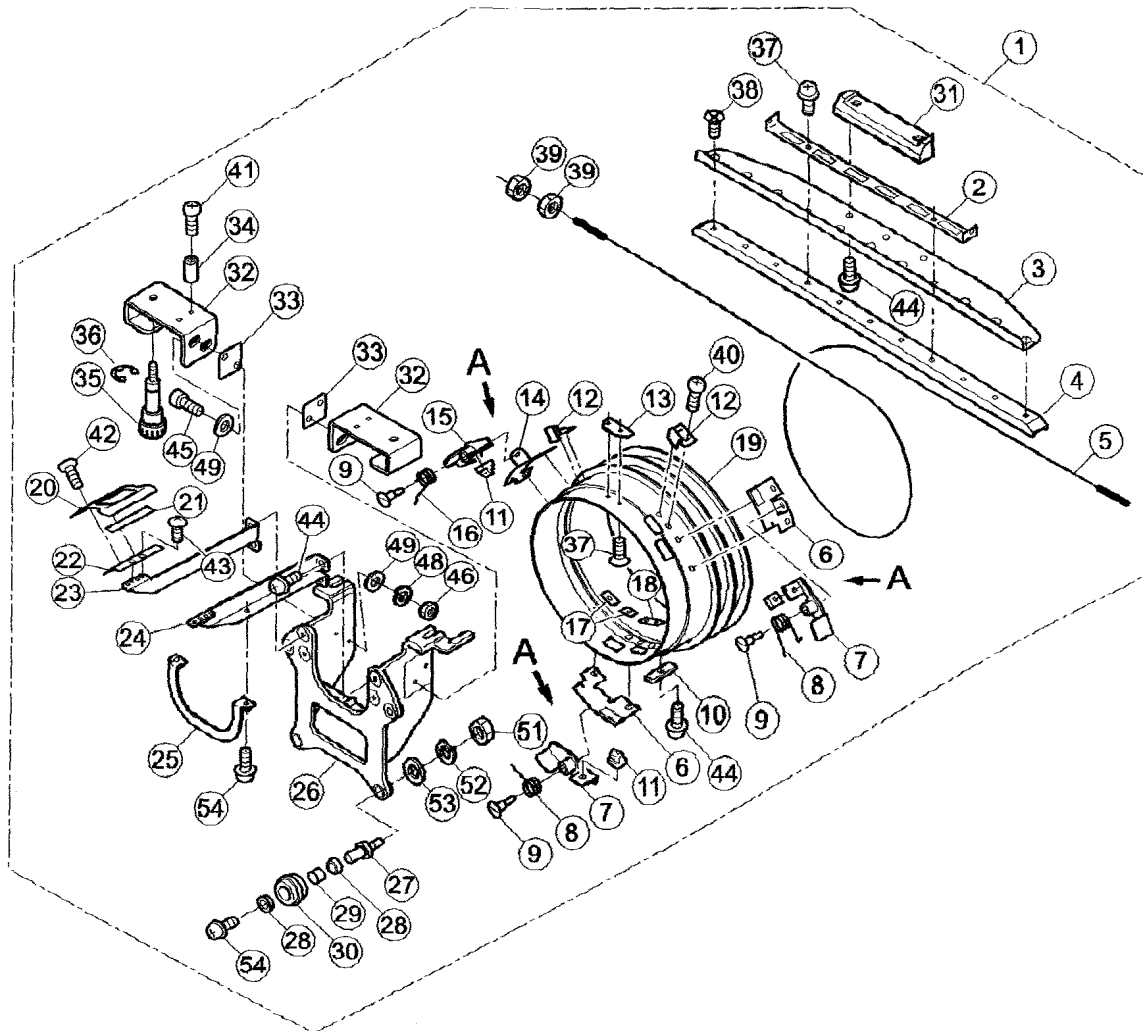


CAP FRAME (DRIVE FRAME)

CSP128 19a-1



A

CAP FRAME (DRIVE FRAME)

CSF128

19a-1

Ass'y	El't	Parts No.	Parts Names	Note
	1	HCS43002	HCS Drive frame ass'y	
	2	FRA43790	Wire fixing plate	
	3	HCS43023	Rail bracket	
	4	FRA43820	Rail	
	5	FRA43780	Wire	
	6	FRA43591	Lever bracket (right)	
	7	FRA43560	Hold lever ass'y (right)	
	8	FRA43620	Torsion coil spring (right)	
	9	FRA43611	Support pin	
	10	FRA43800	Wire keeper	
	11	FRA43601	Lock pin	
	12	FRA43550	Spring	
	13	FRA43542	Center guide	
	14	FRA43650	Lever bracket (left)	
	15	FRA43630	Hold lever ass'y (left)	
	16	FRA43660	Torsion coil spring (left)	
	17	FRA43670	Plate nut (M4)	
	18	FRA43680	Plate nut (M3)	
	19	FRA43843	rotary cylinder	
	20	FRA45020	Guide	
	21	FRA43740	Protect sheet	
	22	FRA45050	Guide bracket	
	23	FRA45040	Guide support (left)	
	24	FRA45030	Guide support (right)	
	25	FRA43690	Reinforcement plate	
	26	HCS43015	Base ass'y	
	27	FRA43531	Guide roller pin	
	28	FRA43520	Bearing	
	29	FRA43750	Guide roller spacer	
	30	FRA43512	Guide roller	
	31	HCS40130	Bracket	
	32	HCS43130	Base fixing bracket	
	33	HCS43230	Spacer	
	34	MPZ00360	Spacer C310	
	35	HCS43141	Knob bolt	
	36	MPR00470	E-ring (E-6)	
	37	SPDD04012	Pan head screw (cross recessed, M4x12)	
	38	SGAD04008	Flat head screw (cross recessed head, M4x8)	
	39	NHAD03000	Hexagon nut (M3)	
	40	SPAD03005	Pan head screw (cross recessed, M3x5)	
	41	SPAD03012	Pan head screw (cross recessed, M3x12)	
	42	SGAD03004	Flat head screw (cross recessed head, M3x4)	
	43	STAD03004	Truss head screw (cross recessed, M3x4)	
	44	SPDD04010	Pan head screw (cross recessed, M4x10)	
	45	SCAD04010	Hexagon socket head cap screw (M4x10)	
	46	NHAD04000	Hexagon nut (M4)	
	47	NHCD04000	Hexagon nut (M4)	
	48	WSAD04000	Spring lock washer (M4)	
	49	WPAD04000	Plain washer (M4)	
	50	SPDD04008	Pan head screw (cross recessed, M4x8)	
	51	NHAD05000	Hexagon nut (M5)	
	52	WSAD05000	Spring lock washer (M5)	
	53	WPAD05000	Plain washer (M5)	
	54	SPDD04006	Pan head screw (cross recessed, M4x6)	