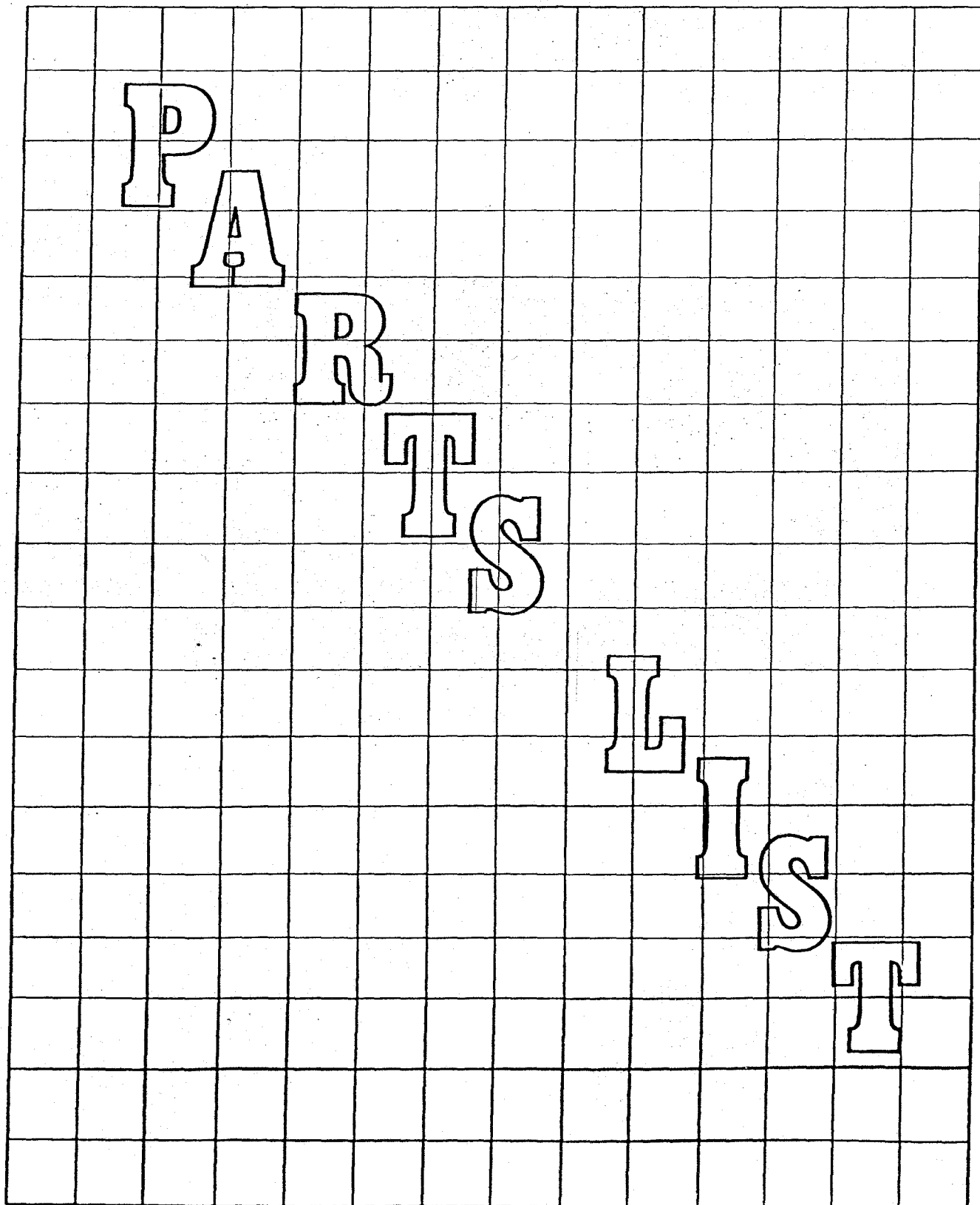


MODEL

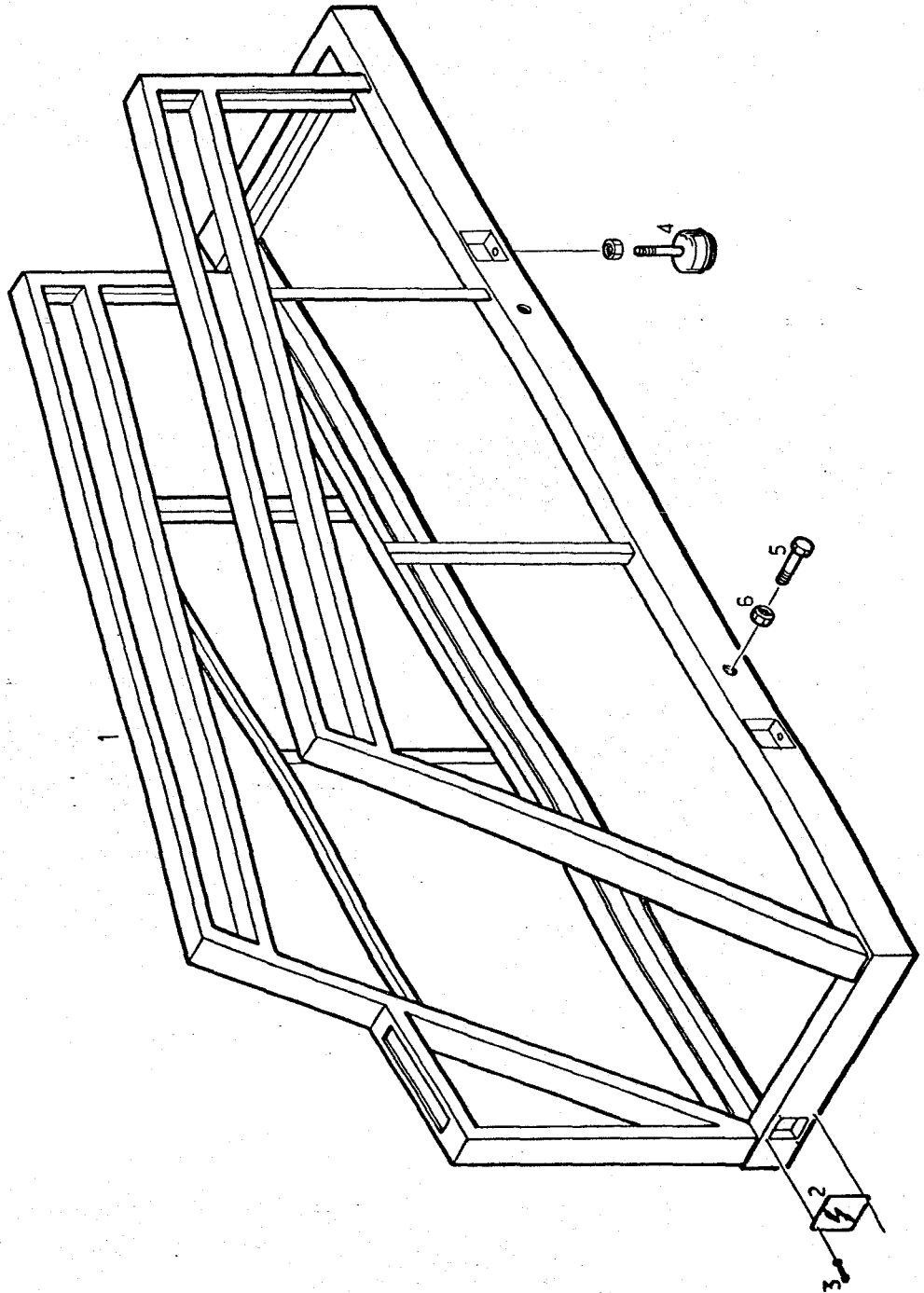
TM-1F-X



ROVING STRIPPER MODEL : TM-1F·X

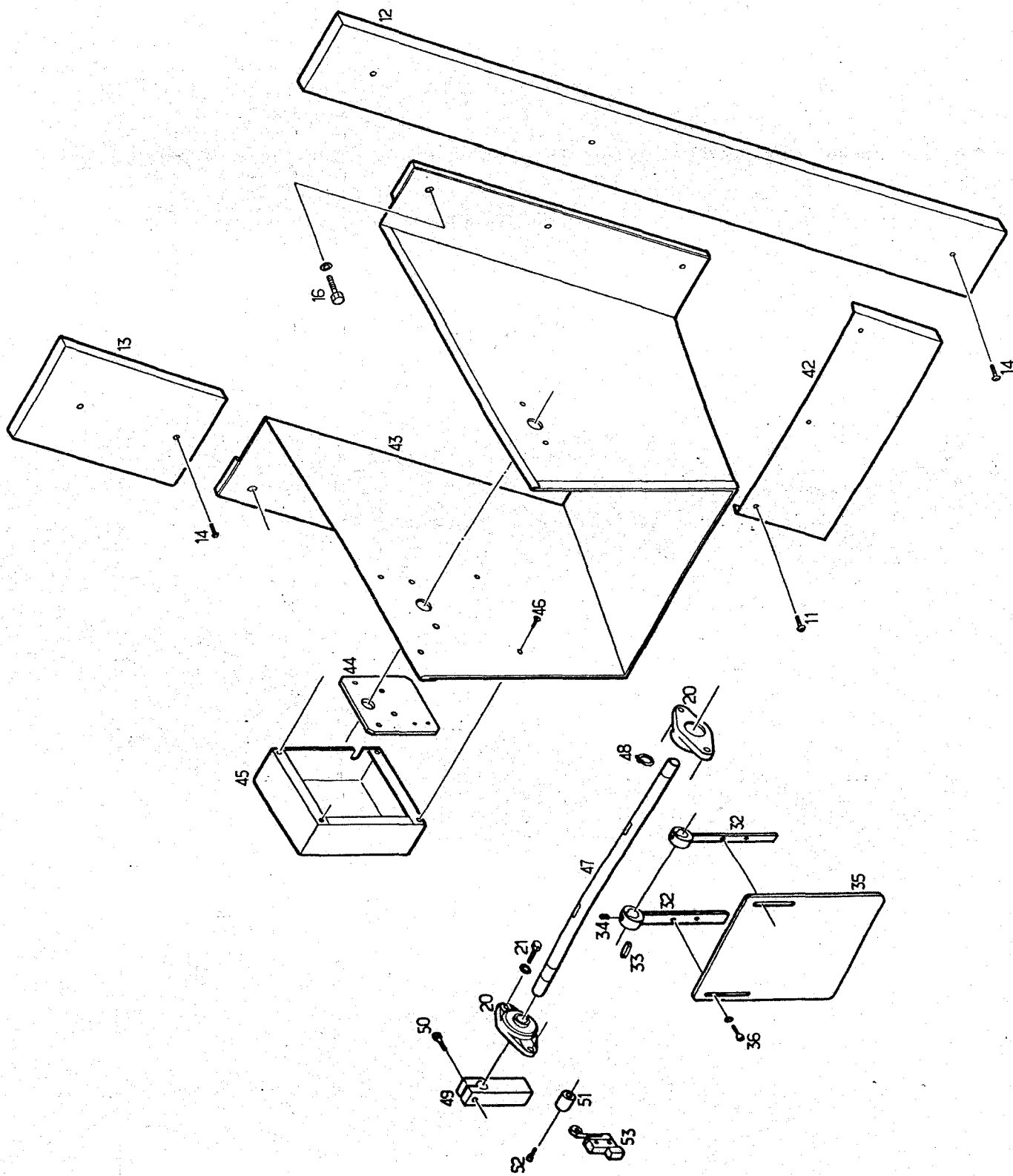
| ASSY. No. | ASSY. NAME |
|-----------|---|
| 300 | FRAME ASSY. |
| 301 | HOPPER ASSY. |
| 302 | CONTROL PANEL ASSY. |
| 303 | SIDE COVER, DOOR ASSY. |
| 304 | BACK COVER, DOOR ASSY. |
| 305 | TOP COVER, TOP BOBBIN GUIDE ASSY. |
| 306 | ROLL BACK BELT ASSY. |
| 307 | BOBBIN CARRIER DRIVING ASSY. |
| 308 | BOBBIN CARRIER GUIDE SHAFT ASSY. |
| 309 | BOBBIN CARRIER GUIDE SHAFT ASSY. |
| 310 | BRUSHING BELT DRIVING ASSY. |
| 311 | FRONT BRUSHING BELT ROLLER ASSY. |
| 312 | BACK BRUSHING BELT ROLLER ASSY. |
| 313 | BRUSHING BELT ASSY. |
| 314 | STRIPPING ROLLER DRIVING ASSY. |
| 315 | STRIPPING ROLLER COVER ASSY. |
| 316 | OPENED FIBER CONTAINER BOX ASSY. |
| 317 | BLOWER MOTOR ASSY. |
| 318 | LATERAL FEED CONVEYOR ASSY. |
| 319 | LATERAL FEED CONVEYOR ASSY. |
| 320 | LONGITUDINAL FEED CONVEYOR ASSY. |
| 321 | LONGITUDINAL FEED CONVEYOR TENSION ASSY. |
| 322 | BOBBIN PRESSING BAR ASSY. |
| 323 | ROLL BACK BELT, CONVEYOR BELT DRIVING ASSY. |
| 325 | BOBBIN PRESSING ROLLER ASSY. |
| 350 | FRAME COVER ASSY. (FEEDING CONVEYOR PART) |
| 351 | BOBBIN GUIDE ASSY. |
| 352 | CONVEYOR BELT ASSY. |
| 353 | CONVEYOR DRIVING ASSY. |

300 FRAME ASSY.



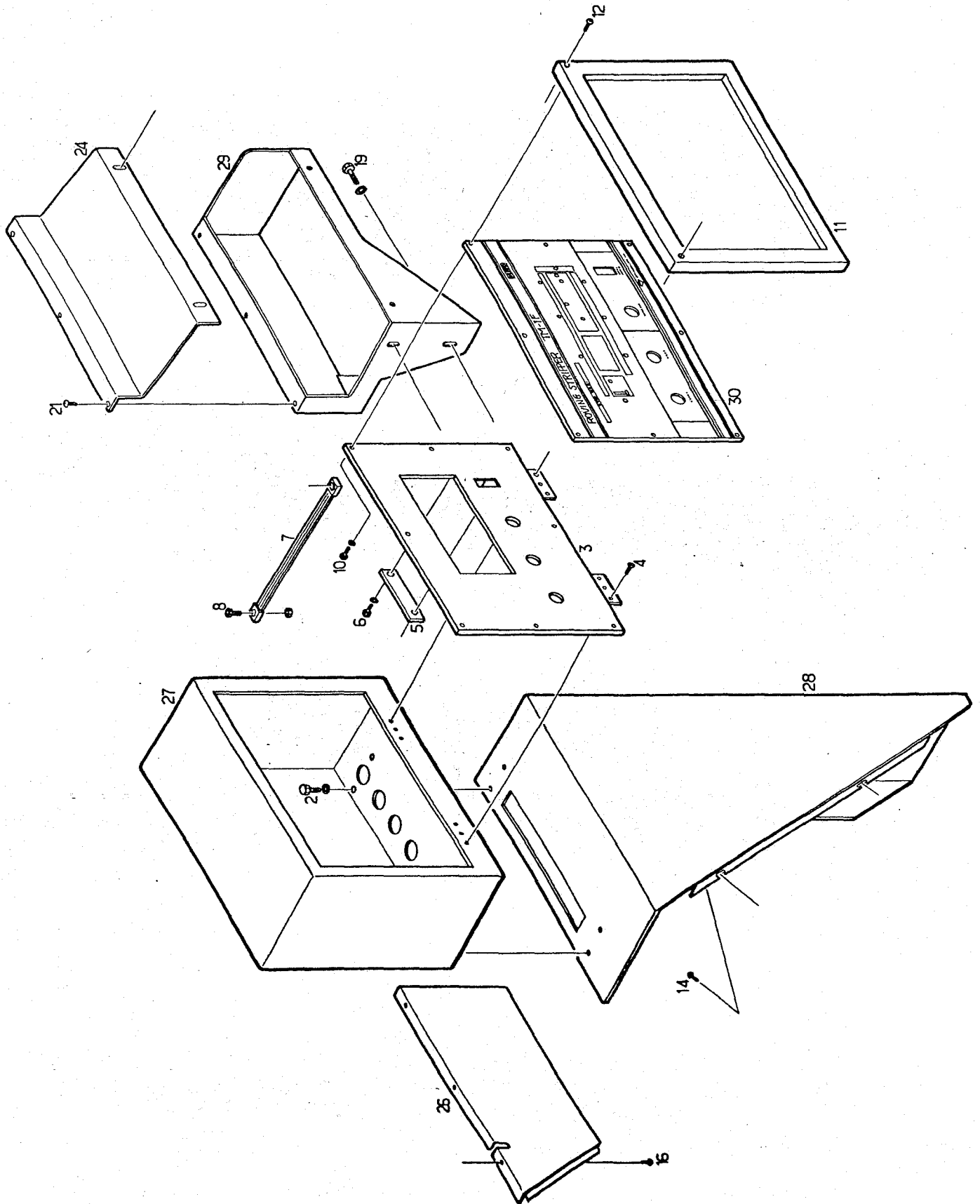
| ASSY. NO. 300 | | ASSY. NAME FRAME ASSY. | | |
|---------------|------------------|------------------------|------|-----------------|
| PART NO. | DRAWING NO. | PART NAME | Q'TY | REMARKS |
| 300 - 1 | OAL 50022B | FRAME | 1 | |
| 300 - 2 | 450377 450422 | SOURCE TERMINAL COVER | 1 | |
| 300 - 3 | | R.H. SCREW | 4 | M 5 x 12 W + SW |
| 300 - 4 | KM-140-50 | LEVELING BLOCK | 4 | |
| 300 - 5 | | HOOK BOLT | 4 | 7/8" |
| 300 - 6 | | HEX. NUT | 4 | 7/8" |

*301 HOPPER ASSY.



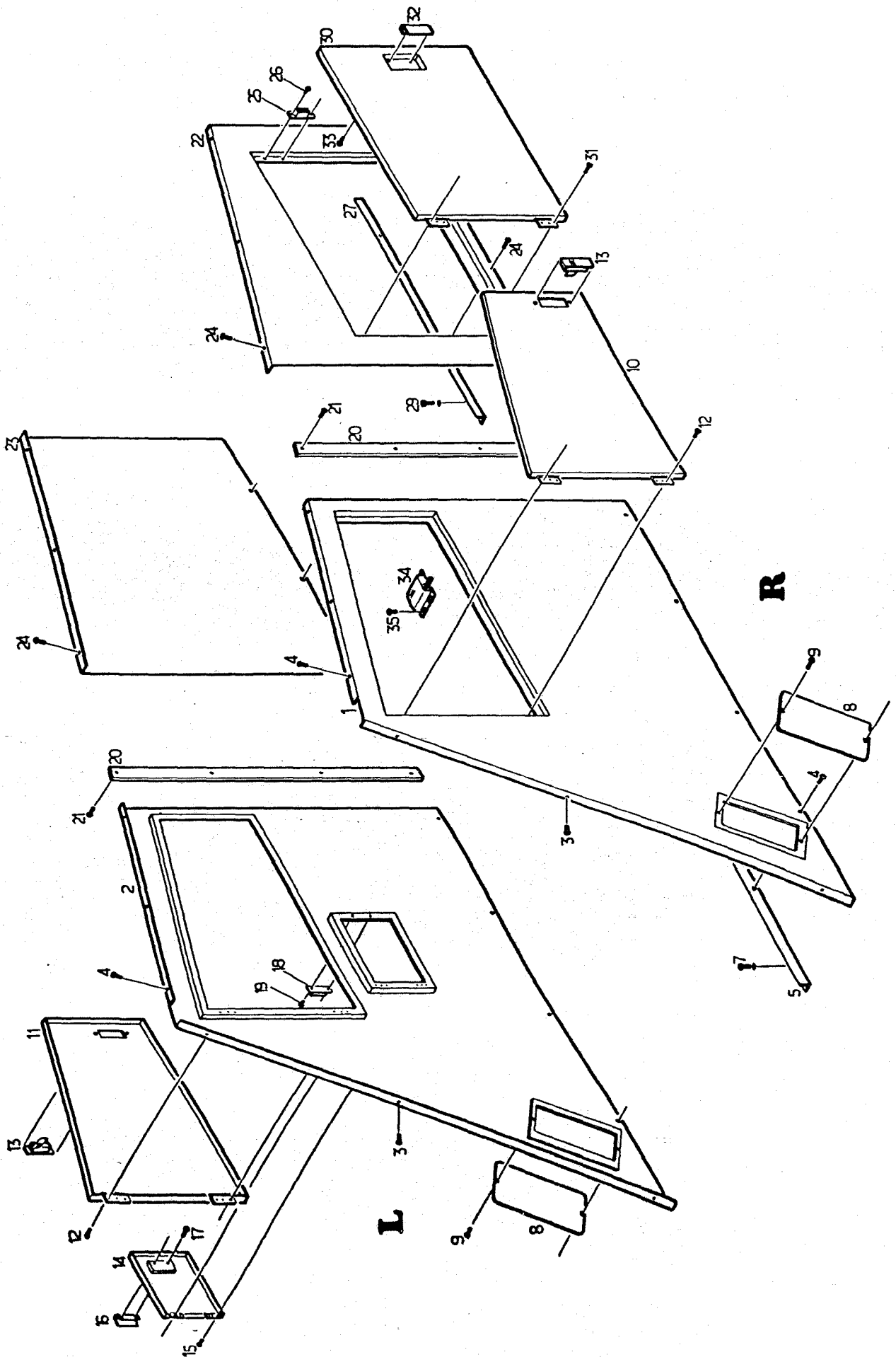
| ASSY. NO. *301 | | ASSY. NAME HOPPER ASSY. | | |
|----------------|-------------|-------------------------|------|---------------|
| PART NO. | DRAWING NO. | PART NAME | Q'TY | REMARKS |
| 301 - 11 | | SOCKET SCREW | 3 | M5x12 |
| 301 - 12 | 250341 | FRONT COVER | 1 | R |
| 301 - 13 | 350638 | FRONT COVER | 1 | L |
| 301 - 14 | | SOCKET SCREW | 5 | M5x12 |
| 301 - 16 | | HEX. BOLT | 6 | M8x25 W+SW |
| 301 - 20 | | FLANGE UNIT | 2 | UCFL-204 |
| 301 - 21 | | HEX. BOLT | 4 | M10x20 W+SW+N |
| 301 - 32 | 350821 | CONTROL LEVER | 2 | |
| 301 - 33 | | KEY | 2 | 6x6x20 |
| 301 - 34 | | SET SCREW | 4 | M6x6 |
| 301 - 35 | 350903 | BOBBIN CONTROL PLATE | 1 | |
| 301 - 36 | | HEX. BOLT | 4 | M6x10 W+SW |
| 301 - 42 | 350908 | UNDER HOPPER COVER | 1 | |
| 301 - 43 | 150160 | HOPPER | 1 | |
| 301 - 44 | 350910 | HOPPER BASE | 1 | |
| 301 - 45 | 350911 | STOPPER COVER | 1 | |
| 301 - 46 | | F.H. SCREW | 4 | M5x10 |
| 301 - 47 | 350909 | CONTROL PLATE SHAFT | 1 | |
| 301 - 48 | | STOP RING | 3 | S-20 |
| 301 - 49 | 450499 | STOPPER LEVER | 1 | |
| 301 - 50 | | HEX. BOLT | 1 | M10x30 |
| 301 - 51 | 450498 | STOPPER | 2 | |
| 301 - 52 | | CAP SCREW | 2 | M6x15 |
| 301 - 53 | | MICRO SWITCH | 1 | |

*302 CONTROL PANEL ASSY.



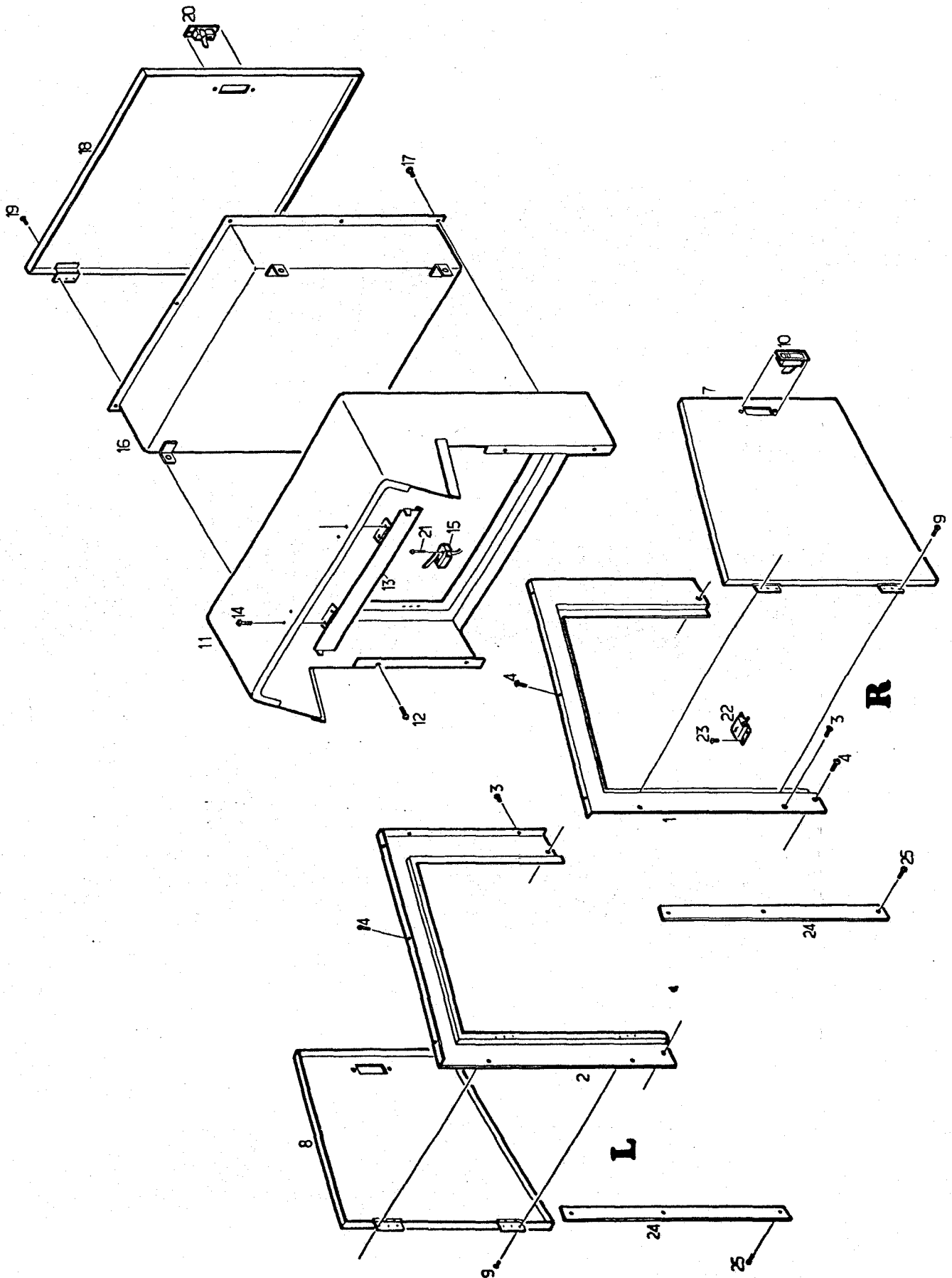
| ASSY. NO. * 302 | | ASSY. NAME CONTROL PANEL ASSY. | | |
|-----------------|-------------|--------------------------------|------|----------------|
| PART NO. | DRAWING NO. | PART NAME | Q'TY | REMARKS |
| 302 - 2 | | HEX. BOLT | 4 | M8 x 25 W+SW |
| 302 - 3 | 350591 | CONTROL PANEL PLATE | 1 | WITH HINGE |
| 302 - 4 | | SOCKET SCREW | 6 | M5 x 12 |
| 302 - 5 | 450125 | BREAKER BRACKET | 1 | |
| 302 - 6 | | HEX. BOLT | 2 | M5 x 15 W+SW |
| 302 - 7 | 430405 H | TAPE | 1 | WITH SET PLATE |
| 302 - 8 | | HEX. BOLT | 2 | M6 x 25 W+SW+N |
| 302 - 10 | | HEX. BOLT | 8 | M5 x 12 W+SW |
| 302 - 11 | 350590 | CONTROL PANEL COVER | 1 | |
| 302 - 12 | | SOCKET SCREW | 2 | M6 x 30 |
| 302 - 14 | | HEX. BOLT | 2 | M5 x 12 W+SW |
| 302 - 16 | | SOCKET SCREW | 4 | M5 x 12 |
| 302 - 19 | | HEX. BOLT | 2 | M8 x 25 W+SW |
| 302 - 21 | | SOCKET SCREW | 5 | M5 x 12 W+SW+N |
| 302 - 24 | 350823 | CONVEYOR EXHAUST PORT PLATE | 1 | |
| 302 - 26 | 350880 | PANEL UNDER COVER B | 1 | |
| 302 - 27 | 250525 | CONTROL BOX | 1 | |
| 302 - 28 | 250463 | PANEL UNDER COVER | 1 | |
| 302 - 29 | 250512 | CONVEYOR EXHAUST PORT | 1 | |
| 302 - 30 | 250346 | CONTROL PANEL | 1 | |

303 SIDE COVER.DOOR.ASSY.



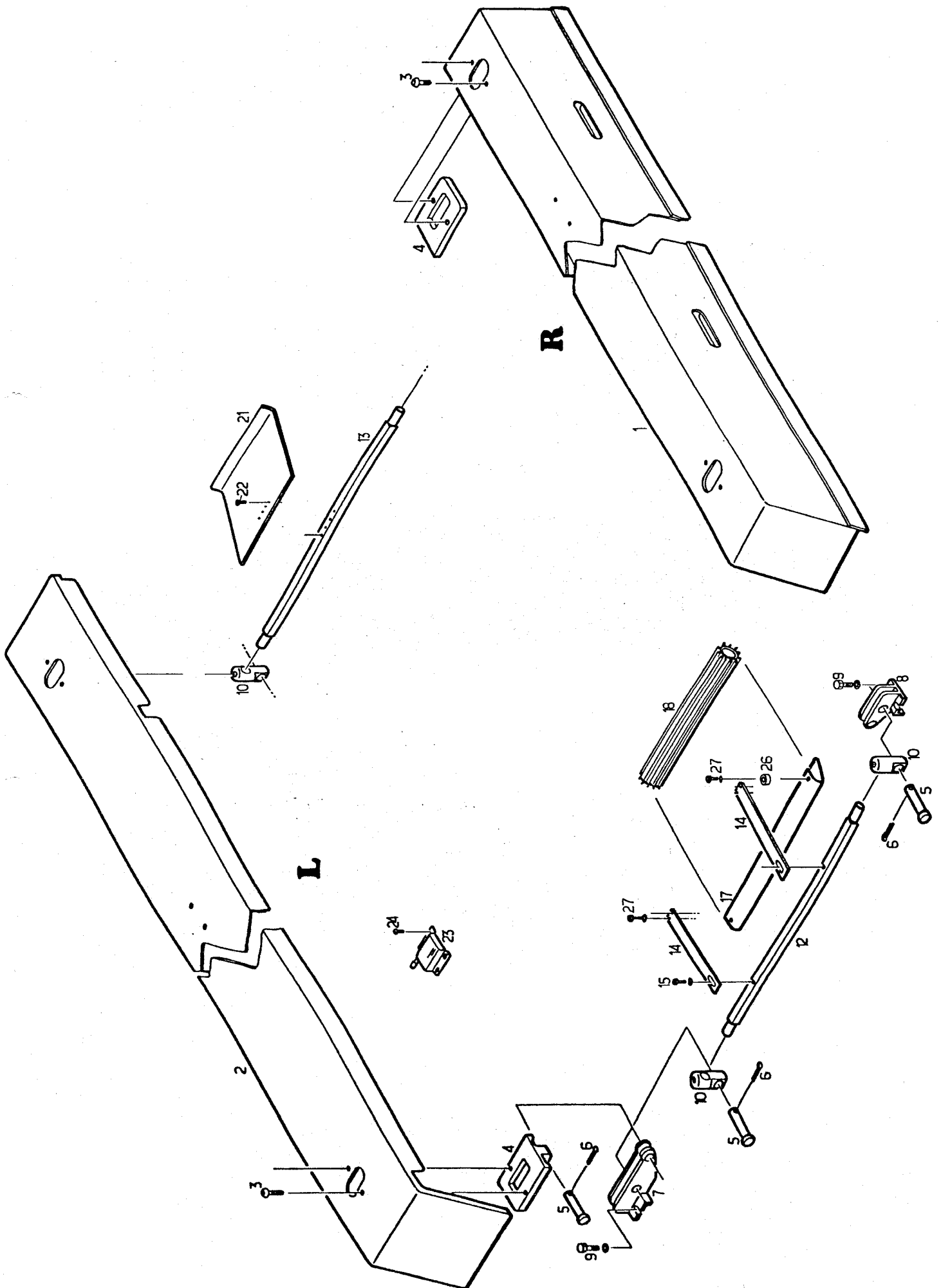
| ASSY. NO. 303 | | ASSY. NAME SIDE COVER, DOOR ASSY. | | |
|---------------|-------------|-----------------------------------|------|--------------------|
| PART NO. | DRAWING NO. | PART NAME | Q'TY | REMARKS |
| 303 - 1 | 250338 | FRONT SIDE COVER | 1 | R |
| 303 - 2 | 250388 | FRONT SIDE COVER | 1 | L |
| 303 - 3 | | F.H. SCREW | 6 | M 4 x 8 |
| 303 - 4 | | SOCKET SCREW | 14 | M 5 x 12 |
| 303 - 5 | 350670 | SIDE COVER BRACKET | 1 | R |
| 303 - 7 | | HEX. BOLT | 4 | M 5 x 12 W + SW |
| 303 - 8 | 350573 | FRONT SIDE CAP | 2 | |
| 303 - 9 | | SOCKET SCREW | 4 | M 5 x 12 |
| 303 - 10 | 350572 A | FRONT SIDE DOOR | 1 | |
| 303 - 11 | 350572 B | FRONT SIDE DOOR | 1 | |
| 303 - 12 | | SOCKET SCREW | 12 | M 5 x 12 |
| 303 - 13 | A - 150 - 2 | DOOR KNOB | 2 | WITH SCREW |
| 303 - 14 | 350664 B | DUCT BOX DOOR | 1 | |
| 303 - 15 | | SOCKET SCREW | 6 | M 5 x 12 |
| 303 - 16 | A - 5 - 2 | DOOR KNOB | 1 | |
| 303 - 17 | | HEX. BOLT | 2 | M 5 x 10 SW |
| 303 - 18 | C-100A-2 | MAGNET | 1 | |
| 303 - 19 | | R.H. SCREW | 2 | M 4 x 8 W + SW + N |
| 303 - 20 | 350584 A | COVER PLATE | 2 | |
| 303 - 21 | | SOCKET SCREW | 8 | M 5 x 12 |
| 303 - 22 | 250342 | ROVING BOX COVER | 1 | |
| 303 - 23 | 350581 | MIDDLE SIDE COVER | 1 | |
| 303 - 24 | | SOCKET SCREW | 10 | M 5 x 12 |
| 303 - 25 | C-100A-2 | MAGNET | 2 | |
| 303 - 26 | | R.H. SCREW | 4 | M 4 x 6 W + SW |
| 303 - 27 | 350671 | SIDE COVER BRACKET | 1 | R |
| 303 - 29 | | HEX. BOLT | 3 | M 5 x 12 W + SW |
| 303 - 30 | 350583 | ROVING BOX DOOR | 1 | |
| 303 - 31 | | SOCKET SCREW | 6 | M 5 x 12 |
| 303 - 32 | A-190-1-1 | DOOR KNOB | 1 | |
| 303 - 33 | | HEX. BOLT | 2 | M 6 x 12 W + SW |
| 303 - 34 | | DOOR SWITCH | 2 | |
| 303 - 35 | | R.H. SCREW | 8 | M 4 x 8 SW |

304 BACK COVER.DOOR.ASSY.



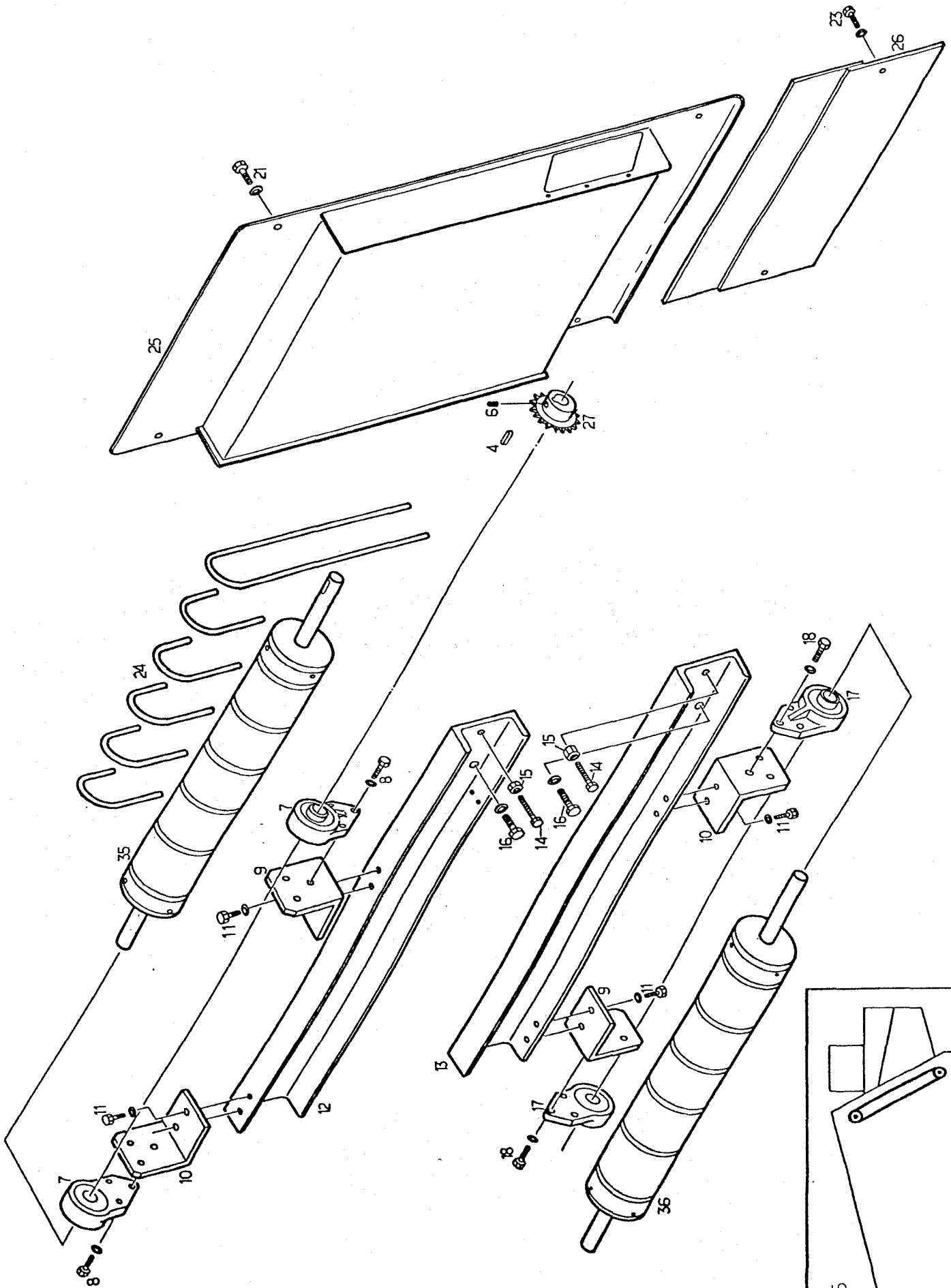
| ASSY. NO. 304 | | ASSY. NAME BACK COVER, DOOR ASSY. | | |
|---------------|-------------|-----------------------------------|------|-----------------|
| PART NO. | DRAWING NO. | PART NAME | Q'TY | REMARKS |
| 304 - 1 | 250337 A | BACK SIDE COVER | 1 | R |
| 304 - 2 | 250337 B | BACK SIDE COVER | 1 | L |
| 304 - 3 | | F.H. SCREW | 8 | M 4 x 8 |
| 304 - 4 | | SOCKET SCREW | 10 | M 5 x 12 |
| 304 - 7 | 350530 A | BACK SIDE DOOR | 1 | R |
| 304 - 8 | 350530 B | BACK SIDE DOOR | 1 | L |
| 304 - 9 | | SOCKET SCREW | 12 | M 5 x 12 |
| 304 - 10 | A-150-2 | DOOR KNOB | 2 | WITH SCREW |
| 304 - 11 | 150069 B | BACK COVER | 1 | |
| 304 - 12 | | HEX. BOLT | 4 | M 6 x 25 W + SW |
| 304 - 13 | 350659 | BOBBIN GUIDE PLATE | 1 | WITH HINGE |
| 304 - 14 | | SOCKET SCREW | 4 | M 5 x 12 |
| 304 - 15 | | MICRO SWITCH | 1 | |
| 304 - 16 | 150115 B | CONTROL BOX | 1 | |
| 304 - 17 | | F.H. SCREW | 8 | M 4 x 10 |
| 304 - 18 | 250343 | BACK DOOR | 1 | |
| 304 - 19 | | SOCKET SCREW | 6 | M 5 x 12 |
| 304 - 20 | A-150-2 | DOOR KNOB | 1 | |
| 304 - 21 | | R.H. SCREW | 2 | M 4 x 30 W + SW |
| 304 - 22 | | DOOR SWITCH | 2 | |
| 304 - 23 | | R.H. SCREW | 8 | M 4 x 8 SW |
| 304 - 24 | 350584 B | COVER PLATE | 2 | |
| 304 - 25 | | SOCKET SCREW | 6 | M 5 x 12 |

305 TOP COVER, TOP BOBBIN GUIDE ASSY.



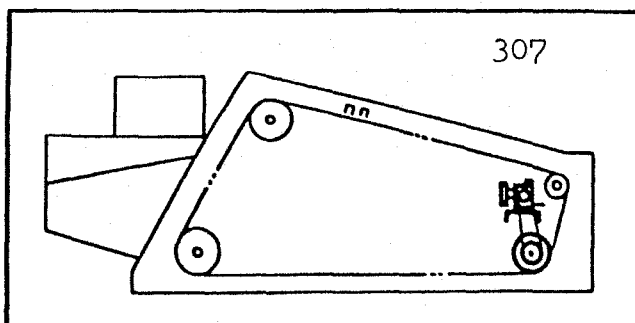
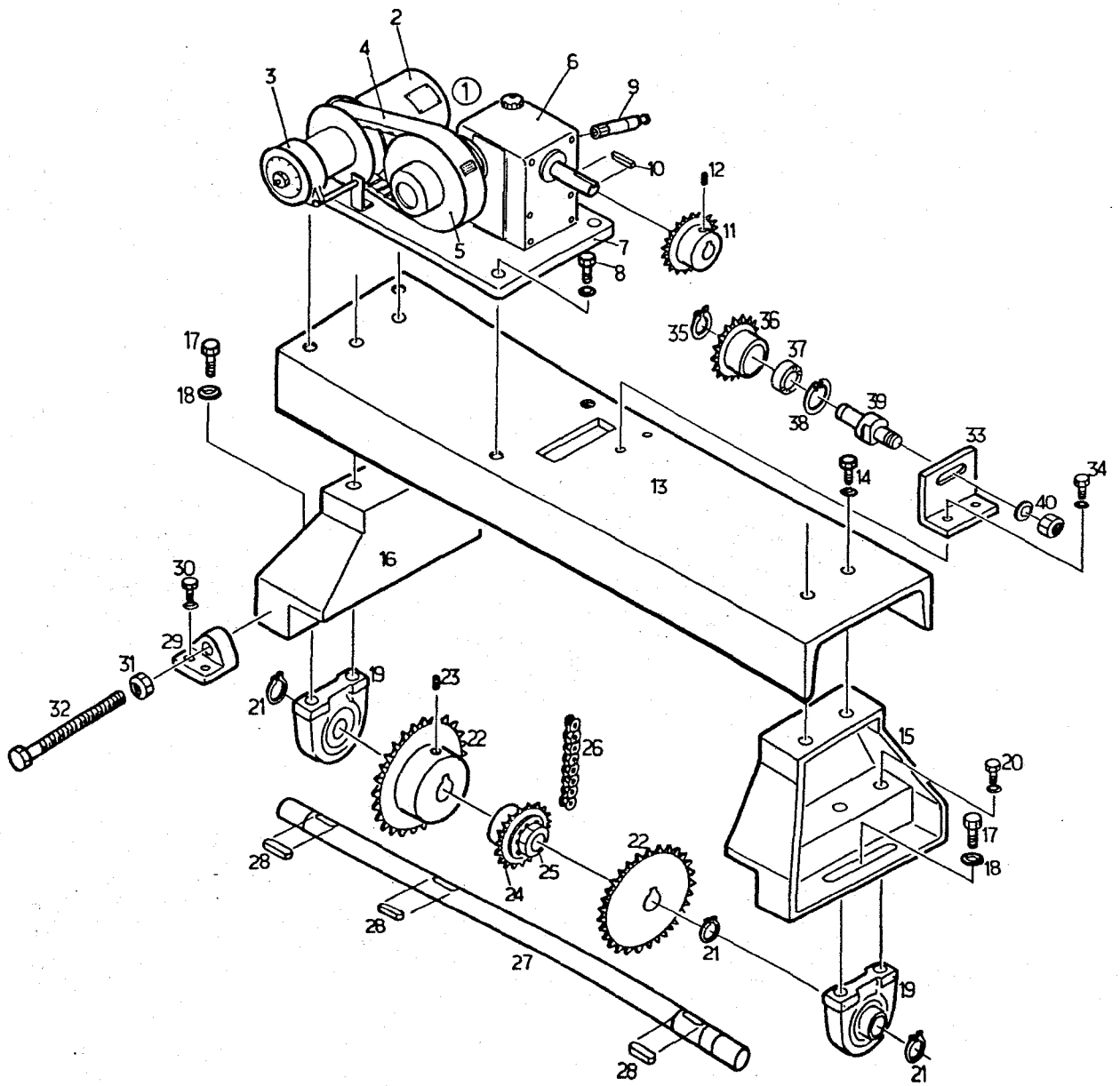
| ASSY. NO. 305 | | ASSY. NAME TOP COVER, TOP BOBBIN GUIDE ASSY. | | |
|---------------|-------------|--|------|-----------------|
| PART NO. | DRAWING NO. | PART NAME | Q'TY | REMARKS |
| 305 - 1 | 2AL50016 B | TOP COVER | 1 | R |
| 305 - 2 | 2AL50017 B | TOP COVER | 1 | L |
| 305 - 3 | | SOCKET SCREW | 12 | M 8 x 20 |
| 305 - 4 | 350576 | COVER BRACKET C | 6 | |
| 305 - 5 | 450134 A | HINGE PIN | 10 | |
| 305 - 6 | | SPLIT PIN | 10 | Ø 2.5 x 20 |
| 305 - 7 | 350654 | COVER BRACKET B | 3 | L |
| 305 - 8 | 350574 | COVER BRACKET A | 3 | R |
| 305 - 9 | | HEX. BOLT | 12 | M 8 x 25 W + SW |
| 305 - 10 | 450372 | HOLDER | 4 | |
| 305 - 11 | | SET SCREW | 2 | M 8 x 8 |
| 305 - 12 | 350519 B | BRAKE SET BAR | 1 | |
| 305 - 13 | 350519 A | BRAKE SET BAR | 1 | |
| 305 - 14 | 450490 | PLATE SPRING | 2 | |
| 305 - 15 | | HEX. BOLT | 2 | M 6 x 12 W + SW |
| 305 - 27 | | HEX. BOLT | 2 | M 5 x 20 W + SW |
| 305 - 17 | 350694 | WING CLEARER PLATE | 1 | |
| 305 - 18 | 350644 | WING CLEARER | 1 | |
| 305 - 21 | 350697 | BRAKE PLATE | 1 | |
| 305 - 22 | | F.H. SCREW | 2 | M 6 x 10 |
| 305 - 23 | | DOOR SWITCH | 2 | |
| 305 - 24 | | R.H. SCREW | 8 | M 4 x 8 SW |
| 305 - 26 | 450472 B | WING CLEARER WASHER | 2 | |

306 ROLL BACK BELT ASSY.



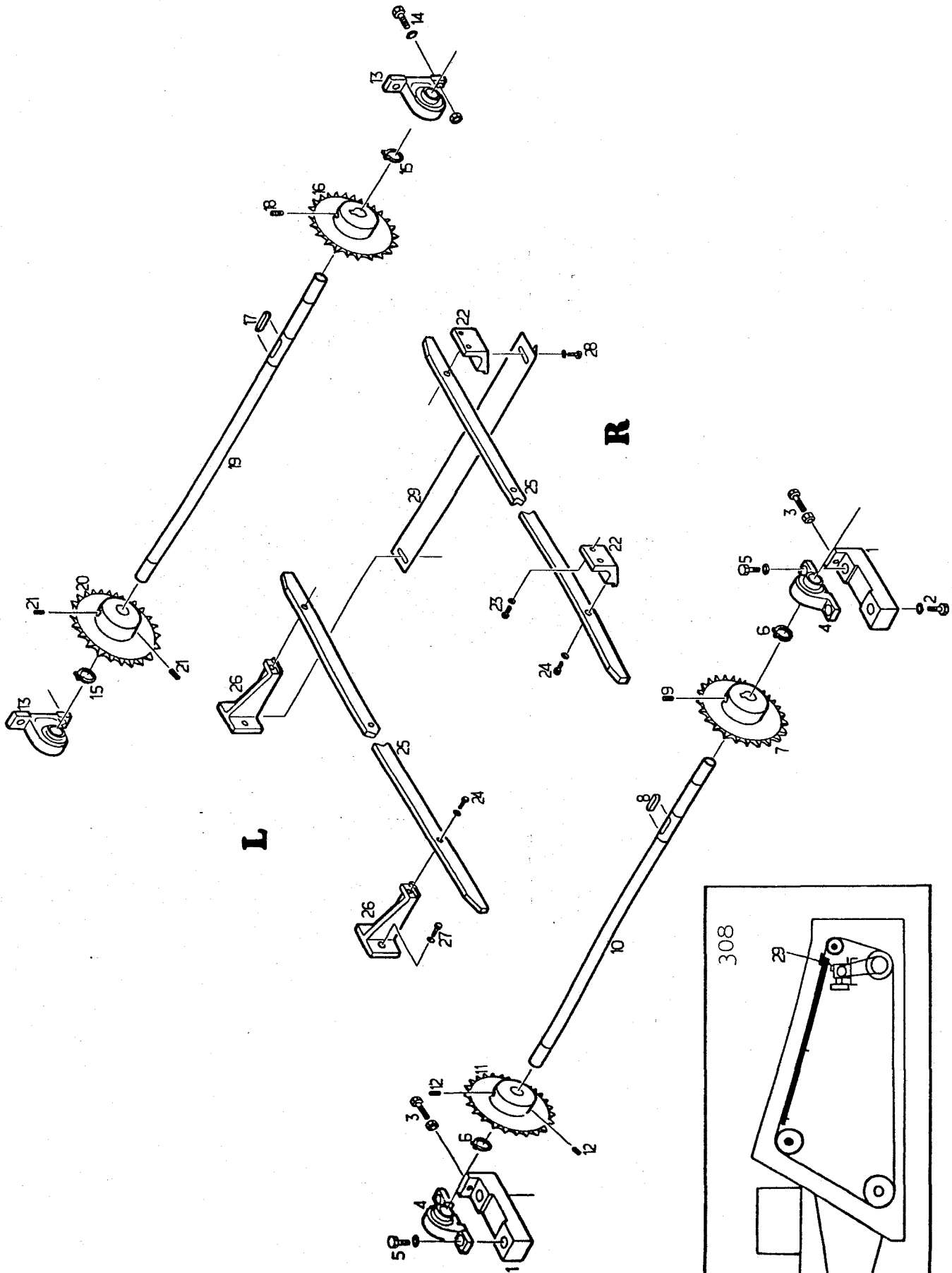
| ASSY. NO. 306 | | ASSY. NAME ROLL BACK BELT ASSY. | | |
|---------------|-------------|---------------------------------|------|------------------|
| PART NO. | DRAWING NO. | PART NAME | Q'TY | REMARKS |
| 306 - 35 | 350904 | ROLL BACK BELT PULLEY | 1 | For TOP |
| 306 - 36 | 350905 | ROLL BACK BELT PULLEY | 1 | For BOTTOM |
| 306 - 4 | | KEY | 1 | 7 x 7 x 15 |
| 306 - 27 | 350623 G | SPROCKET | 1 | 3/8" x 17T |
| 306 - 6 | | SET SCREW | 1 | M 6 x 6 |
| 306 - 7 | | FLANGE UNIT | 2 | UCFB-204 |
| 306 - 8 | | HEX. BOLT | 6 | M 8 x 20 W + SW |
| 306 - 9 | 350633 C | FLANGE UNIT BRACKET | 2 | |
| 306 - 10 | 350633 D | FLANGE UNIT BRACKET | 2 | |
| 306 - 11 | | HEX. BOLT | 8 | M 8 x 25 W + SW |
| 306 - 12 | 350706 D | ROLL BACK BELT BRACKET | 1 | |
| 306 - 13 | 350706 C | ROLL BACK BELT BRACKET | 1 | |
| 306 - 14 | | ADJUST BOLT | 4 | M 8 x 40 |
| 306 - 15 | | HEX. NUT | 4 | M 8 |
| 306 - 16 | | HEX. BOLT | 4 | M 10 x 35 W + SW |
| 306 - 17 | | FLANGE UNIT | 2 | UCFB-204 |
| 306 - 18 | | HEX. BOLT | 6 | M 8 x 20 W + SW |
| 306 - 21 | | SOCKET SCREW | 4 | M 8 x 20 |
| 306 - 26 | 350817 C | WASTE YARN COVER | 1 | |
| 306 - 23 | | R.H. SCREW | 4 | M 5 x 8 |
| 306 - 24 | | ROLL BACK BELT | 6 | ø 8 x 2500 L |
| 306 - 25 | 150080 | DUCK FRAME | 1 | |

307 BOBBIN CARRIER DRIVING ASSY.



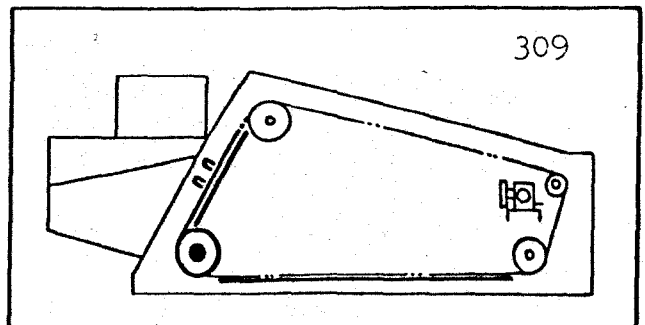
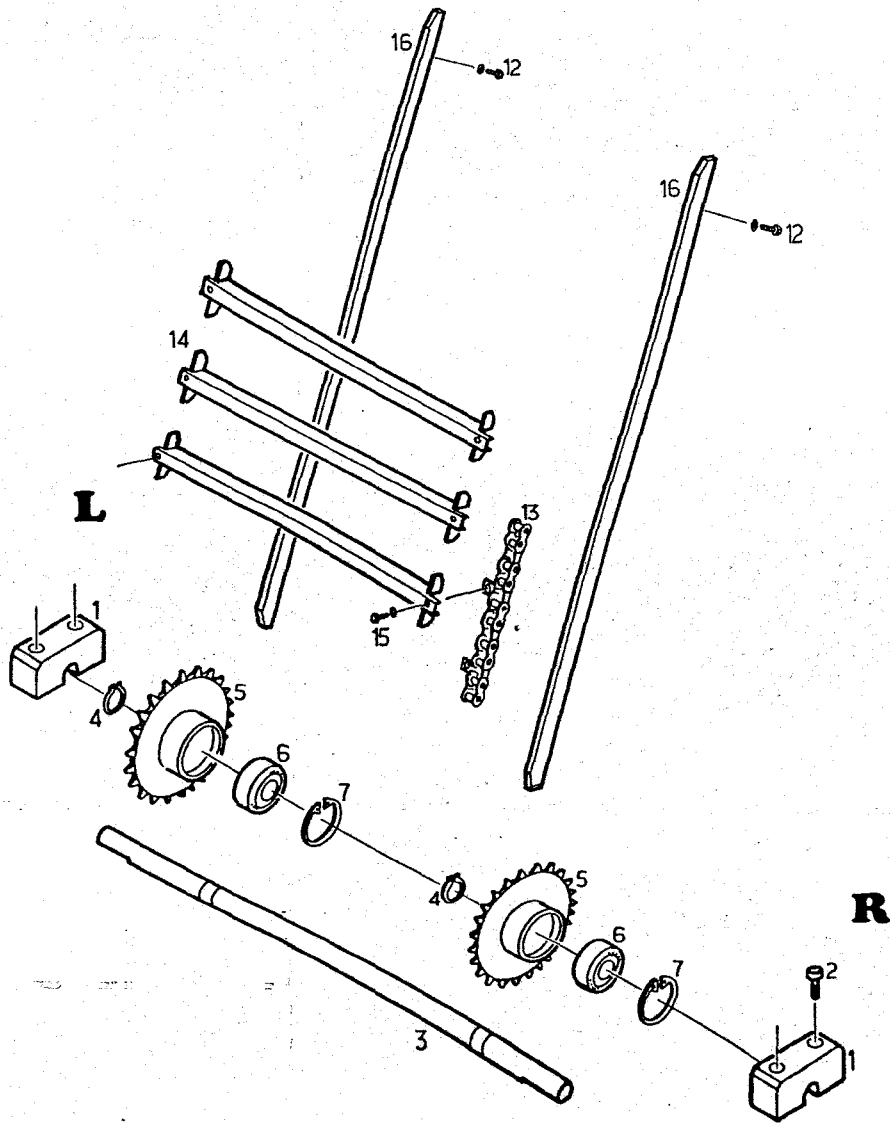
| ASSY. NO. 307 | | ASSY. NAME BOBBIN CARRIER DRIVING ASSY. | | |
|---------------|-------------|---|-------|------------------|
| PART NO. | DRAWING NO. | PART NAME | Q'TY | REMARKS |
| 307 - 1 | VWD-2300 | POWER UNIT COMPLETE | 1 SET | (307-2 ~ 7) |
| 307 - 2 | | MOTOR | 1 | 0.2 KW x 4 P |
| 307 - 3 | | SPEED CHANGE HANDLE | 1 | WITH STOPPER |
| 307 - 4 | | SPECIAL V-BELT | 1 | RCVS-160583 |
| 307 - 5 | | VALI PITCH PULLEY | 1 | VM-K |
| 307 - 6 | | SPEED REDUCER | 1 | TWD-2300 |
| 307 - 7 | 350530 | POWER UNIT BASE | 1 | |
| 307 - 8 | | HEX. BOLT | 4 | M 10 x 35 W + SW |
| 307 - 9 | 450446 | OIL DRAIN COMPLETE | 1 | |
| 307 - 10 | | KEY | 1 | |
| 307 - 11 | 350476 C | SPROCKET | 1 | 1/2" x 17 T |
| 307 - 12 | | SET SCREW | 1 | M 6 x 10 |
| 307 - 13 | 250404 C | CARRIER DRIVE BASE | 1 | |
| 307 - 14 | | HEX. BOLT | 4 | M 10 x 30 W + SW |
| 307 - 15 | 150114 A | CARRIER DRIVE BRACKET | 1 | R |
| 307 - 16 | 150114 B | CARRIER DRIVE BRACKET | 1 | L |
| 307 - 17 | | HEX. BOLT | 2 | M 12 x 35 SW |
| 307 - 18 | 445033 C | SPECIAL WASHER | 2 | |
| 307 - 19 | | PILLOW BLOCK | 2 | UCPA-206 |
| 307 - 20 | | HEX. BOLT | 4 | M 10 x 30 W + SW |
| 307 - 21 | | STOP RING | 4 | S-30 |
| 307 - 22 | 350472 A | SPROCKET | 2 | 3/4" x 32 T |
| 307 - 23 | | SET SCREW | 2 | M 8 x 10 |
| 307 - 24 | 460587 B | SPROCKET | 1 | 1/2" x 26 T |
| 307 - 25 | 460587 B | TORQUE LIMITER | 1 | TL-350-1 |
| 307 - 26 | | CHAIN | 1 | 1/2" x 65 LINKS |
| 307 - 27 | 350709 | CARRIER DRIVING SHAFT | 1 | |
| 307 - 28 | | KEY | 3 | 10 x 8 x 30 |
| 307 - 29 | 450344 | TENSION BRACKET | 2 | |
| 307 - 30 | | HEX. BOLT | 4 | M 8 x 25 W + SW |
| 307 - 31 | | HEX. NUT | 2 | M 12 |
| 307 - 32 | | HEX. BOLT | 2 | M 12 x 150 |
| 307 - 33 | 450343 | TENSION STUD BRACKET | 1 | |
| 307 - 34 | | HEX. BOLT | 2 | M 10 x 20 W + SW |
| 307 - 35 | | STOP RING | 1 | S-15 |
| 307 - 36 | 445023 | TENSION SPROCKET | 1 | 1/2" x 14 T |
| 307 - 37 | | BALL BEARING | 1 | 6002 ZZ |
| 307 - 38 | | STOP RING | 1 | H-32 |
| 307 - 39 | 445024 A | TENSION STUD | 1 | |
| 307 - 40 | | HEX. NUT | 1 | M 12 W + SW |

308 BOBBIN CARRIER GUIDE SHAFT ASSY.



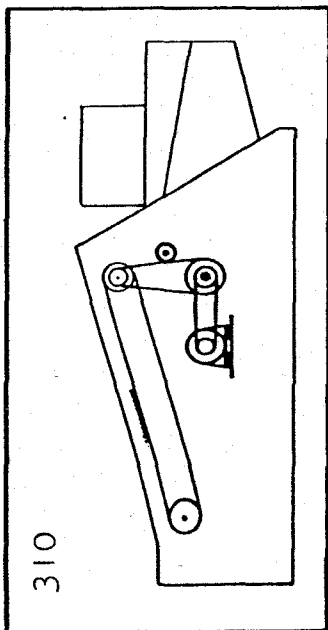
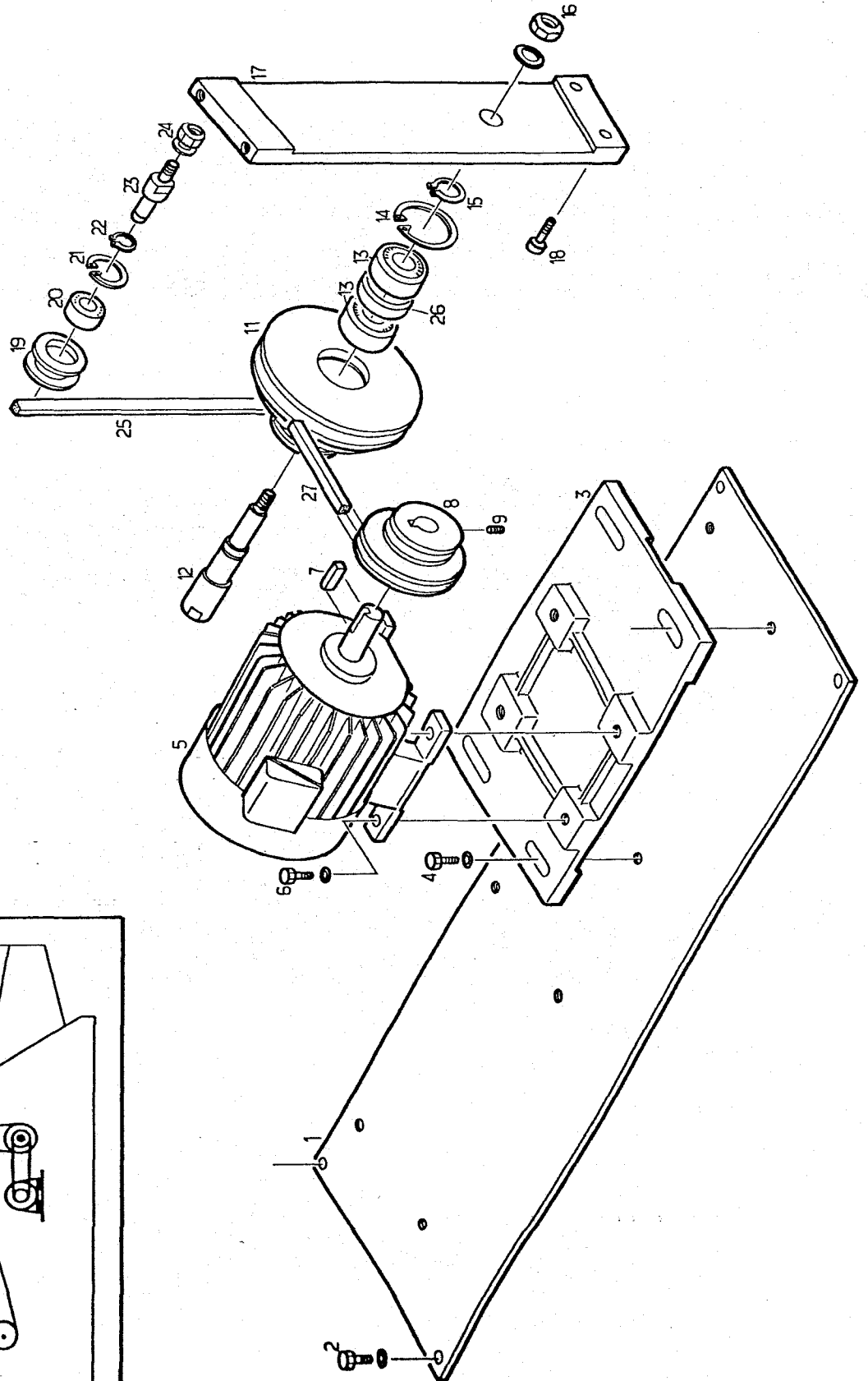
| ASSY. NO. 308 | | ASSY. NAME BOBBIN CARRIER GUIDE SHAFT ASSY. | | |
|---------------|-------------|---|------|---------------------|
| PART NO. | DRAWING NO. | PART NAME | Q'TY | REMARKS |
| 308 - 1 | 350613 | PILLOW STAND | 2 | |
| 308 - 2 | | HEX. BOLT | 4 | M 10 x 25 W + SW |
| 308 - 3 | | HEX. BOLT | 2 | M 6 x 25 N |
| 308 - 4 | | PILLOW BLOCK | 2 | UCP-205 |
| 308 - 5 | | HEX. BOLT | 4 | M 6 x 25 W + SW |
| 308 - 6 | | STOP RING | 4 | S-25 |
| 308 - 7 | 350539 A | SPROCKET | 1 | 3/4" x 32 T |
| 308 - 8 | | KEY | 1 | 7 x 7 x 30 |
| 308 - 9 | | SET SCREW | 1 | M 8 x 10 |
| 308 - 10 | 350685 | CARRIER TOP SHAFT | 1 | |
| 308 - 11 | 350686 A | SPROCKET | 1 | 3/4" x 32 T |
| 308 - 12 | | SET SCREW | 2 | M 8 x 10 |
| 308 - 13 | | PILLOW BLOCK | 2 | UCPH-205 |
| 308 - 14 | | HEX. BOLT | 4 | M 8 x 25 W + SW + N |
| 308 - 15 | | STOP RING | 4 | S-25 |
| 308 - 16 | 350540 A | SPROCKET | 1 | 3/4" x 23 T |
| 308 - 17 | | KEY | 1 | 7 x 7 x 30 |
| 308 - 18 | | SET SCREW | 1 | M 8 x 10 |
| 308 - 19 | 350685 | CARRIER MIDDLE SHAFT | 1 | |
| 308 - 20 | 350687 A | SPROCKET | 1 | 3/4" x 23 T |
| 308 - 21 | | SET SCREW | 2 | M 8 x 10 |
| 308 - 22 | 350519 | CHAIN GUIDE BRACKET | 3 | R |
| 308 - 23 | | HEX. BOLT | 6 | M 6 x 20 SW |
| 308 - 24 | | HEX. BOLT | 12 | M 6 x 20 SW |
| 308 - 25 | 350523 | CHAIN GUIDE | 2 | TOP SIDE |
| 308 - 26 | 350520 | CHAIN GUIDE BRACKET | 3 | L |
| 308 - 27 | | HEX. BOLT | 6 | M 6 x 20 SW |
| 308 - 28 | | HEX. BOLT | 2 | M 5 x 12 W + SW |
| 308 - 29 | 450360 | EXHAUST PORT GUIDE PLATE | 1 | |

309 BOBBIN CARRIER GUIDE SHAFT ASSY.



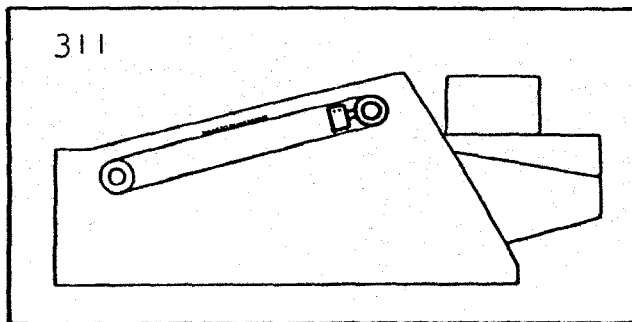
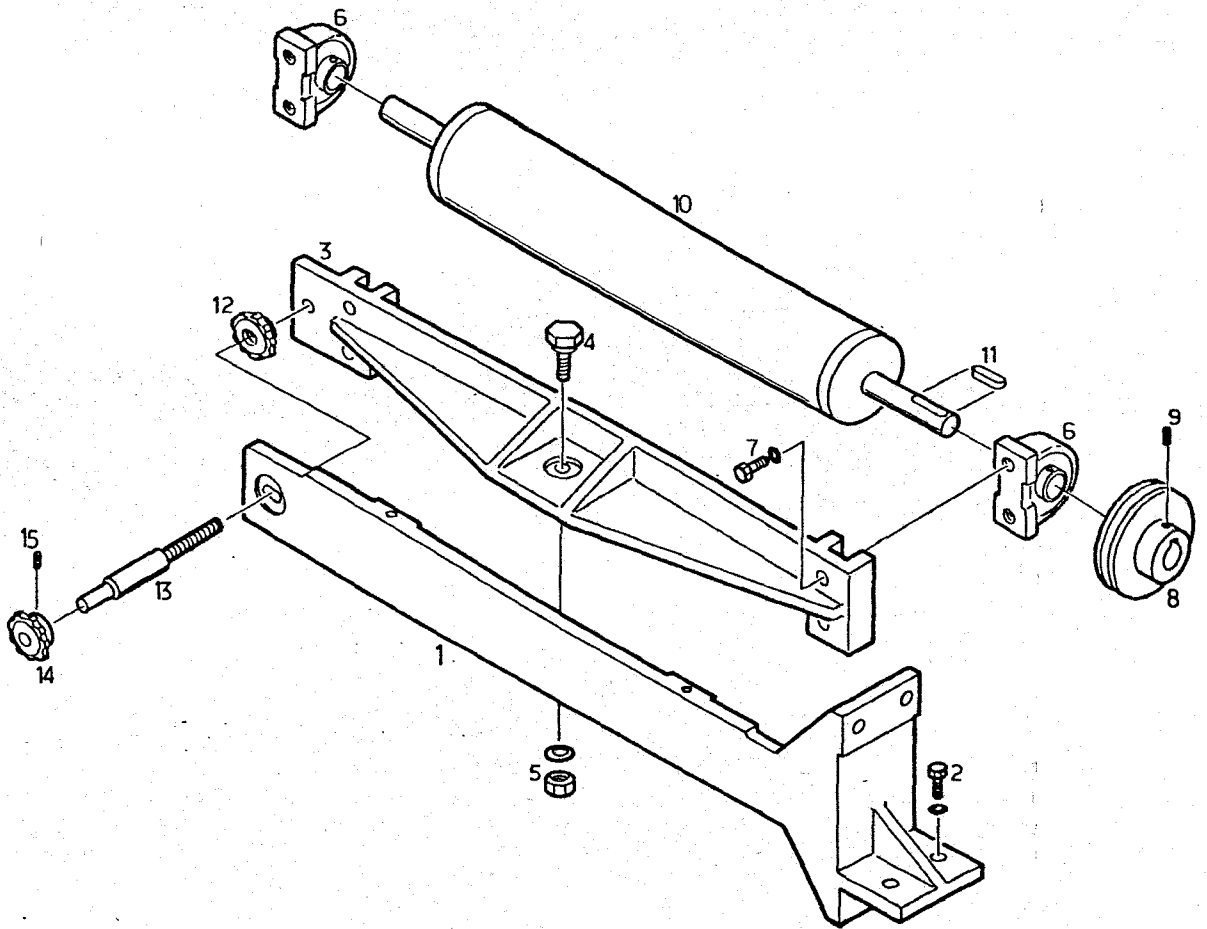
| ASSY. NO. 309 | | ASSY. NAME BOBBIN CARRIER GUIDE SHAFT ASSY. | | |
|---------------|-------------|---|------|------------------|
| PART NO. | DRAWING NO. | PART NAME | Q'TY | REMARKS |
| 309 - 1 | 350652 | SHAFT STOPPER BRACKET | 2 | |
| 309 - 2 | | CAP SCREW | 4 | M 10 x 35 |
| 309 - 3 | 350708 | CARRIER UNDER SHAFT | 1 | |
| 309 - 4 | | STOP RING | 4 | S - 30 |
| 309 - 5 | 350707 | SPROCKET | 2 | 3/4" x 32 T |
| 309 - 6 | | BALL BEARING | 2 | 6306 ZZ |
| 309 - 7 | | STOP RING | 2 | H - 72 |
| 309 - 16 | 350695 | CHAIN GUIDE | 2 | |
| 309 - 12 | | HEX. BOLT | 4 | M 6 x 15 SW |
| 309 - 13 | 350528 | CARRIER CHAIN | 2 | 3/4" x 450 LINKS |
| 309 - 14 | 250325 | CARRIER | 90 | |
| 309 - 15 | | HEX. BOLT | 180 | M 5 x 10 SW |

310 BRUSHING BELT DRIVING ASSY.



| ASSY. NO. | 310 | ASSY. NAME | BRUSHING BELT DRIVING ASSY. | |
|-----------|-------------|----------------------|-----------------------------|-----------------|
| PART NO. | DRAWING NO. | PART NAME | Q'TY | REMARKS |
| 310 - 1 | 250401 B | DRIVING BASE | 1 | |
| 310 - 2 | | HEX. BOLT | 4 | M 8 x 16 W + SW |
| 310 - 3 | 350555 | MOTOR BASE | 1 | |
| 310 - 4 | | HEX. BOLT | 4 | M 8 x 25 W + SW |
| 310 - 5 | | MOTOR | 1 | 0.4 KW x 6 P |
| 310 - 6 | | HEX. BOLT | 4 | M 8 x 25 W + SW |
| 310 - 7 | | KEY | 1 | |
| 310 - 8 | 350660 | DOUBLE V-PULLEY | 1 | |
| 310 - 9 | | SET SCREW | 1 | M 6 x 6 |
| 310 - 27 | | V-BELT | 1 | A - 49" |
| 310 - 11 | 350606 | TRIPLE V-PULLEY | 1 | |
| 310 - 12 | 350607 | PULLEY SHAFT | 1 | |
| 310 - 13 | | BALL BEARING | 2 | 6004 ZZ |
| 310 - 14 | | STOP RING | 1 | H - 32 |
| 310 - 15 | | STOP RING | 1 | S - 20 |
| 310 - 16 | | HEX. NUT | 1 | M 12 W + SW |
| 310 - 17 | 250362 | PULLEY SHAFT BRACKET | 1 | |
| 310 - 18 | | CAP SCREW | 4 | M 8 x 20 |
| 310 - 19 | 450391 | TENSION PULLEY | 1 | |
| 310 - 20 | | BALL BEARING | 1 | 6201 ZZ |
| 310 - 21 | | STOP RING | 1 | H - 32 |
| 310 - 22 | | STOP RING | 1 | S - 12 |
| 310 - 23 | 450392 | TENSION STUD | 1 | |
| 310 - 24 | | HEX. NUT | 1 | M 8 W + SW |
| 310 - 25 | | V-BELT | 1 | A - 36" |
| 310 - 26 | 450390 | COLLAR | 1 | |

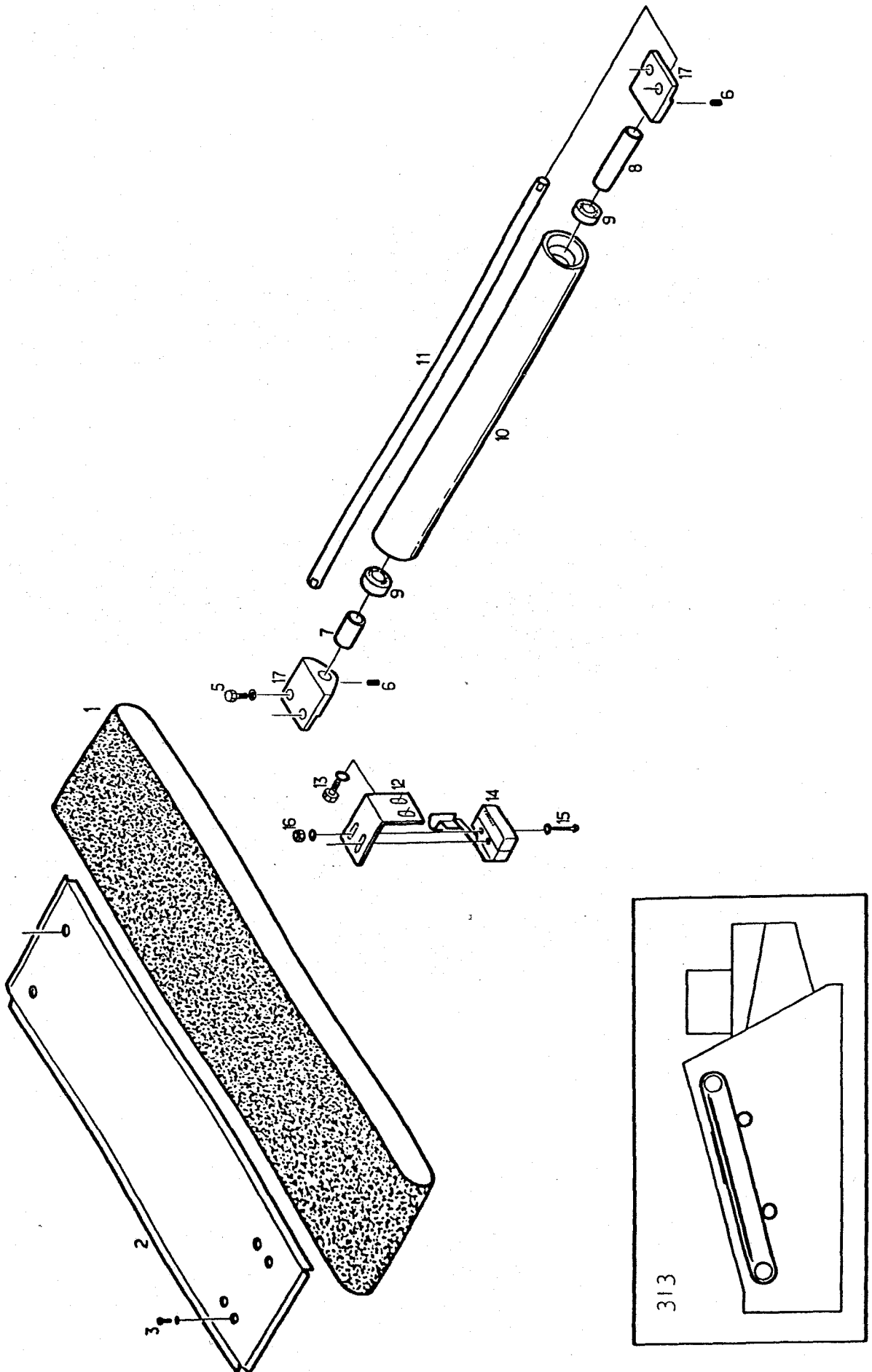
311 FRONT BRUSHING BELT ROLLER ASSY.



| ASSY. NO. 311 | | ASSY. NAME FRONT BRUSHING BELT ROLLER ASSY. | | |
|---------------|-------------|---|------|------------------|
| PART NO. | DRAWING NO. | PART NAME | Q'TY | REMARKS |
| 311 - 1 | 250431 B | FRONT ROLLER BRACKET | 1 | |
| 311 - 2 | | HEX. BOLT | 4 | M 8 x 25 SW |
| 311 - 3 | 250323 A | GUIDE ROLLER BRACKET | 1 | |
| 311 - 4 | 450341 | SUPPORT PIN | 1 | |
| 311 - 5 | | HEX. NUT | 1 | M 10 SW |
| 311 - 6 | | PILLOW BLOCK | 2 | UCPA-205 |
| 311 - 7 | | HEX. BOLT | 4 | M 10 x 40 W + SW |
| 311 - 8 | 350405 G | V-PULLEY | 1 | |
| 311 - 9 | | SET SCREW | 1 | M 6 x 6 |
| 311 - 10 | 350514 | FRONT ROLLER | 1 | |
| 311 - 11 | | KEY | 1 | 7 x 7 x 30 |
| 311 - 12 | 450151 B | ROCK HANDLE | 1 | |
| 311 - 13 | 450416 B | ADJUST SCREW | 1 | |
| 311 - 14 | 450152 | HANDLE | 1 | |
| 311 - 15 | | SET SCREW | 2 | M 6 x 6 |

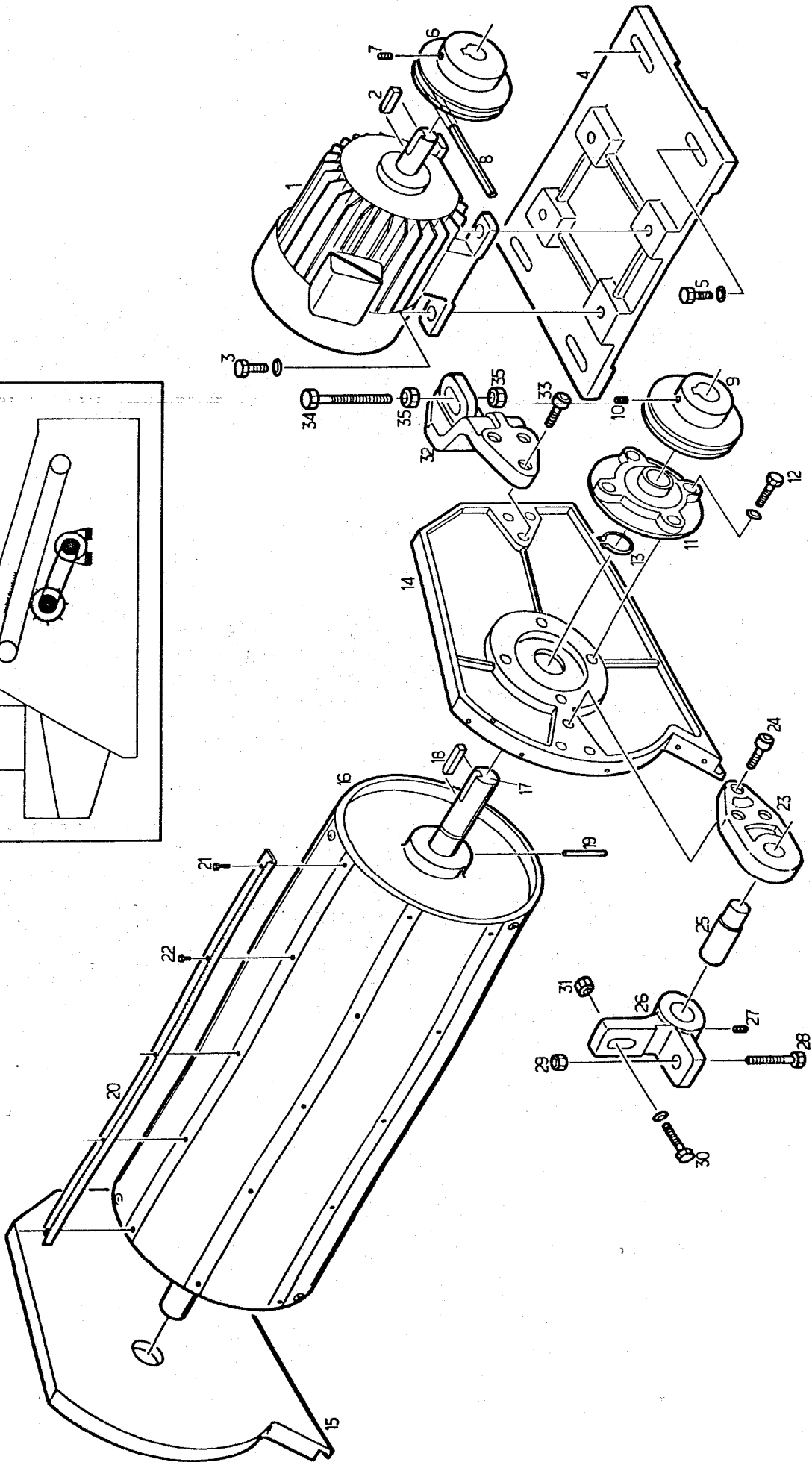
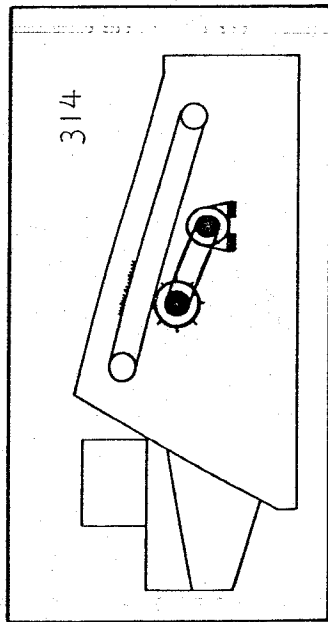
| ASSY. NO. 312 | | ASSY. NAME BACK BRUSHING BELT ROLLER ASSY. | | |
|---------------|-------------|--|------|------------------|
| PART NO. | DRAWING NO. | PART NAME | Q'TY | REMARKS |
| 312 - 1 | 250432 | BACK ROLLER BRACKET STAND | 1 | |
| 312 - 2 | | CAP SCREW | 4 | M 8 x 20 |
| 312 - 3 | 250430 B | BACK ROLLER BRACKET | 1 | |
| 312 - 4 | | HEX. BOLT | 4 | M 8 x 25 SW |
| 312 - 5 | 450109 | BEVEL SHAFT BRACKET | 1 | |
| 312 - 6 | | HEX. BOLT | 2 | M 8 x 25 W + SW |
| 312 - 7 | 450417 | BEVEL GEAR SHAFT | 1 | |
| 312 - 8 | 450041 | HANDLE | 1 | |
| 312 - 9 | | SET SCREW | 1 | M 6 x 6 |
| 312 - 10 | 350657 B | BEVEL GEAR | 1 | |
| 312 - 11 | 350657 A | BEVEL GEAR | 1 | |
| 312 - 12 | | SET SCREW | 2 | M 6 x 6 |
| 312 - 13 | | THRUST BALL BEARING | 1 | 51106 |
| 312 - 14 | 350634 | TENSION STUD | 1 | |
| 312 - 15 | 450145 | COLLAR | 1 | |
| 312 - 16 | | HEX. NUT | 1 | M 14 SW |
| 312 - 17 | 250322 | BACK ROLLER BRACKET | 1 | |
| 312 - 18 | 450341 | SUPPORT PIN | 1 | |
| 312 - 19 | | HEX. NUT | 1 | M 10 SW |
| 312 - 20 | 250323 B | GUIDE ROLLER BRACKET | 1 | |
| 312 - 21 | | PILLOW BLOCK | 2 | UCPA-205 |
| 312 - 22 | | HEX. BOLT | 4 | M 10 x 40 W + SW |
| 312 - 23 | 350515 | BACK ROLLER | 1 | |
| 312 - 24 | 450041 | HANDLE | 1 | |
| 312 - 25 | | SET SCREW | 4 | M 6 x 6 |
| 312 - 26 | 450123 C | CLAMP BOLT | 1 | |
| 312 - 27 | 350518 | LOCATOR BRACKET | 1 | |
| 312 - 28 | | HEX. BOLT | 2 | M 8 x 25 W + SW |
| 312 - 29 | 450485 | ADJUST SCREW COLLAR | 1 | |
| 312 - 30 | | SET SCREW | 2 | M 6 x 6 |
| 312 - 31 | 450416 A | ADJUST SCREW | 1 | |
| 312 - 32 | 450151 B | HANDLE | 1 | |
| 312 - 33 | 450041 | HANDLE | 1 | |

313 BRUSHING BELT ASSY.



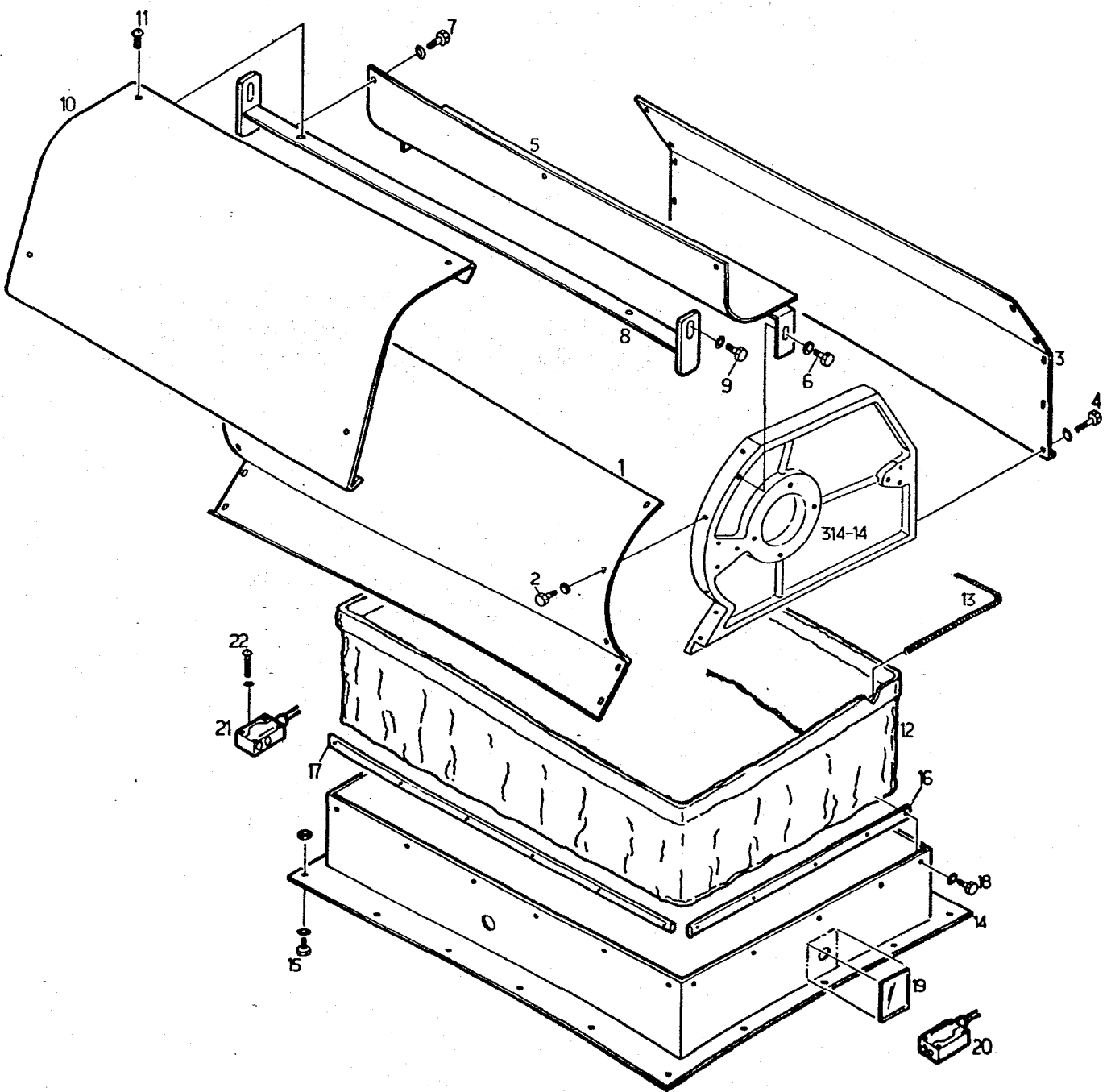
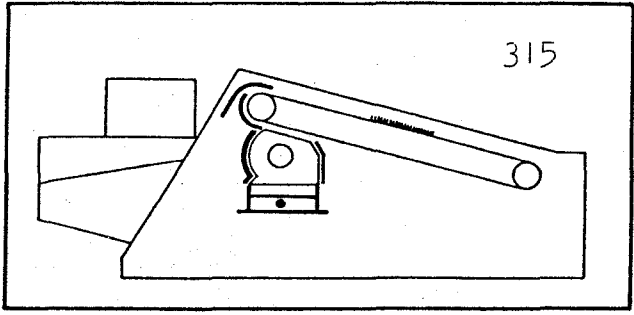
| ASSY. NO. 313 | | ASSY. NAME BRUSHING BELT ASSY. | | |
|---------------|-------------|--------------------------------|------|-------------------|
| PART NO. | DRAWING NO. | PART NAME | Q'TY | REMARKS |
| 313 - 1 | | BRUSHING BELT | 1 | 490 W x 4690 L |
| 313 - 2 | 250517 | GUIDE PLATE | 1 | |
| 313 - 3 | | HEX. BOLT | 6 | M 6 x 20 SW |
| 313 - 17 | 350689 | GUIDE ROLLER BRACKET | 4 | |
| 313 - 5 | | HEX. BOLT | 8 | M 6 x 20 W + SW |
| 313 - 6 | | SET SCREW | 4 | M 8 x 8. |
| 313 - 7 | 450342 A | COLLAR | 2 | R (SHORT) |
| 313 - 8 | 450342 B | COLLAR | 2 | L (LONG) |
| 313 - 9 | | BALL BEARING | 4 | 6002 zz |
| 313 - 10 | 350516 | GUIDE ROLLER | 2 | |
| 313 - 11 | 350511 | GUIDE ROLLER SHAFT | 2 | |
| 313 - 12 | 450421 | MICRO SWITCH BRACKET | 1 | FOR BRUSHING BELT |
| 313 - 13 | | HEX. BOLT | 2 | M 6 x 15 W + SW |
| 313 - 14 | | MICRO SWITCH | 1 | FOR BRUSHING BELT |
| 313 - 15 | | R.H. SCREW | 2 | M 4 x 35 W + SW |
| 313 - 16 | | HEX. NUT | 2 | M 4 W + SW |

314 STRIPPING ROLLER DRIVING ASSY.



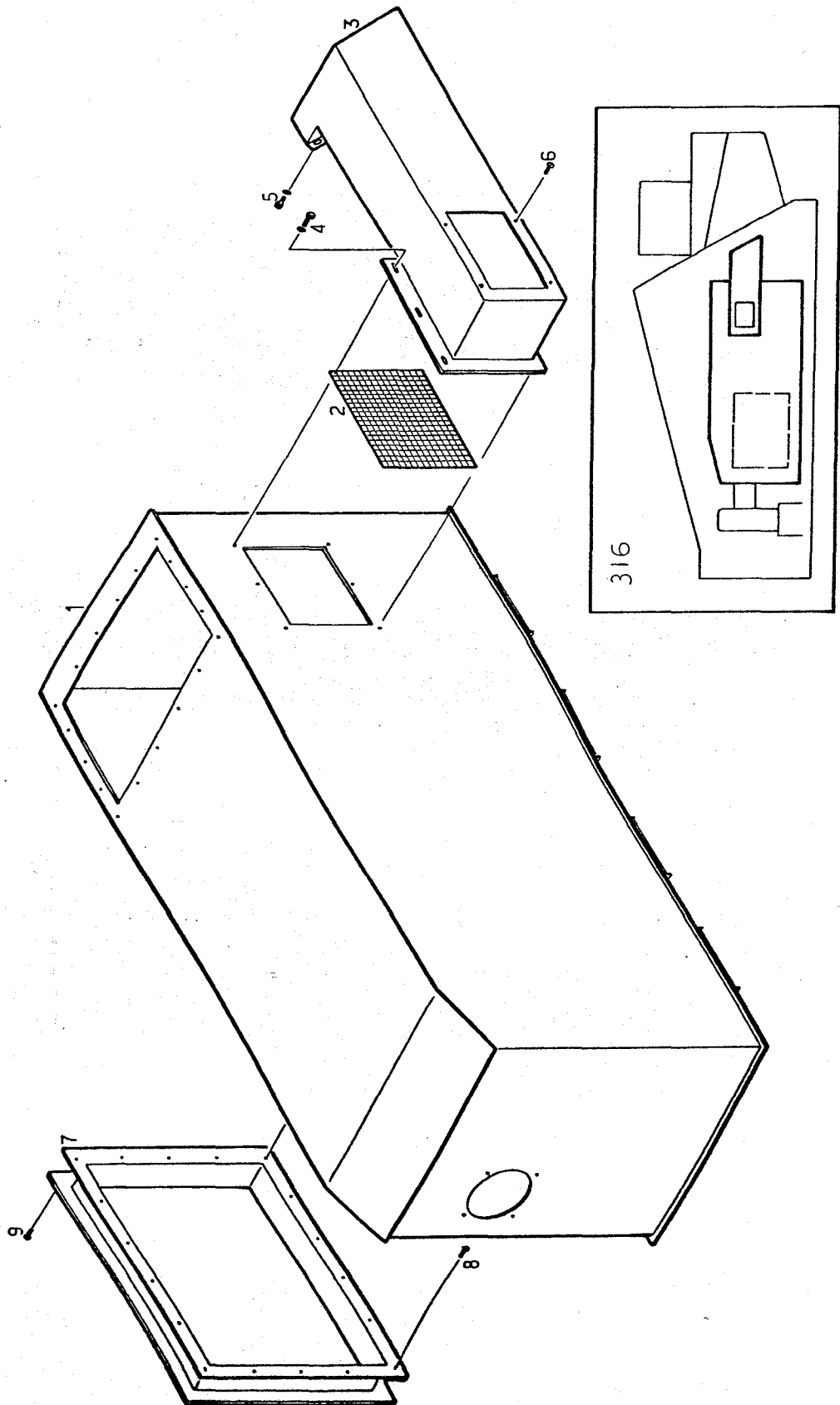
| ASSY. NO. 314 | | ASSY. NAME STRIPPING ROLLER DRIVING ASSY. | | |
|---------------|-------------|---|------|------------------|
| PART NO. | DRAWING NO. | PART NAME | Q'TY | REMARKS |
| 314 - 1 | | MOTOR | 1 | 0.75 KW x 4 P |
| 314 - 2 | | KEY | 1 | |
| 314 - 3 | | HEX. BOLT | 4 | M 8 x 25 W + SW |
| 314 - 4 | 350555 | MOTOR BASE | 1 | |
| 314 - 5 | | HEX. BOLT | 4 | M 8 x 25 W + SW |
| 314 - 6 | 350553 A | V - PULLEY | 1 | |
| 314 - 7 | | SET SCREW | 1 | M 6 x 6 |
| 314 - 8 | | V - BELT | 1 | A - 44" |
| 314 - 9 | 350405 H | V - PULLEY | 1 | |
| 314 - 10 | | SET SCREW | 1 | M 6 x 6 |
| 314 - 11 | | ROUND FLANGE UNIT | 2 | UCFC-205 |
| 314 - 12 | | HEX. BOLT | 8 | M 8 x 22 W + SW |
| 314 - 13 | | STOP RING | 2 | S - 25 |
| 314 - 14 | 250330 A | STRIPPING ROLLER SIDE BRACKET | 1 | R |
| 314 - 15 | 250330 B | STRIPPING ROLLER SIDE BRACKET | 1 | L |
| 314 - 16 | 250500 A.B | STRIPPING ROLLER | 1 | |
| 314 - 17 | 250500 C | STRIPPING ROLLER SHAFT | 1 | |
| 314 - 18 | | KEY | 1 | 7 x 7 x 30 |
| 314 - 19 | | SPRING ROLL PIN | 2 | ∅ 6 x 50 |
| 314 - 20 | 350713 | COMB | 8 | |
| 314 - 21 | | HEX. BOLT | 16 | M 5 x 25 +N |
| 314 - 22 | | HEX. BOLT | 24 | M 5 x 16 |
| 314 - 23 | 350535 | HINGE PIECE | 2 | |
| 314 - 24 | | CAP SCREW | 6 | M 8 x 20 |
| 314 - 25 | 450345 | HINGE ROD | 2 | |
| 314 - 26 | 350536 B | ADJUST HINGE BRACKET | 2 | |
| 314 - 27 | | SET SCREW | 2 | M 8 x 12 |
| 314 - 28 | | HEX. BOLT | 2 | M 10 x 50 |
| 314 - 29 | | HEX. NUT | 2 | M 10 |
| 314 - 30 | | HEX. BOLT | 2 | M 10 x 30 W + SW |
| 314 - 31 | | HEX. NUT | 2 | M 10 |
| 314 - 32 | 350534 | ADJUST BRACKET | 2 | |
| 314 - 33 | | CAP SCREW | 6 | M 8 x 20 |
| 314 - 34 | | HEX. BOLT | 2 | M 10 x 80 |
| 314 - 35 | | HEX. NUT | 4 | M 10 |

315 STRIPPING ROLLER COVER ASSY.



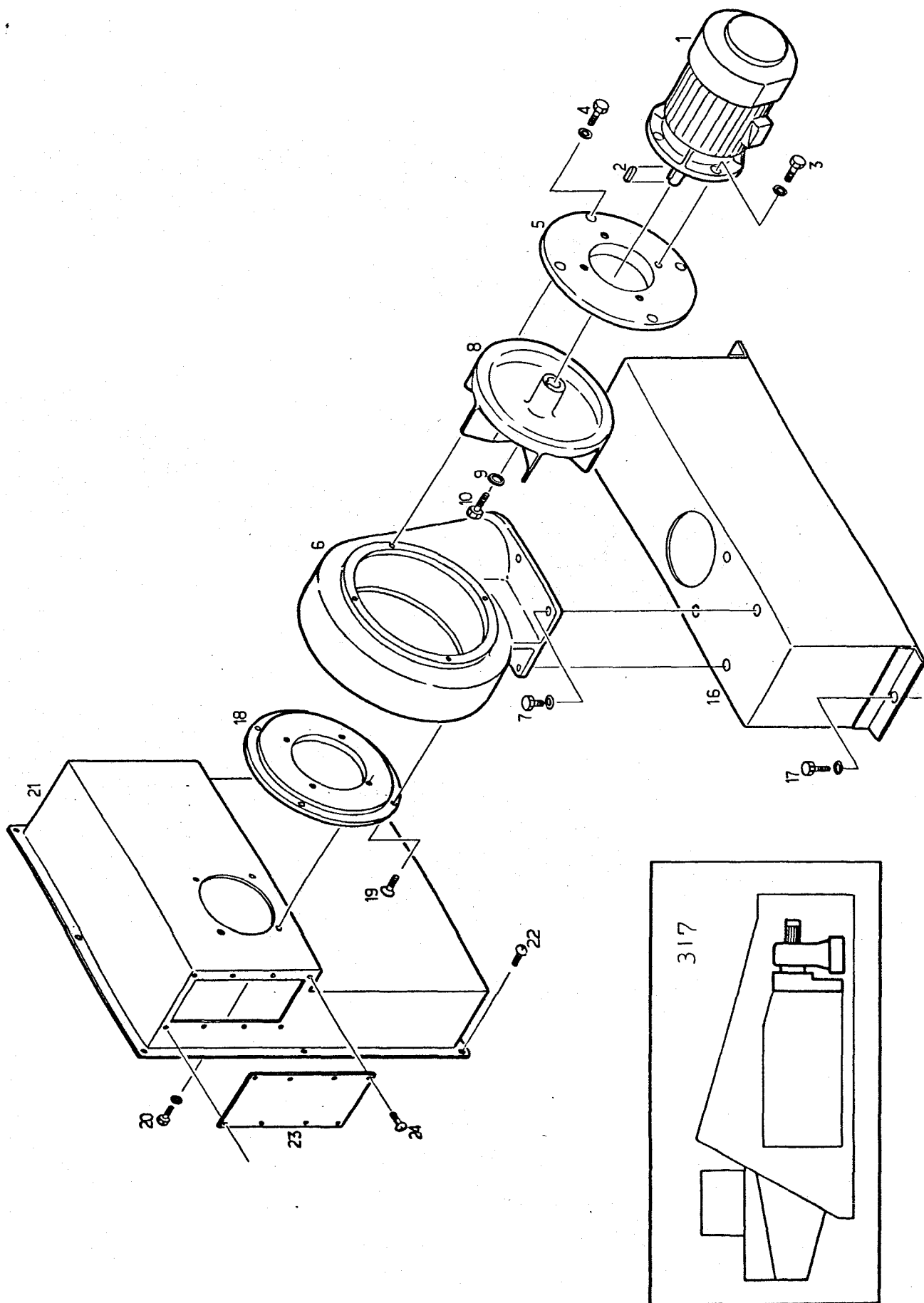
| ASSY. NO. 315 | | ASSY. NAME STRIPPING ROLLER COVER ASSY. | | |
|---------------|-------------|---|------|-----------------|
| PART NO. | DRAWING NO. | PART NAME | Q'TY | REMARKS |
| 315 - 1 | 350538 | STRIPPING ROLLER FRONT COVER | 1 | |
| 315 - 2 | | HEX. BOLT | 10 | M 5 x 12 W + SW |
| 315 - 3 | 350537 | STRIPPING ROLLER BACK COVER | 1 | |
| 315 - 4 | | HEX. BOLT | 10 | M 5 x 12 W + SW |
| 315 - 5 | 250359 | SLIVER GUIDE | 1 | |
| 315 - 6 | | HEX. BOLT | 2 | M 6 x 10 W + SW |
| 315 - 7 | | HEX. BOLT | 3 | M 5 x 10 SW |
| 315 - 8 | 350691 B | BOBBIN GUIDE STAND | 1 | |
| 315 - 9 | | HEX. BOLT | 2 | M 6 x 15 W + SW |
| 315 - 10 | 250413 | BOBBIN GUIDE | 1 | |
| 315 - 11 | | R.H. SCREW | 4 | M 5 x 8 |
| 315 - 12 | 350661 | DUCT JOINT | 1 | |
| 315 - 13 | | CURTAIN RAIL | 1 | |
| 315 - 14 | 250395 | DUCT FLANGE | 1 | |
| 315 - 15 | | R.H. SCREW | 18 | M 5 x 12 W + SW |
| 315 - 16 | 350532 B | SET BAR | 2 | |
| 315 - 17 | 350532 A | SET BAR | 2 | |
| 315 - 18 | | R.H. SCREW | 22 | M 5 x 8 W + SW |
| 315 - 19 | 450423 | TRANSPARENT PLATE | 2 | |
| 315 - 20 | | RECEIVER (PHOTO-TUBE) | 1 | WITH RED LIGHT |
| 315 - 21 | | PROJECTOR (PHOTO-TUBE) | 1 | |
| 315 - 22 | | R.H. SCREW | 4 | M 4 x 25 W + SW |

316 OPENED FIBER CONTAINER BOX ASSY.



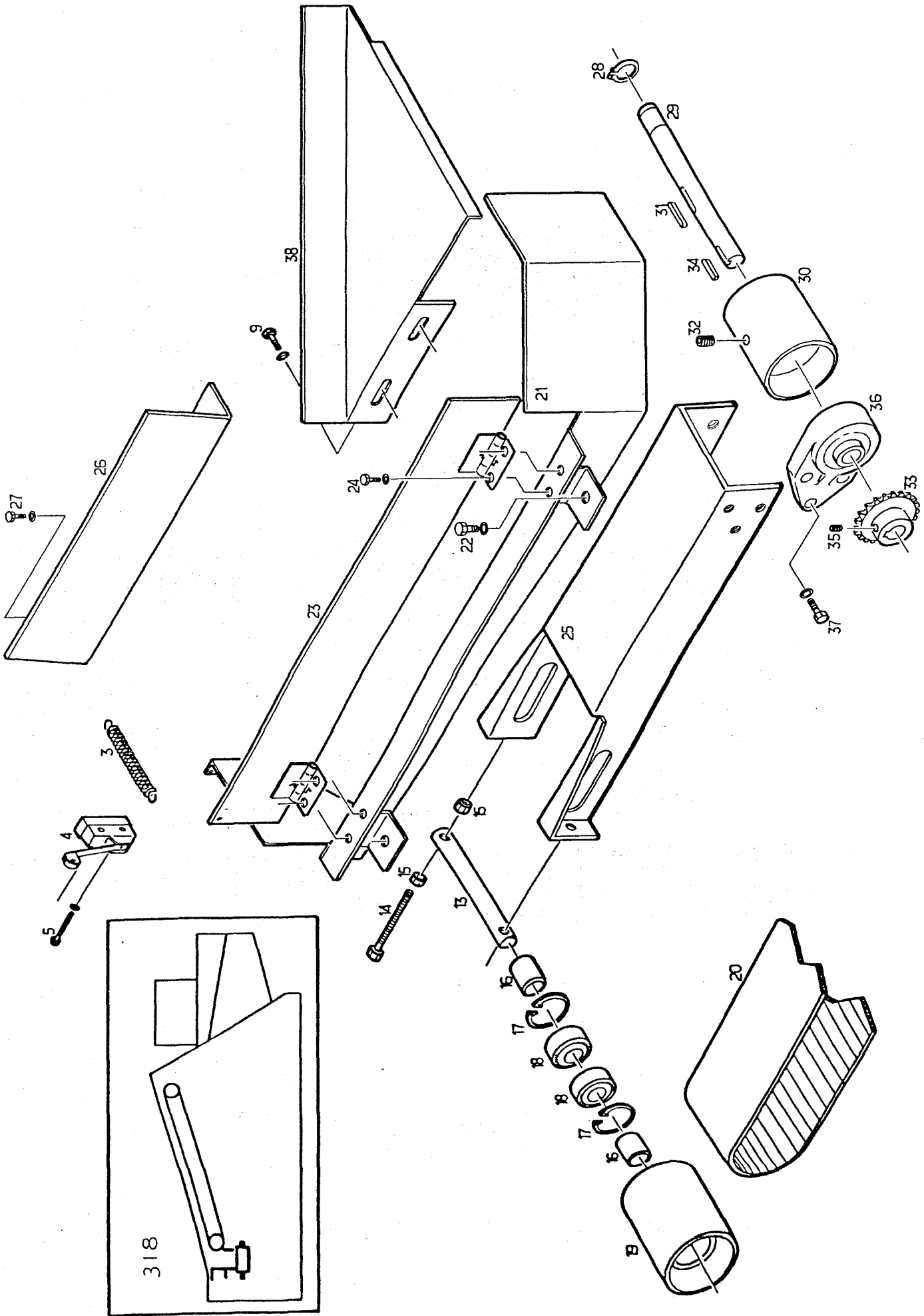
| ASSY. NO. 316 | | ASSY. NAME OPENED FIBER CONTAINER BOX ASSY. | | |
|---------------|-------------|---|------|---------------------|
| PART NO. | DRAWING NO. | PART NAME | Q'TY | REMARKS |
| 316 - 1 | 150105 | FIBER CONTAINER BOX | 1 | |
| 316 - 2 | 450400 | DUCT FILTER | 1 | 20 MESH |
| 316 - 3 | 150087 B | DUCT JOINT | 1 | |
| 316 - 4 | | HEX. BOLT | 6 | M 5 x 12 W + SW + N |
| 316 - 5 | | HEX. BOLT | 3 | M 5 x 12 W + SW + N |
| 316 - 6 | | R.H. SCREW | 4 | M 5 x 12 |
| 316 - 7 | 350582 | CONTAINER BOX SPACER | 1 | |
| 316 - 8 | | R.H. SCREW | 18 | M 5 x 12 |
| 316 - 9 | | R.H. SCREW | 18 | M 5 x 12 |

317 BLOWER MOTOR ASSY.



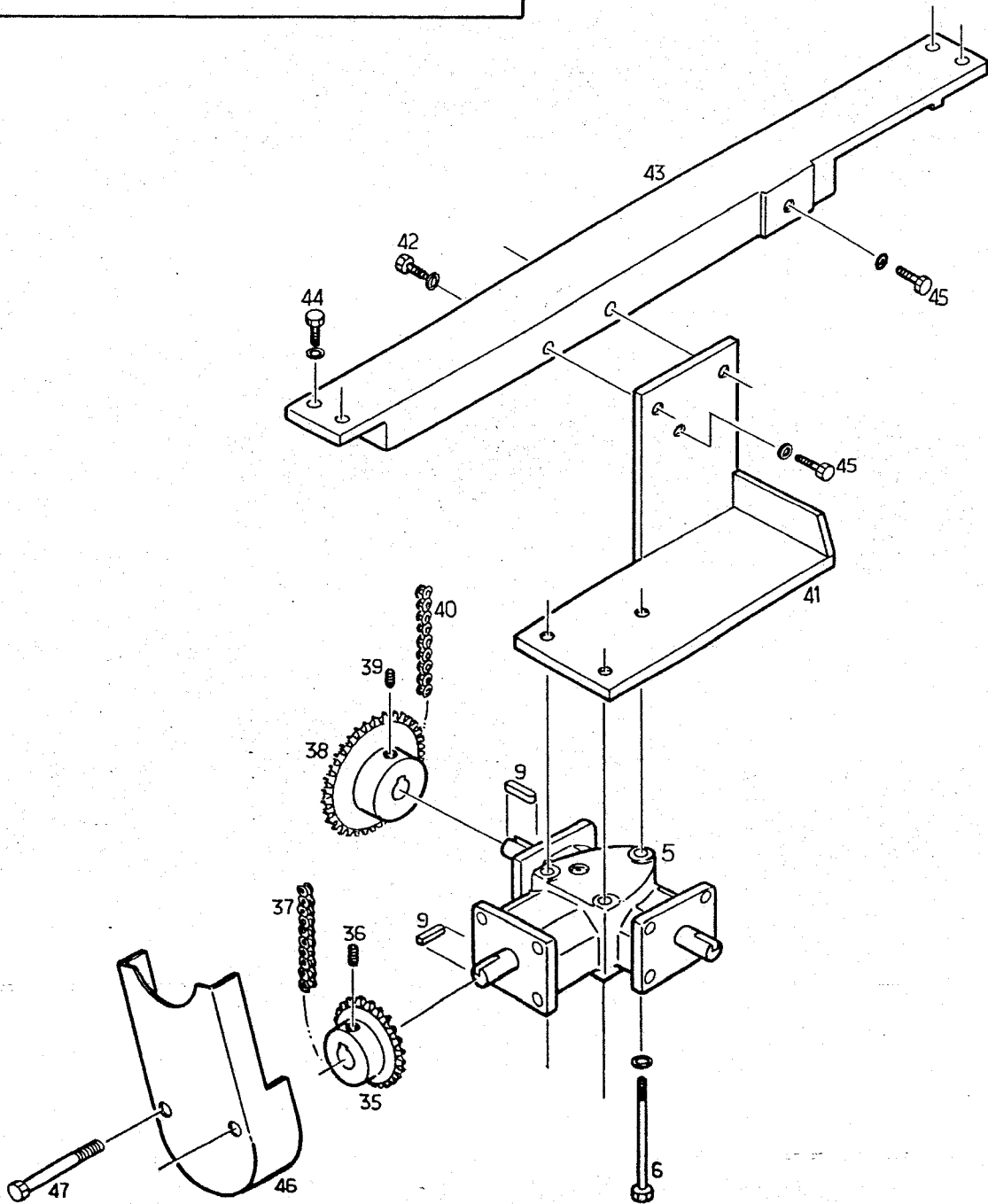
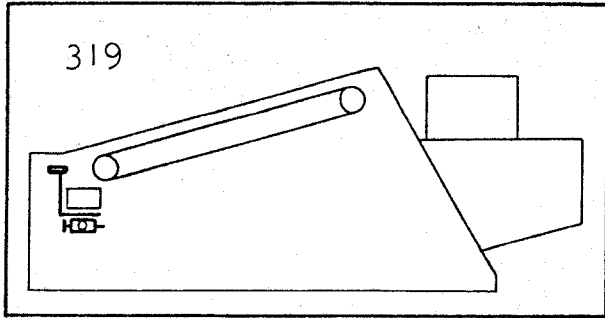
| ASSY. NO. 317 | | ASSY. NAME BLOWER MOTOR ASSY. | | |
|---------------|-------------|-------------------------------|------|------------------|
| PART NO. | DRAWING NO. | PART NAME | Q'TY | REMARKS |
| 317 - 1 | | BLOWER MOTOR | 1 | 1.0 KW x 2 P |
| 317 - 2 | | KEY | 1 | |
| 317 - 3 | | HEX. BOLT | 4 | M8 x 35, W + SW |
| 317 - 4 | | HEX. BOLT | 4 | M8 x 25, W + SW |
| 317 - 5 | 350126 | BLOWER CASING COVER | 1 | |
| 317 - 6 | 250104 | BLOWER CASING | 1 | |
| 317 - 7 | | HEX. BOLT | 4 | M10 x 30, W + SW |
| 317 - 8 | 260939 | IMPELLER | 1 | |
| 317 - 9 | 450079 | WASHER | 1 | |
| 317 - 10 | | HEX. BOLT | 1 | M8 x 25, SW |
| 317 - 16 | 250403 B | BLOWER EXHAUST PORT BOX | 1 | |
| 317 - 17 | | HEX. BOLT | 2 | M8 x 15, W + SW |
| 317 - 18 | 350690 B | BLOWER CASING COVER | 1 | |
| 317 - 19 | | F. H. SCREW | 4 | M8 x 22 |
| 317 - 20 | | HEX. BOLT | 4 | M6 x 15, W + SW |
| 317 - 21 | 150106 C | SUCTION PORT BOX | 1 | |
| 317 - 22 | | TAPPING SCREW | 7 | ø5 x 10 |
| 317 - 23 | 450429 | SUCTION PORT COVER | 2 | |
| 317 - 24 | | R. H. SCREW | 16 | M4 x 8 |

318 LATERAL FEED CONVEYOR ASSY.



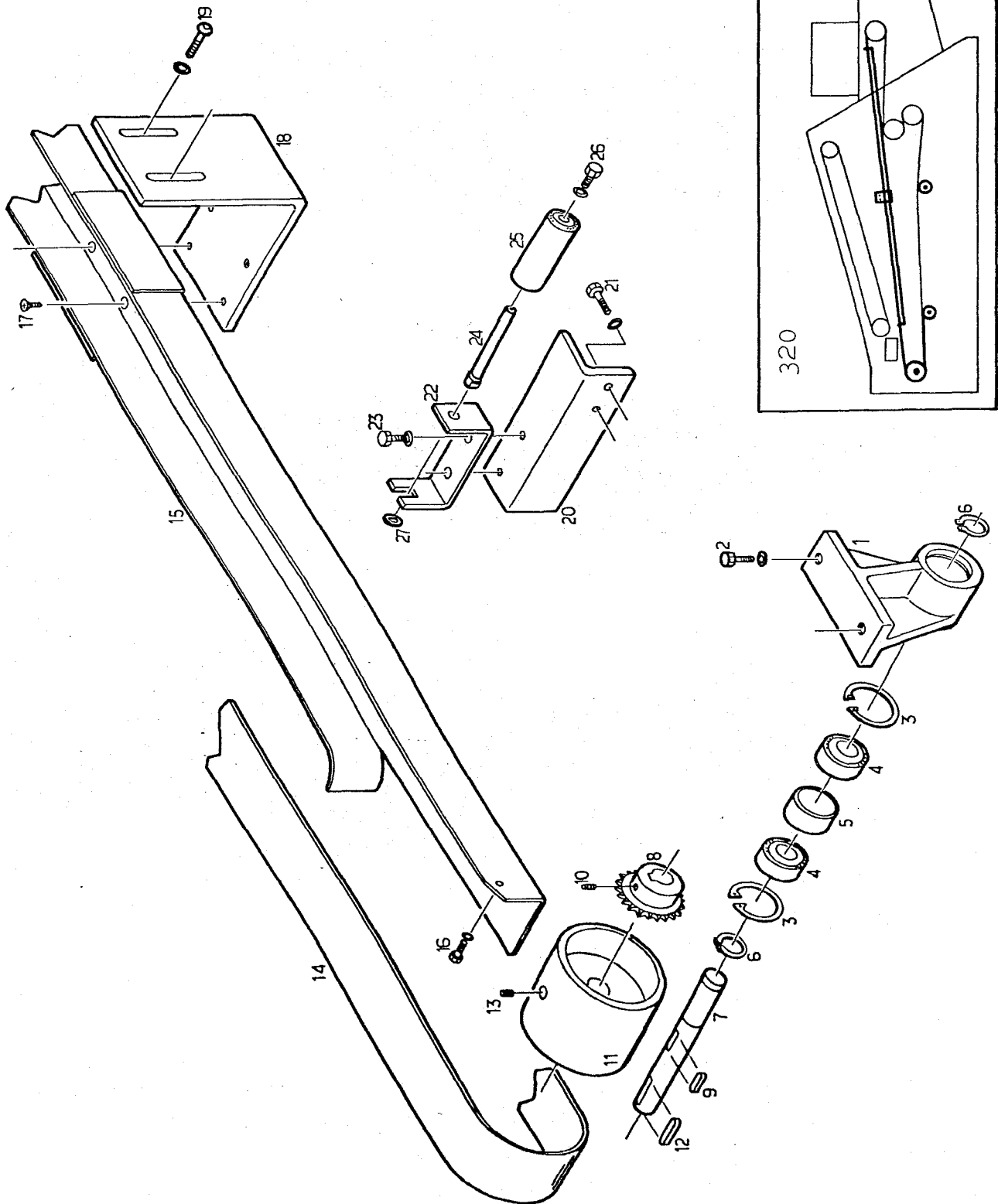
| ASSY. NO. 318 | | ASSY. NAME LATERAL FEED CONVEYOR ASSY. | | |
|---------------|-------------|--|------|-----------------|
| PART NO. | DRAWING NO. | PART NAME | Q'TY | REMARKS |
| 318 - 21 | 250519 | BOBBIN DROP GUIDE | 1 | |
| 318 - 22 | | HEX. BOLT | 2 | M8 x 15, W + SW |
| 318 - 3 | 460468 | TENSION SPRING | 1 | |
| 318 - 4 | | MICRO SWITCH | 1 | |
| 318 - 5 | | R. H. SCREW | 2 | M4 x 30, W + SW |
| 318 - 26 | 350692 B | BOBBIN GUIDE | 1 | |
| 318 - 27 | | HEX. BOLT | 2 | M6 x 10, W + SW |
| 318 - 38 | 250520 B | SLIDE CONVEYOR PLATE | 1 | |
| 318 - 9 | | HEX. BOLT | 2 | M5 x 12, W + SW |
| 318 - 25 | 250398 C | SIDE CONVEYOR FRAME | 1 | |
| 318 - 13 | 350683 | SIDE CONVEYOR SHAFT | 1 | |
| 318 - 14 | | TENSION BOLT | 2 | M8 x 80 |
| 318 - 15 | | HEX. NUT | 6 | M8 |
| 318 - 16 | 450426 | SIDE CONVEYOR COLLAR | 2 | |
| 318 - 17 | | SNAP RING | 2 | H-42 |
| 318 - 18 | | BALL BEARING | 2 | 6004 zz |
| 318 - 19 | 350619 | SIDE CONVEYOR PULLEY | 1 | |
| 318 - 20 | 450493 | CONVEYOR BELT | 1 | 100W x 1210L |
| 318 - 23 | 350914 | GUIDE PLATE | 1 | |
| 318 - 24 | | HEX. BOLT | 4 | M5 x 12, W + SW |
| 318 - 28 | | SNAP RING | 2 | S-20 |
| 318 - 29 | 350684 | SIDE CONVEYOR SHAFT | 1 | |
| 318 - 30 | 350618 | SIDE CONVEYOR PULLEY | 1 | |
| 318 - 31 | | KEY | 1 | 7x7x25 |
| 318 - 32 | | SET SCREW | 1 | M6 x 15 |
| 318 - 33 | 350623 B | SPROCKET | 1 | 3/8" x 17T |
| 318 - 34 | | KEY | 1 | 7x7x20 |
| 318 - 35 | | SET SCREW | 1 | M6 x 6 |
| 318 - 36 | | FLANGE UNIT | 2 | UCFB 204 |
| 318 - 37 | | HEX. BOLT | 6 | M8 x 20, SW |

319 LATERAL FEED CONVEYOR ASSY.



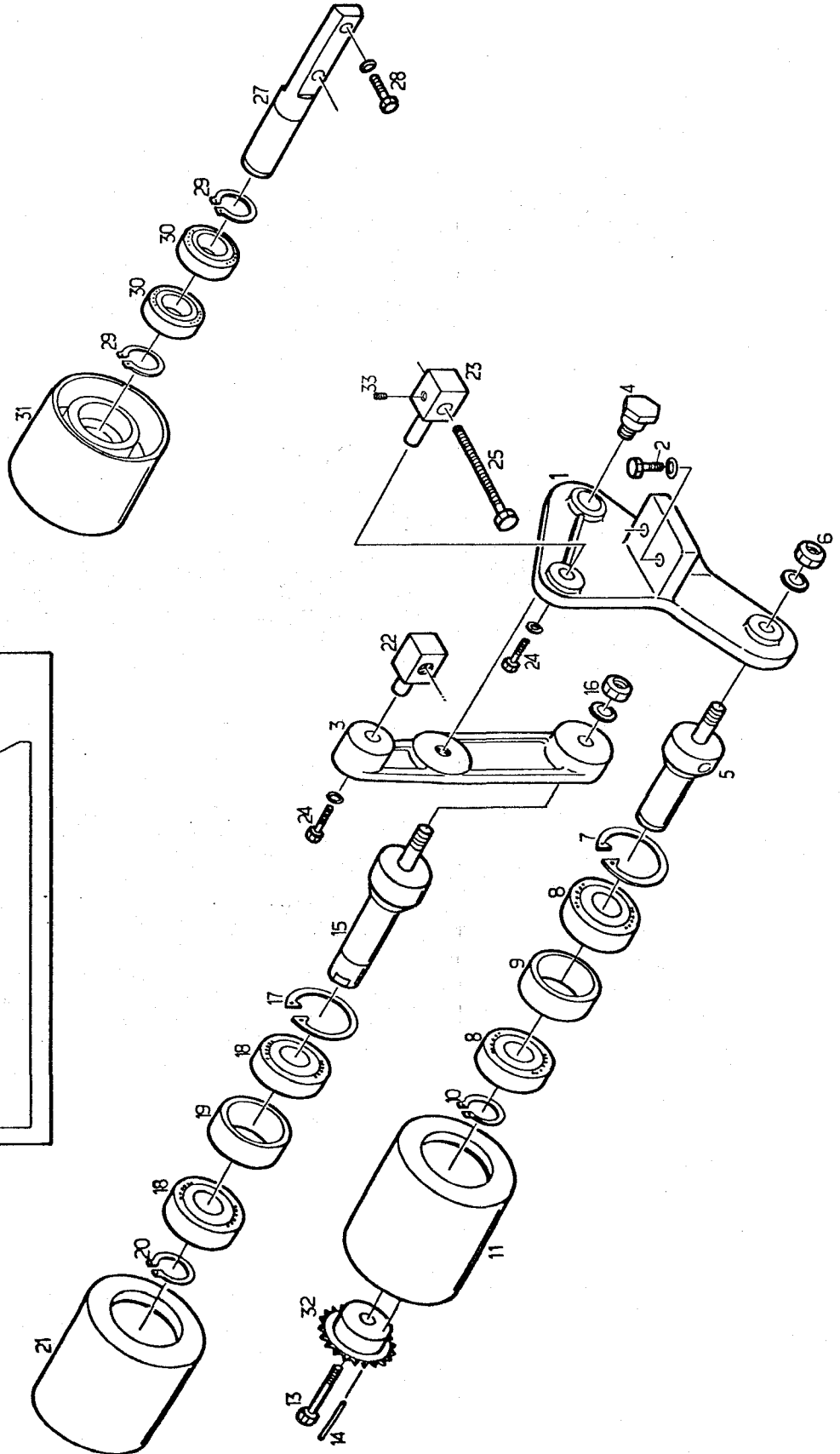
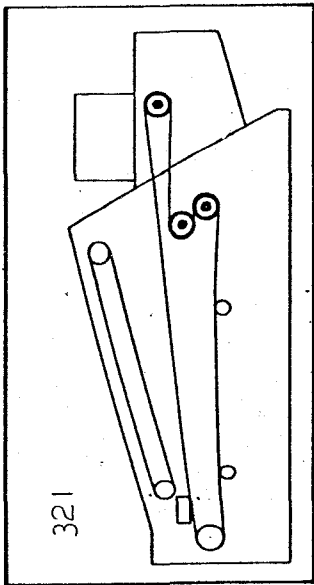
| ASSY. NO. | 319 | ASSY. NAME | LATERAL FEED CONVEYOR ASSY. | |
|-----------|-------------|--------------------|-----------------------------|----------------------------------|
| PART NO. | DRAWING NO. | PART NAME | Q'TY | REMARKS |
| 319 - 5 | | COMPASS | 1 | KC-151 |
| 319 - 6 | | HEX. BOLT | 3 | M8x100, W+SW |
| 319 - 9 | | KEY | 2 | 5x5x20 |
| 319 - 35 | 350623 A | SPROCKET | 1 | 3/8"x17T FOR LATERAL CONVEYOR |
| 319 - 36 | | SET SCREW | 1 | M5x6 |
| 319 - 37 | | CHAIN | 1 | 3/8"x40LINKS |
| 319 - 38 | 350623 E | SPROCKET | 1 | 3/8"x30T FOR SIDE CONVEYOR |
| 319 - 39 | | SET SCREW | 1 | M6x6 |
| 319 - 40 | | CHAIN | 1 | 3/8"x46LINKS |
| 319 - 41 | 350680 B | COMPASS BRACKET | 1 | |
| 319 - 42 | | HEX. BOLT | 2 | M8x20, W+SW |
| 319 - 43 | 250399 | SIDE CONVEYOR BEAM | 1 | |
| 319 - 44 | | HEX. BOLT | 4 | M8x20, W+SW |
| 319 - 45 | | HEX. BOLT | 2 | M8x20, W+SW |
| 319 - 46 | 350912 | CHAIN COVER | 1 | |
| 319 - 47 | | HEX. BOLT | 2 | M8x80, SW+N |

320 LONGITUDINAL FEED CONVEYOR ASSY.



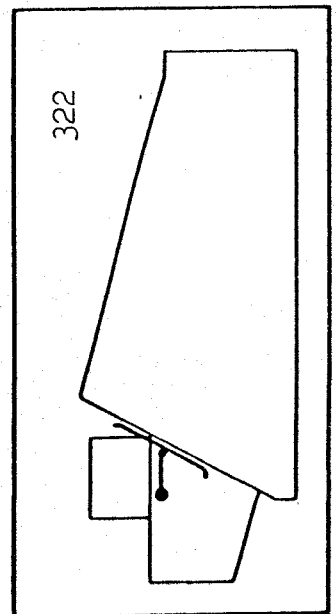
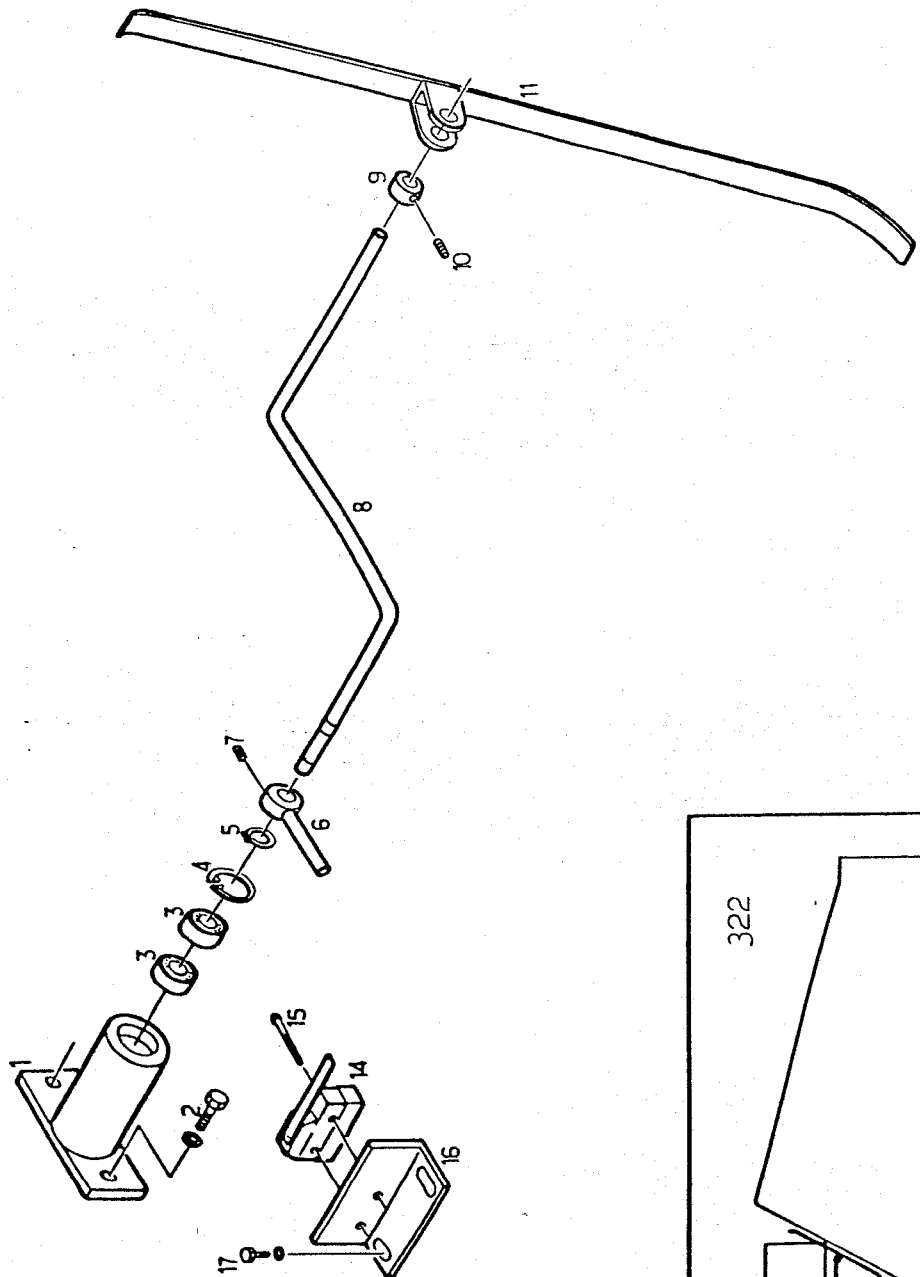
| ASSY. NO. 320 | | ASSY. NAME LONGITUDINAL FEED CONVEYOR ASSY. | | |
|---------------|-------------|---|------|------------------|
| PART NO. | DRAWING NO. | PART NAME | Q'TY | REMARKS |
| 320 - 1 | 350565 | CONVEYOR SHAFT BRACKET | 1 | |
| 320 - 2 | | HEX. BOLT | 2 | M 8 x 25 W + SW |
| 320 - 3 | | STOP RING | 2 | H-42 |
| 320 - 4 | | BALL BEARING | 2 | 6004 zz |
| 320 - 5 | 450361 C | CONVEYOR PULLEY COLLAR | 1 | |
| 320 - 6 | | STOP RING | 2 | S-20 |
| 320 - 7 | 350617 | RETURN CONVEYOR SHAFT | 1 | |
| 320 - 8 | 350623 B | SPROCKET | 1 | 3/8" x 17 T |
| 320 - 9 | | KEY | 1 | 7 x 7 x 15 |
| 320 - 10 | | SET SCREW | 1 | M 6 x 6 |
| 320 - 11 | 350615 | RETURN CONVEYOR PULLEY | 1 | |
| 320 - 12 | | KEY | 1 | 7 x 7 x 25 |
| 320 - 13 | | SET SCREW | 1 | M 6 x 6 |
| 320 - 14 | | RETURN CONVEYOR BELT | 1 | 60 W x 7650 L |
| 320 - 15 | 250414 | CONVEYOR FRAME | 1 | |
| 320 - 16 | | HEX. BOLT | 1 | M 6 x 12 W + SW |
| 320 - 17 | | F.H. SCREW | 6 | M 5 x 10 |
| 320 - 18 | 450412 | CONVEYOR FRAME BRACKET | 1 | |
| 320 - 19 | | SOCKET SCREW | 2 | M 8 x 20 |
| 320 - 20 | 350710 | SUPPORT ROLLER BRACKET | 2 | |
| 320 - 21 | | HEX. BOLT | 4 | M 6 x 20 W + SW |
| 320 - 22 | 450397 | SUPPORT ROLLER STAND | 2 | |
| 320 - 23 | | HEX. BOLT | 4 | M 6 x 20 W + SW |
| 320 - 24 | 450396 | SUPPORT ROLLER SHAFT | 2 | |
| 320 - 25 | 450395 | CONVEYOR SUPPORT ROLLER | 2 | (WITH BEARING) |
| 320 - 26 | | HEX. BOLT | 2 | M 6 x 12 W + SW |
| 320 - 27 | | WASHER | 4 | M 10 |

321 LONGITUDINAL FEED CONVEYOR TENSION ASSY.



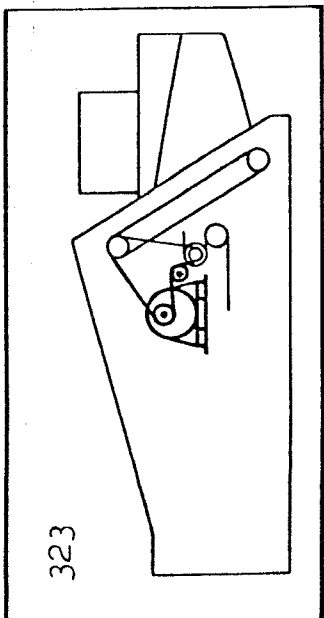
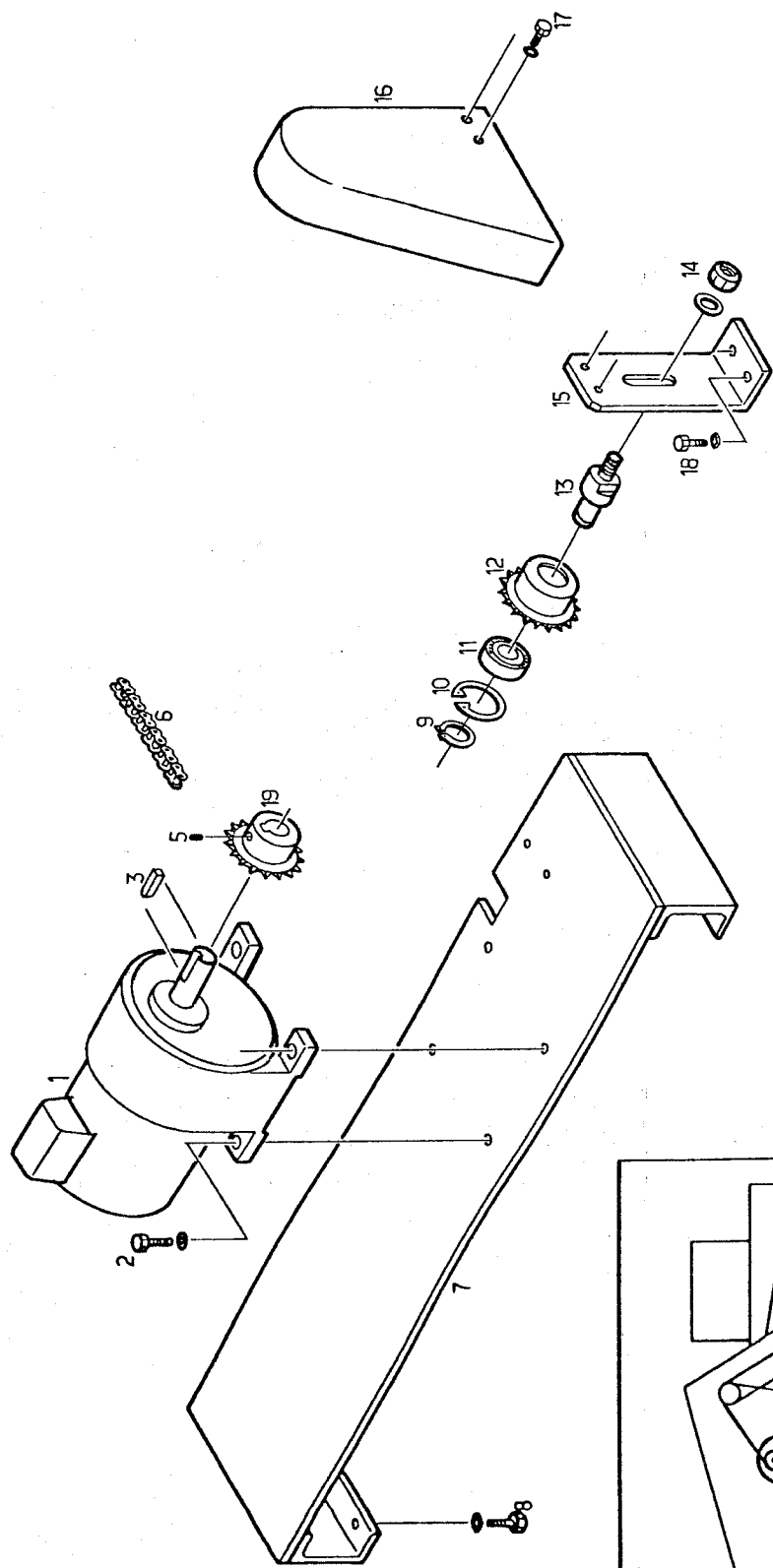
| ASSY. NO. 321 | | ASSY. NAME LONGITUDINAL FEED CONVEYOR TENSION ASSY. | | |
|---------------|-------------|---|------|------------------|
| PART NO. | DRAWING NO. | PART NAME | Q'TY | REMARKS |
| 321 - 1 | 250402 | TENSION BRACKET | 1 | |
| 321 - 2 | | HEX. BOLT | 2 | M 10 x 25 W + SW |
| 321 - 3 | 350688 | TENSION ARM | 1 | |
| 321 - 4 | 450381 B | TENSION SUPPORT PIN | 1 | |
| 321 - 5 | 350550 | FIXED TENSION SHAFT | 1 | |
| 321 - 6 | | HEX. NUT | 1 | M 12 SW |
| 321 - 7 | | STOP RING | 1 | H-62 |
| 321 - 8 | | BALL BEARING | 2 | 6305 zz |
| 321 - 9 | 450350 | COLLAR | 1 | |
| 321 - 10 | | STOP RING | 1 | S-25 |
| 321 - 11 | 350693 | FIXED TENSION PULLEY | 1 | |
| 321 - 32 | 450430 | SPROCKET | 1 | 3/8" x 17 T |
| 321 - 13 | | HEX. BOLT | 1 | M 10 x 35 W + SW |
| 321 - 14 | | SPRING ROLL PIN | 1 | ∅ 6 x 30 |
| 321 - 15 | 350548 | TENSION SHAFT | 1 | |
| 321 - 16 | | HEX. NUT | 1 | M 12 SW |
| 321 - 17 | | STOP RING | 1 | H-62 |
| 321 - 18 | | BALL BEARING | 2 | 6305 zz |
| 321 - 19 | 450350 | COLLAR | 1 | |
| 321 - 20 | | STOP RING | 1 | S-25 |
| 321 - 21 | 450349 | TENSION PULLEY | 1 | |
| 321 - 22 | 450410 A | TENSION NUT | 1 | (M 12, TH) |
| 321 - 23 | 450410 C | TENSION NUT | 1 | |
| 321 - 24 | | HEX. BOLT | 2 | M 8 x 16 W + SW |
| 321 - 25 | | HEX. BOLT | 1 | M 12 x 120 |
| 321 - 27 | 450408 B | CONVEYOR SHAFT | 1 | |
| 321 - 28 | | HEX. BOLT | 2 | M 6 x 20 W + SW |
| 321 - 29 | | STOP RING | 2 | S-25 |
| 321 - 30 | | BALL BEARING | 2 | 6005 zz |
| 321 - 31 | 350616 | RETURN CONVEYOR PULLEY | 1 | |
| 321 - 33 | | SET SCREW | 1 | M8x8 |

322 BOBBIN PRESSING BAR ASSY.



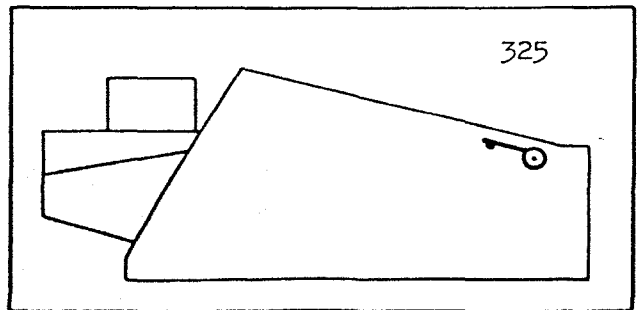
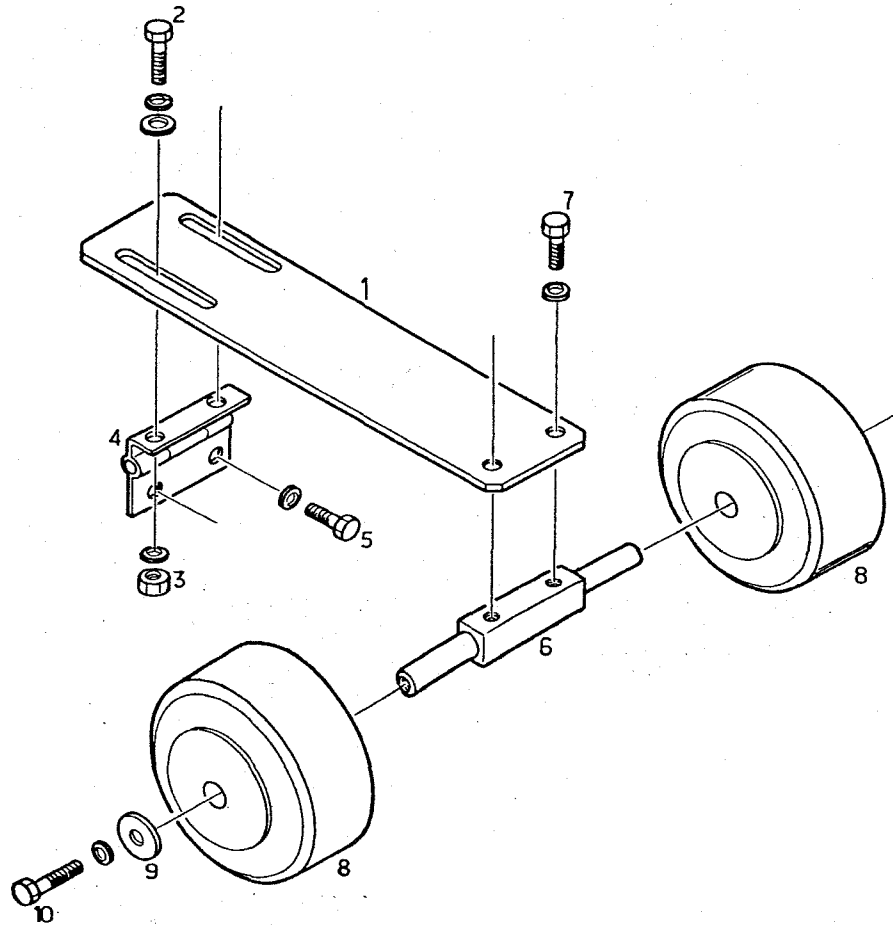
| ASSY. NO. 322 | | ASSY. NAME BOBBIN PRESSING BAR ASSY. | | |
|---------------|-------------|--------------------------------------|------|---------------------|
| PART NO. | DRAWING NO. | PART NAME | Q'TY | REMARKS |
| 322 - 1 | 350560 C | BEARING HOUSING | 1 | |
| 322 - 2 | | HEX. BOLT | 2 | M 8 x 25 W + SW |
| 322 - 3 | | BALL BEARING | 2 | 6001 zz |
| 322 - 4 | | STOP RING | 1 | H-28 |
| 322 - 5 | | STOP RING | 4 | S-12 |
| 322 - 6 | 450477 | M. S. DOG | 1 | |
| 322 - 7 | | SET SCREW | 1 | M 6 x 6 |
| 322 - 8 | 350562 B | PRESSING BAR ROD | 1 | |
| 322 - 9 | 450353 | COLLAR | 1 | |
| 322 - 10 | | SET SCREW | 2 | M 6 x 6 |
| 322 - 11 | 350662 | BOBBIN PRESSING BAR | 1 | |
| 322 - 16 | 450478 | MICRO SWITCH BRACKET | 1 | |
| 322 - 17 | | HEX. BOLT | 2 | M 6 x 8 W + SW |
| 322 - 14 | | MICRO SWITCH | 1 | |
| 322 - 15 | | R.H. SCREW | 2 | M 4 x 35 W + SW + N |

323 ROLL BACK BELT, CONVEYOR BELT DRIVING ASSY.



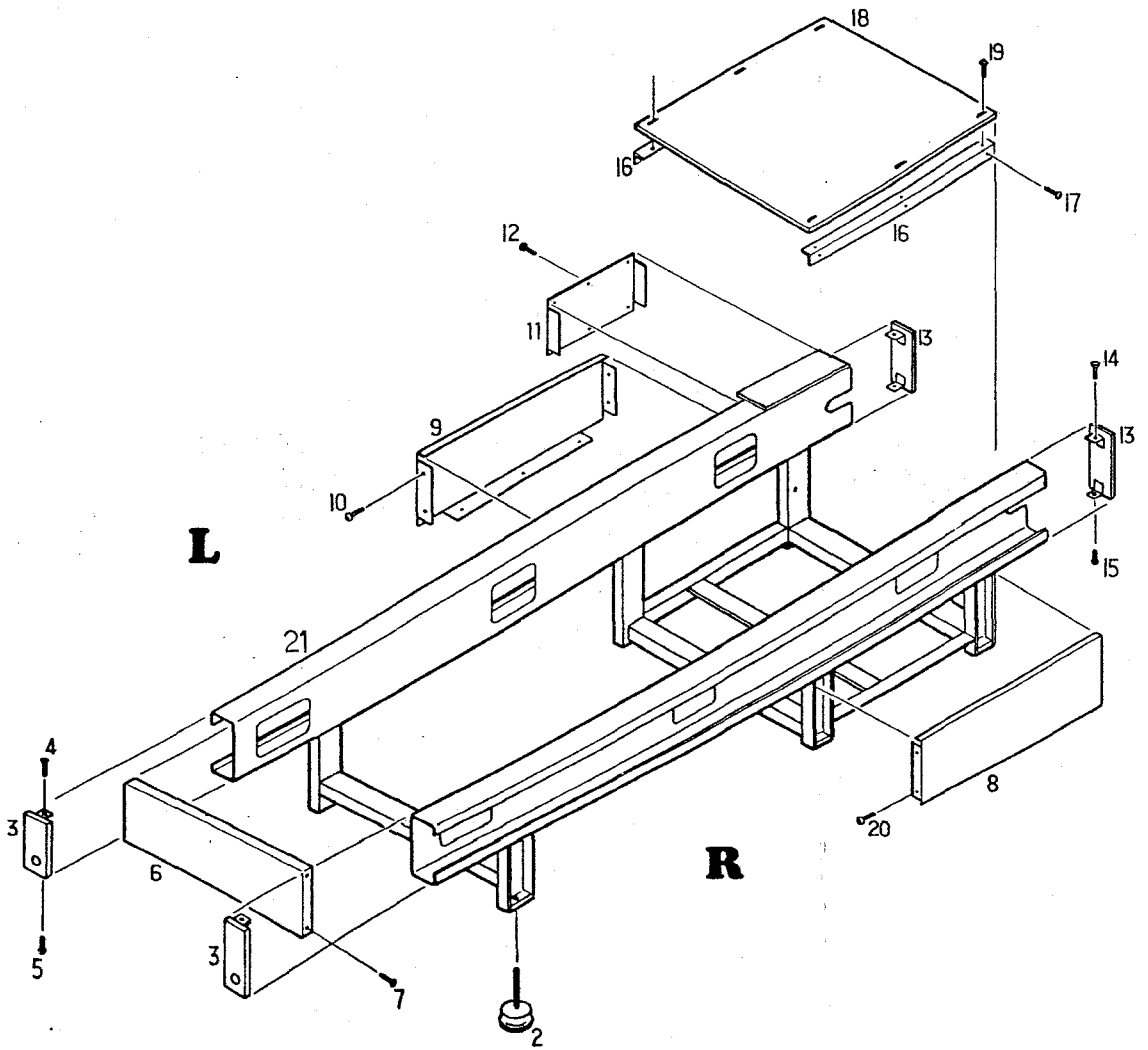
| ASSY. NO. 323 | | ASSY. NAME ROLL BACK BELT, CONVEYOR BELT DRIVING ASSY. | | |
|---------------|-------------|--|------|------------------|
| PART NO. | DRAWING NO. | PART NAME | Q'TY | REMARKS |
| 323 - 1 | | GEARED MOTOR | 1 | 0.2 KW x 4 P |
| 323 - 2 | | HEX. BOLT | 4 | M 8 x 25 W + SW |
| 323 - 3 | | KEY | 1 | |
| 323 - 19 | 350623 F | SPROCKET | 1 | 3/8" x 17 T |
| 323 - 5 | | SET SCREW | 1 | M 6 x 6 |
| 323 - 6 | | CHAIN | 1 | 3/8" x 126 LINKS |
| 323 - 7 | 250518 | MOTOR BASE | 1 | |
| 323 - 8 | | HEX. BOLT | 4 | M 8 x 25 W + SW |
| 323 - 9 | | STOP RING | 1 | S-15 |
| 323 - 10 | | STOP RING | 1 | H-32 |
| 323 - 11 | | BALL BEARING | 1 | 6002 zz |
| 323 - 12 | 450393 | TENSION SPROCKET | 1 | 3/8" x 17 T |
| 323 - 13 | 450431 A | TENSION STUD | 1 | |
| 323 - 14 | | HEX. NUT | 1 | M 10 W + SW |
| 323 - 15 | 450425 | CONVEYOR TENSION BRACKET | 1 | |
| 323 - 16 | 350677 | CHAIN COVER | 1 | |
| 323 - 17 | | HEX. BOLT | 2 | M 6 x 10 W + SW |
| 323 - 18 | | HEX. BOLT | 2 | M 8 x 20 W + SW |

325 BOBBIN PRESSING ROLLER ASSY.



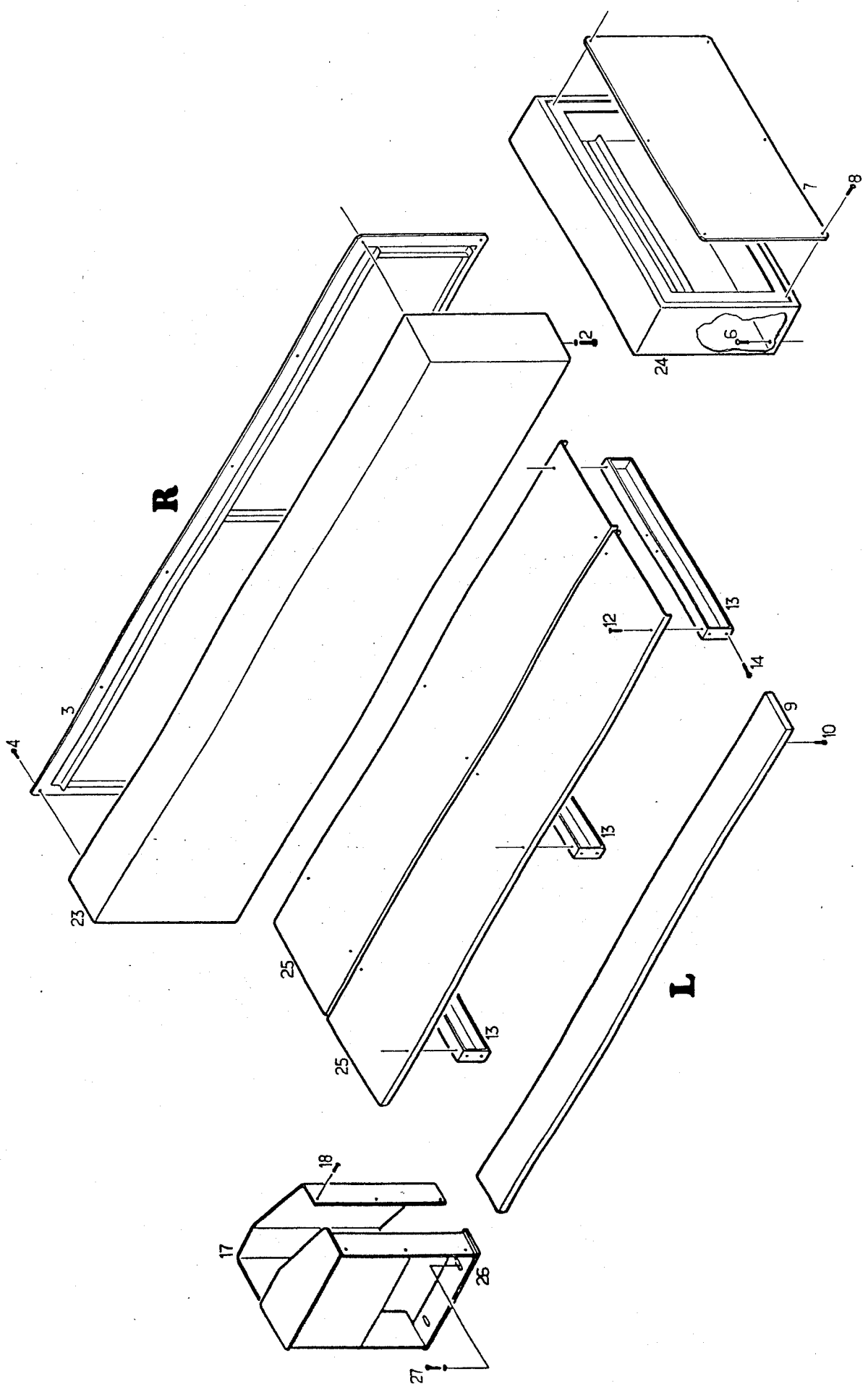
| ASSY. NO. 325 | | ASSY. NAME BOBBIN PRESSING ROLLER ASSY. | | |
|---------------|-------------|---|------|-----------------|
| PART NO. | DRAWING NO. | PART NAME | Q'TY | REMARKS |
| 325 - 1 | 450495 B | ROLLER BRACKET | 1 | |
| 325 - 2 | | HEX. BOLT | 2 | M6 x 10 W + SW |
| 325 - 3 | | HEX. NUT | 2 | M6 |
| 325 - 4 | 450494 | HINGE | 1 | |
| 325 - 5 | | HEX. BOLT | 2 | M6 x 10 SW |
| 325 - 6 | 450496 | ROLLER SHAFT | 1 | |
| 325 - 7 | | HEX. BOLT | 2 | M6 x 15 SW |
| 325 - 8 | | M.C. ROLLER | 2 | MC x VN100 x 34 |
| 325 - 9 | | WASHER | 2 | M8 |
| 325 - 10 | | HEX. BOLT | 2 | M6 x 15 SW |

350 FRAME. COVER ASSY.

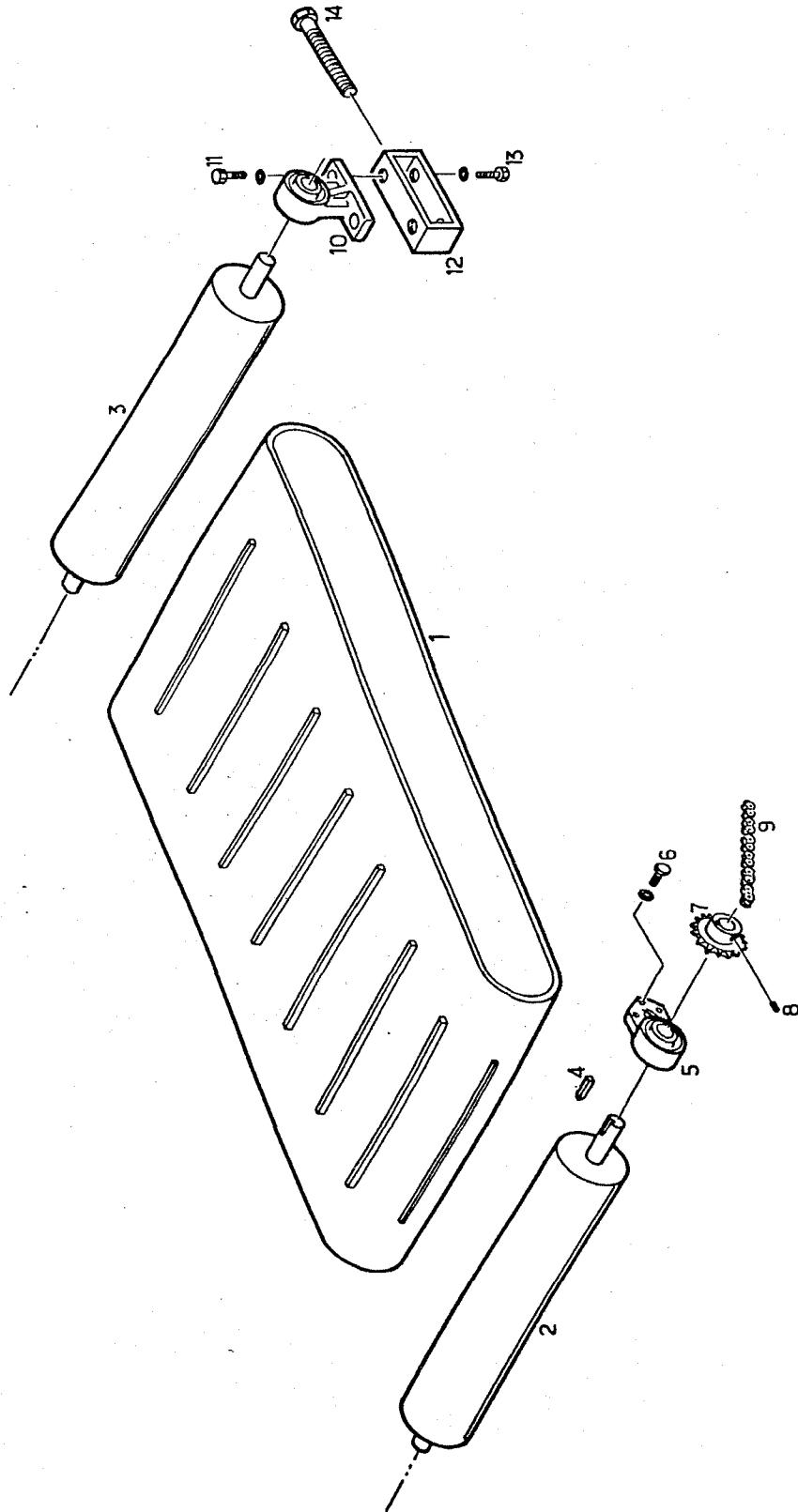


| ASSY. NO. 350 | | ASSY. NAME FRAME COVER ASSY. | | |
|---------------|-------------|------------------------------|------|----------|
| PART NO. | DRAWING NO. | PART NAME | Q'TY | REMARKS |
| 350 - 21 | 150177 | FRAME | 1 | |
| 350 - 2 | KM-100-70 | LEVELING BLOCK | 4 | |
| 350 - 3 | 461094 B | STOP PLATE | 2 | |
| 350 - 4 | | F. H. SCREW | 2 | M6x12 |
| 350 - 5 | | HEX. BOLT | 2 | M6x12 SW |
| 350 - 6 | 350796 B | BACK COVER | 1 | |
| 350 - 7 | | HEX. BOLT | 4 | M6x12 SW |
| 350 - 8 | 350798 | SIDE COVER B | 1 | |
| 350 - 9 | 350797 | SIDE COVER A | 1 | |
| 350 - 10 | | SOCKET SCREW | 7 | M5x12 |
| 350 - 11 | 350800 B | COVER | 1 | |
| 350 - 12 | | SOCKET SCREW | 6 | M5x12 |
| 350 - 13 | 450459 | FRONT COVER | 2 | |
| 350 - 14 | | F. H. SCREW | 2 | M6x12 |
| 350 - 15 | | HEX. BOLT | 2 | M6x12 SW |
| 350 - 16 | 450458 | COVER BRACKET | 2 | |
| 350 - 17 | | HEX. BOLT | 6 | M5x10 SW |
| 350 - 18 | 350799 | WASTE YARN COVER | 1 | |
| 350 - 19 | | HEX. BOLT | 6 | M5x10 SW |
| 350 - 20 | | SOCKET SCREW | 7 | M5x12 |

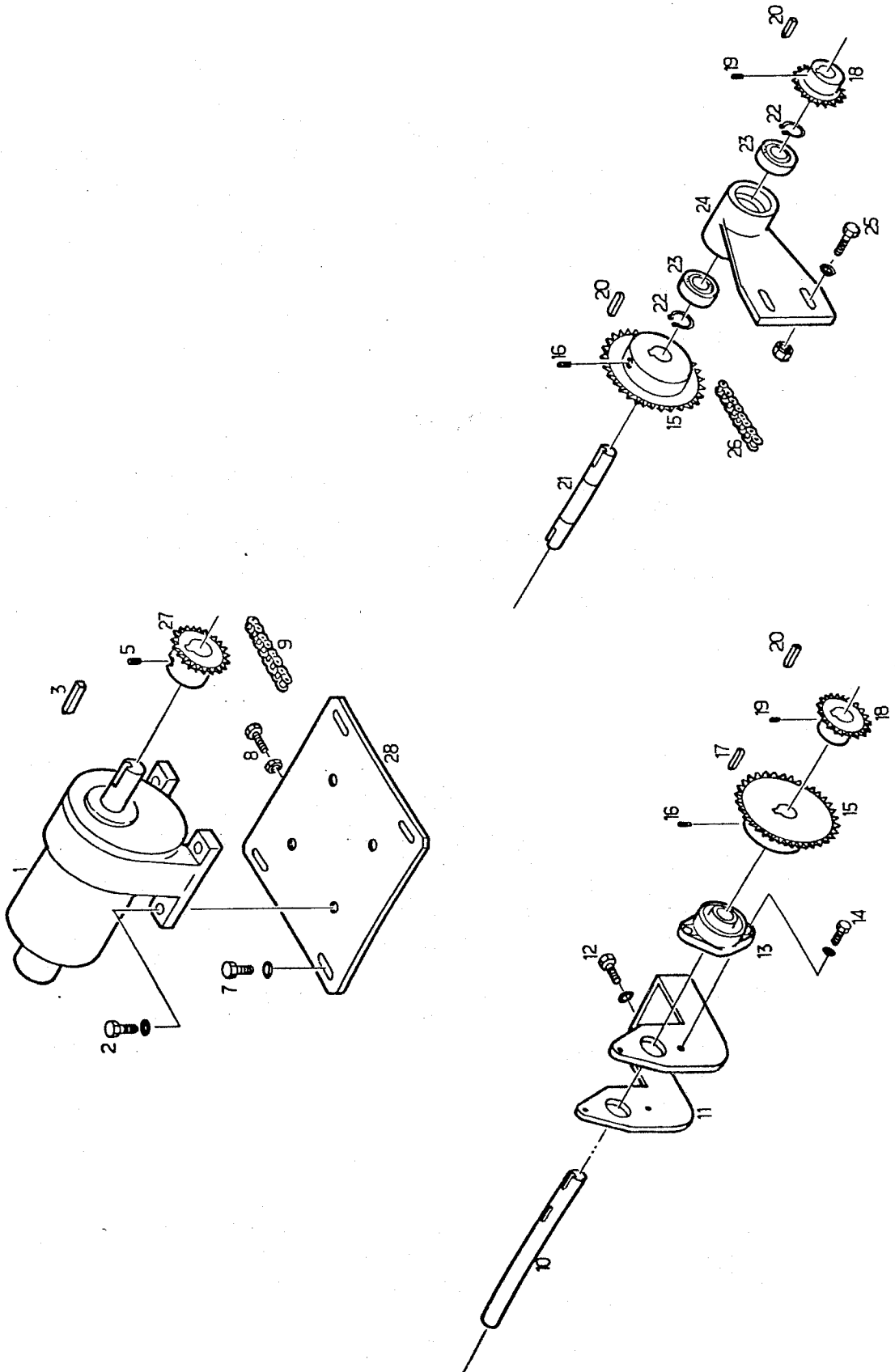
351 BOBBIN GUIDE ASSY.



| ASSY. NO. * 351 | | ASSY. NAME BOBBIN GUIDE ASSY. | | |
|-----------------|-------------|-------------------------------|------|----------------|
| PART NO. | DRAWING NO. | PART NAME | Q'TY | REMARKS |
| 351 - 2 | | HEX. BOLT | 10 | M6 x 30 W+SW+N |
| 351 - 3 | 350793 | SIDE PLATE COVER | 1 | |
| 351 - 4 | | SOCKET SCREW | 12 | M5 x 12 |
| 351 - 6 | | SOCKET SCREW | 4 | M5 x 12 |
| 351 - 7 | 350794 | BACK PLATE COVER | 1 | |
| 351 - 8 | | SOCKET SCREW | 6 | M5 x 12 |
| 351 - 9 | 250456 | FRONT GUIDE PLATE | 1 | |
| 351 - 10 | | HEX. BOLT | 8 | M5 x 12 SW |
| 351 - 12 | | F.H. SCREW | 12 | M5 x 30 N+SW |
| 351 - 13 | 350775 | CONVEYOR BELT BASE | 3 | |
| 351 - 14 | | HEX. BOLT | 12 | M8 x 15 W+SW |
| 351 - 17 | 350801 | BOBBIN GUIDE | 1 | |
| 351 - 18 | | F.H. SCREW | 6 | M5 x 10 |
| 351 - 23 | 2AL50019 B | SIDE PLATE | 1 | |
| 351 - 24 | 250511 B | BACK PLATE | 1 | |
| 351 - 25 | 350774 B | CONVEYOR BELT RECEIVER | 2 | |
| 351 - 26 | 250526 | BOBBIN GUIDE BRACKET | 1 | |
| 351 - 27 | | HEX. BOLT | 2 | M8 x 20 W+SW |



| ASSY. NO. 352 | | ASSY. NAME CONVEYOR BELT ASSY. | | |
|---------------|-------------|--------------------------------|------|-------------|
| PART NO. | DRAWING NO. | PART NAME | Q'TY | REMARKS |
| 352 - 1 | 350795 | CONVEYOR BELT | 1 | 600W |
| 352 - 2 | 350776 | DRIVING DRUM | 1 | |
| 352 - 3 | 350777 | DRUM | 1 | |
| 352 - 4 | | KEY | 1 | 7x7x25 |
| 352 - 5 | | FLANGE UNIT | 2 | UCFB-205 |
| 352 - 6 | | HEX. BOLT | 6 | M8x25 SW |
| 352 - 7 | 450449 | SPROCKET | 1 | 1/2"x26T |
| 352 - 8 | | SET SCREW | 2 | M6x8 |
| 352 - 9 | | CHAIN | 1 | 1/2"x68 |
| 352 - 10 | | PILLOW BLOCK | 2 | UCP-205 |
| 352 - 11 | | HEX. BOLT | 4 | M10x30 W+SW |
| 352 - 12 | 450450 B | LINER | 2 | |
| 352 - 13 | | HEX. BOLT | 4 | M10x20 W+SW |
| 352 - 14 | | ADJUST BOLT | 2 | M12x150 W |



| ASSY. NO. 353 | | ASSY. NAME CONVEYOR DRIVING ASSY. | | |
|---------------|-------------|-----------------------------------|------|---------------|
| PART NO. | DRAWING NO. | PART NAME | Q'TY | REMARKS |
| 353 - 1 | AGE - ND | MOTOR | 1 | 0.2kwx4p |
| 353 - 2 | | HEX. BOLT | 4 | M8x25 W+SW |
| 353 - 3 | | KEY | 1 | |
| 353 - 27 | 361190 X | SPROCKET | 1 | 1/2"x17T |
| 353 - 5 | | SET SCREW | 2 | M8x8 |
| 353 - 28 | 350947 | MOTOR BASE | 1 | |
| 353 - 7 | | HEX. BOLT | 4 | M8x20 W+SW |
| 353 - 8 | | ADJUST BOLT | 1 | M10x50 N |
| 353 - 9 | | CHAIN | 1 | 1/2"x63 |
| 353 - 10 | 461130 B | SHAFT | 1 | |
| 353 - 11 | 361828 | INTERMEDIATE BRACKET | 1 | |
| 353 - 12 | | HEX. BOLT | 2 | M8x30 W+SW |
| 353 - 13 | | FLANGE UNIT | 2 | UCFL-204 |
| 353 - 14 | | HEX. BOLT | 4 | M8x25 W+SW |
| 353 - 15 | 361190 K | SPROCKET | 2 | 1/2"x35T |
| 353 - 16 | | SET SCREW | 4 | M8x8 |
| 353 - 17 | | KEY | 1 | 7x7x25 |
| 353 - 18 | 361190 J | SPROCKET | 2 | 1/2"x12T |
| 353 - 19 | | SET SCREW | 4 | M8x8 |
| 353 - 20 | | KEY | 3 | 7x7x25 |
| 353 - 21 | 461129 B | SHAFT | 1 | |
| 353 - 22 | | STOP RING | 2 | S-20 |
| 353 - 23 | | BALL BEARING | 2 | 6004zz |
| 353 - 24 | 361829 | BEARING HOUSING | 1 | |
| 353 - 25 | | HEX. BOLT | 2 | M10x30 W+SW+N |
| 353 - 26 | | CHAIN | 1 | 1/2"x43 |