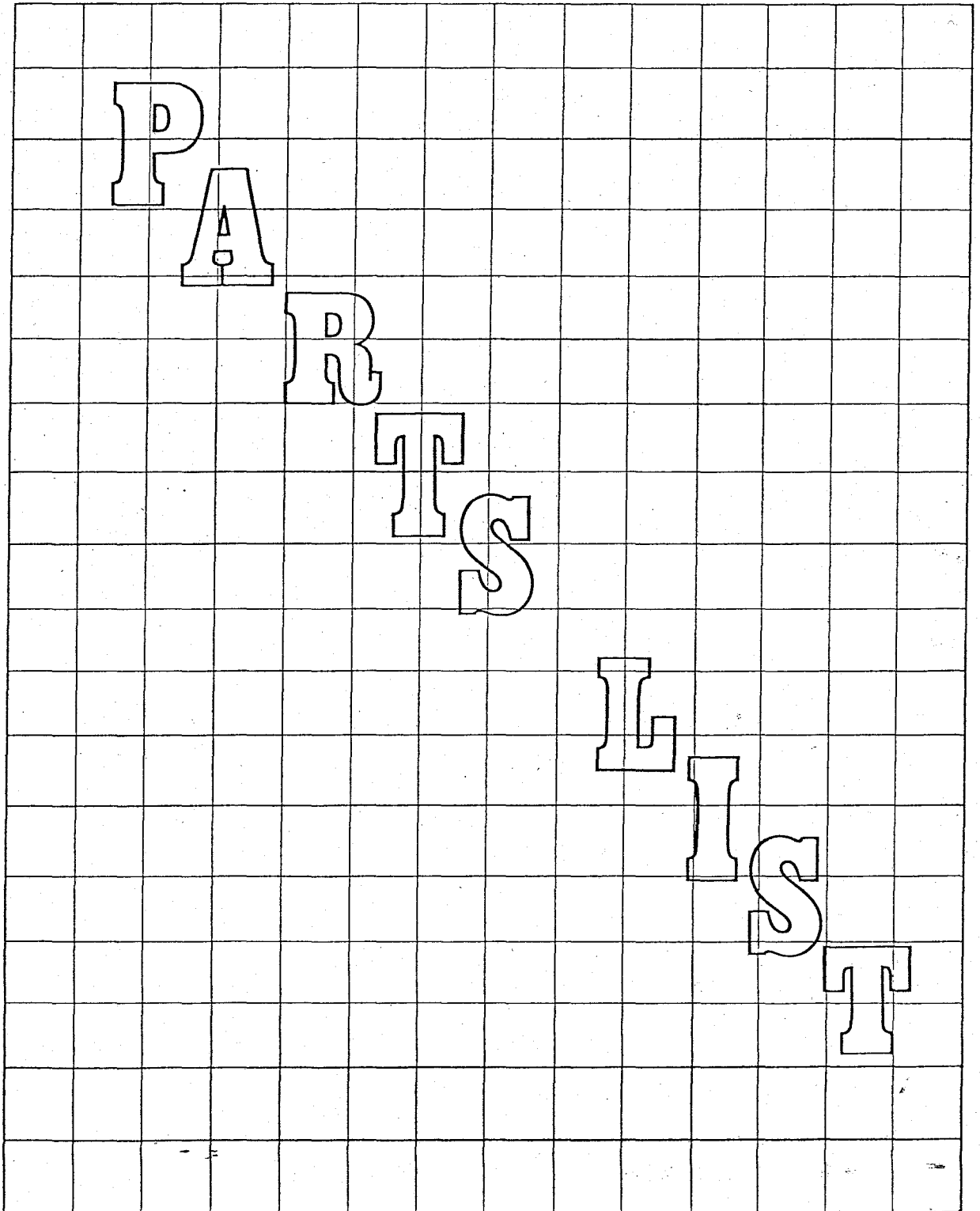


MURAO

MODEL

TMS-55-3



IX. PARTS LIST

1. ORDERS OF SPARE PARTS

When placing parts orders, please state the following descriptions with referring to PARTS LIST, to prevent mis-delivery and delay of delivery.

EXAMPLE :

Machine : Bobbin stripping machine
Model : TMS-55-3
Machine No. : 55-3-5001
(marked on the name plate)
Parts No. : 1158-9
Parts Name : Lamellas
Quantity : 4 pcs

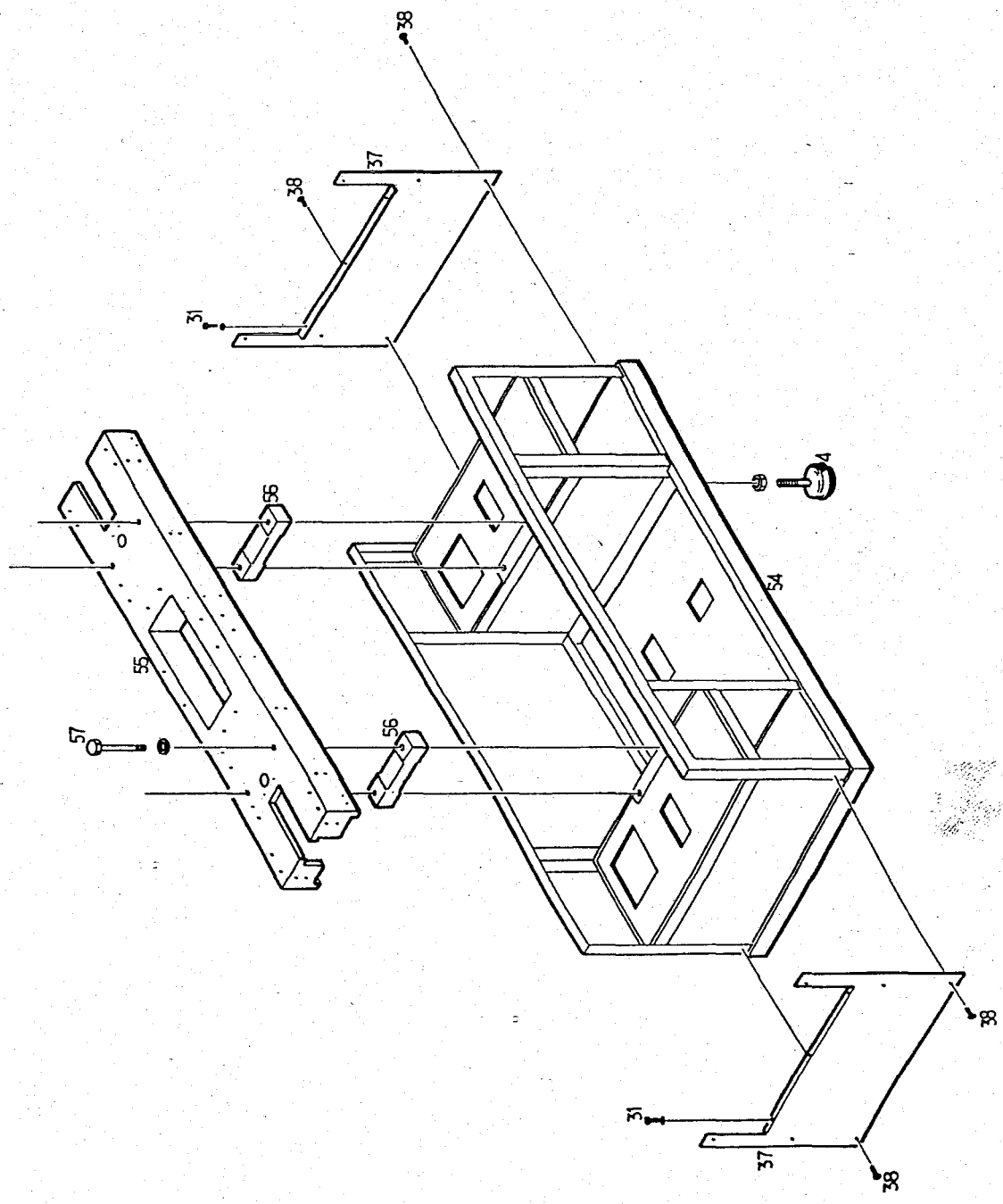
In case of orders for cleaning knives, emergency bars, chutes and stroke hammers, etc., please state which one is required for R or for L.

In case of orders for electric parts, please do the same manner as above with referring to LIST OF ELECTRIC PARTS.

BOBBIN STRIPPING MACHINE TMS - 55 - 3 PARTS LIST

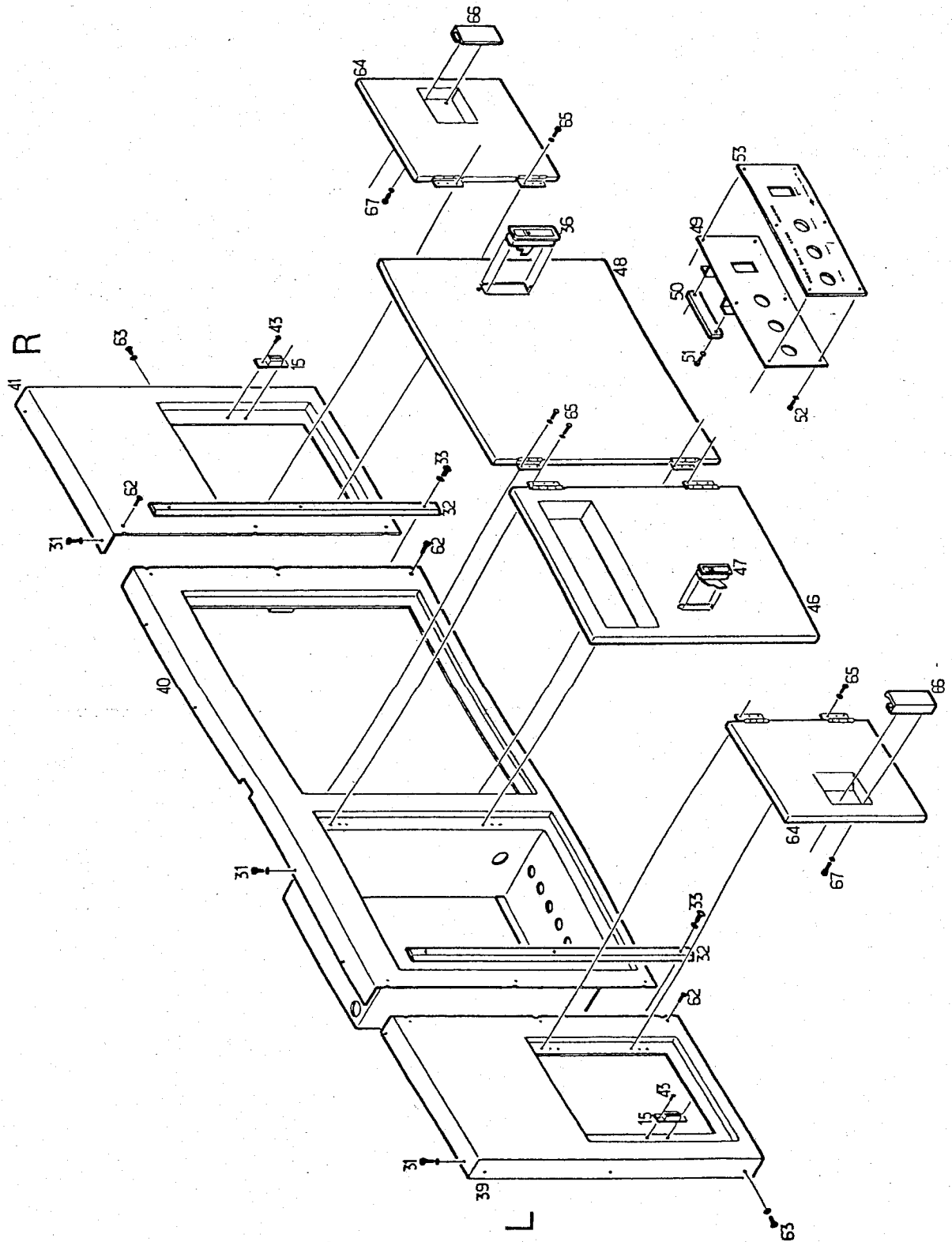
PART No.	PART NAME
100 B (1/3)	FRAME PART
100 B (2/3)	FRONT COVER PART
100 B (3/3)	BACK COVER PART
101 B (1/2)	TOP COVER PART
101 B (2/2)	TOP COVER PART
102 C	COVER STOPPER PART
103 B	DRIVING PART
104 B	MAIN SHAFT PART
105 A	CRANK PART
106 A	PUSH BAR PART
107 A	PULLING CLAW DRIVING PART
108 B	BLOWER PART
109 B	CAM SHAFT PART
110 B	PULLING CLAW PART
111 B	CLEANING KNIFE PART
112 A	HAMMER PART
113 B	CLEANING HEAD, BOBBIN STOPPER PART
114 B	CHUTE PART
115 B	LAMELLAS, UNDER BOBBIN HOLDER PART
116 A	DROP BOBBIN ADJUSTMENT PART
118 A	PROXIMITY SWITCH PART

100B FRAME PART



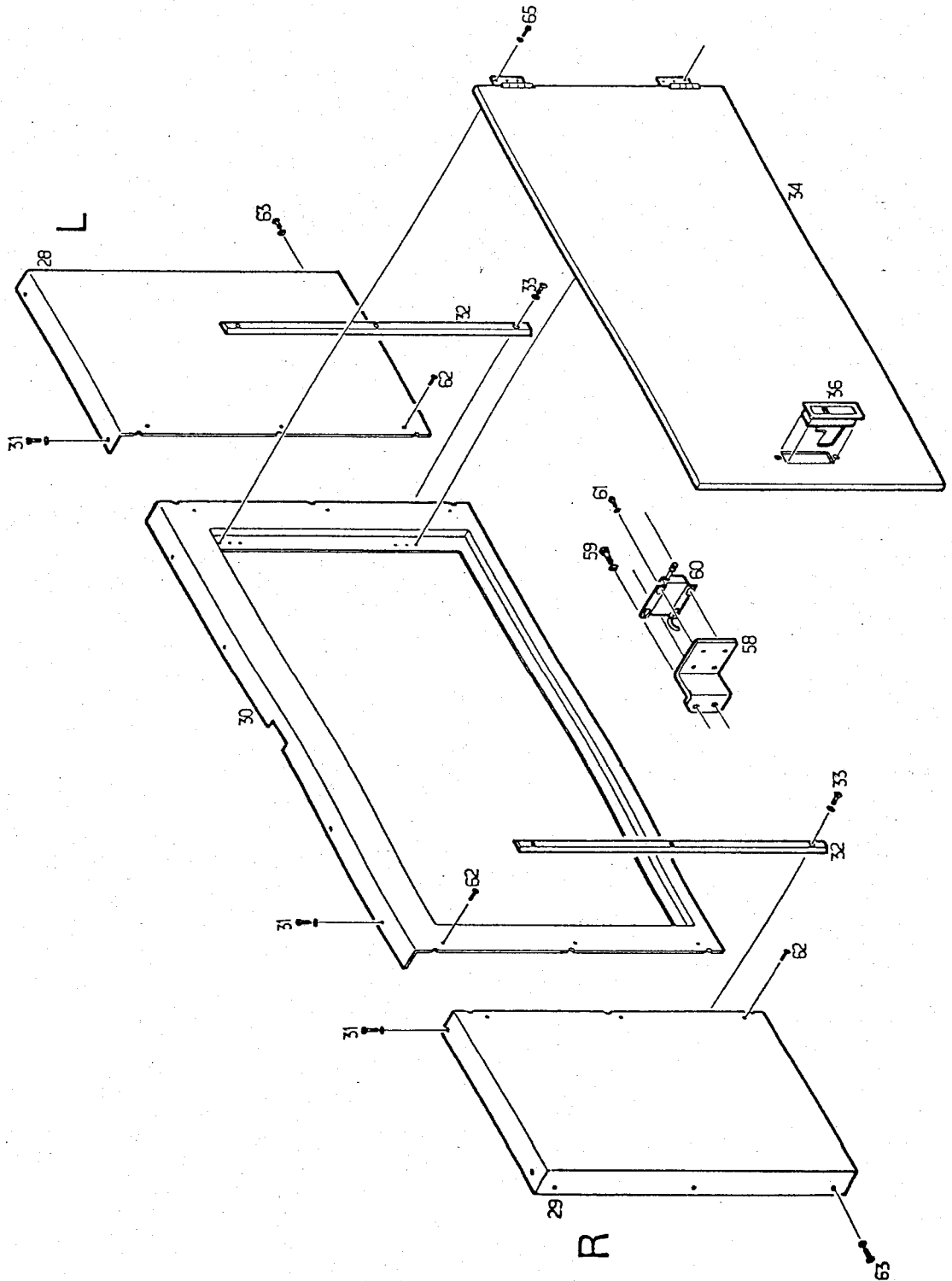
ASSY. NO. 100 B		ASSY. NAME FRAME PART		
PART NO.	DRAWING NO.	PART NAME	Q'TY	REMARKS
100B - 4	KM - 100	LEVELING BLOCK	4	+N
100B - 31		HEX. BOLT	6	M5 x 10 W + SW
100B - 37	260934	SIDE COVER	2	
100B - 38		F.H. SCREW	12	M4 x 8
100B - 54	160660 B	FRAME	1	
100B - 55	160664 B	BEAM	1	
100B - 56	362010	BEAM FOOT	2	
100B - 57	461264	BEAM BOLT	4	M12 x 140

100B FRONT COVER PART



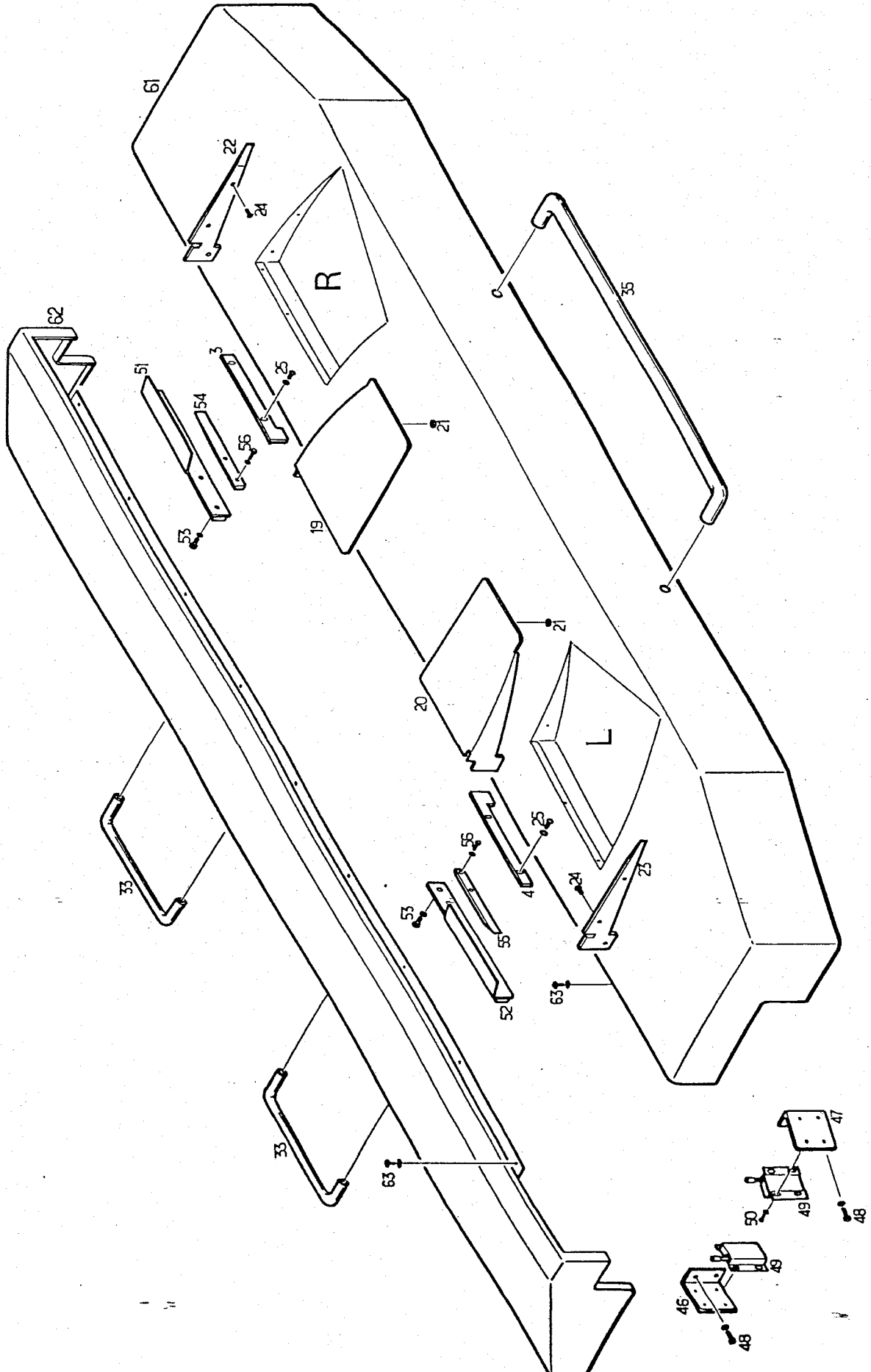
ASSY. NO. 100 B		ASSY. NAME FRONT COVER PART		
PART NO.	DRAWING NO.	PART NAME	Q'TY	REMARKS
100B - 15	C-100-A-2	MAGNET	2	
100B - 31		HEX. BOLT	8	M 5 x 10 W + SW
100B - 32	361722	PLATE	2	
100B - 33		R.H. SCREW	6	M 5 x 12
100B - 36	A-150-2	DOOR KNOB	1	
100B - 39	261148 B	FRONT COVER	1	L
100B - 40	160662	FRONT COVER	1	
100B - 41	261148 A	FRONT COVER	1	R
100B - 43		R.H. SCREW	4	M 3 x 8 SW
100B - 46	260937	CONTROL BOX DOOR	1	
100B - 47	A-150-3	DOOR KNOB	1	
100B - 48	260935	FRONT DOOR	1	
100B - 49	361720	CONTROL PLATE	1	
100B - 50	460707	BRACKET	2	
100B - 51		HEX. BOLT	4	M 6 x 10 SW
100B - 52		HEX. BOLT	6	M 4 x 10 W + SW
100B - 53	361738	CONTROL PANEL	1	
100B - 62		F.H. SCREW	12	M 4 x 8
100B - 63		R.H. SCREW	6	M 5 x 12 W
100B - 64	362369	DOOR	2	
100B - 65		HEX. BOLT	24	M 4 x 10 W + SW
100B - 66	A-190-1-1	DOOR KNOB	2	
100B - 67		HEX. BOLT	4	M 6 x 10 W + SW

100B BACK COVER PART



ASSY. NO. 100 B		ASSY. NAME BACK COVER PART		
PART NO.	DRAWING NO.	PART NAME	Q'TY	REMARKS
100B - 28	261147A	BACK COVER	1	L
100B - 29	261147B	BACK COVER	1	R
100B - 30	160661	BACK COVER	1	
100B - 31		HEX. BOLT	8	M 5 x 10 W + SW
100B - 32	361722	PLATE	2	
100B - 33		R.H. SCREW	6	M 5 x 12
100B - 34	260936	BACK DOOR	1	
100B - 36	A - 150 - 2	DOOR KNOB	1	
100B - 58	461250	DOOR SWITCH STAND	1	
100B - 59		HEX. BOLT	2	M 6 x 12 SW
100B - 60		DOOR SWITCH	1	
100B - 61		R.H. SCREW	4	M 4 x 8 W + SW
100B - 62		F.H. SCREW	12	M 4 x 8
100B - 63		R.H. SCREW	6	M 5 x 12 W
100B - 65		HEX. BOLT	6	M 4 x 10 W + SW

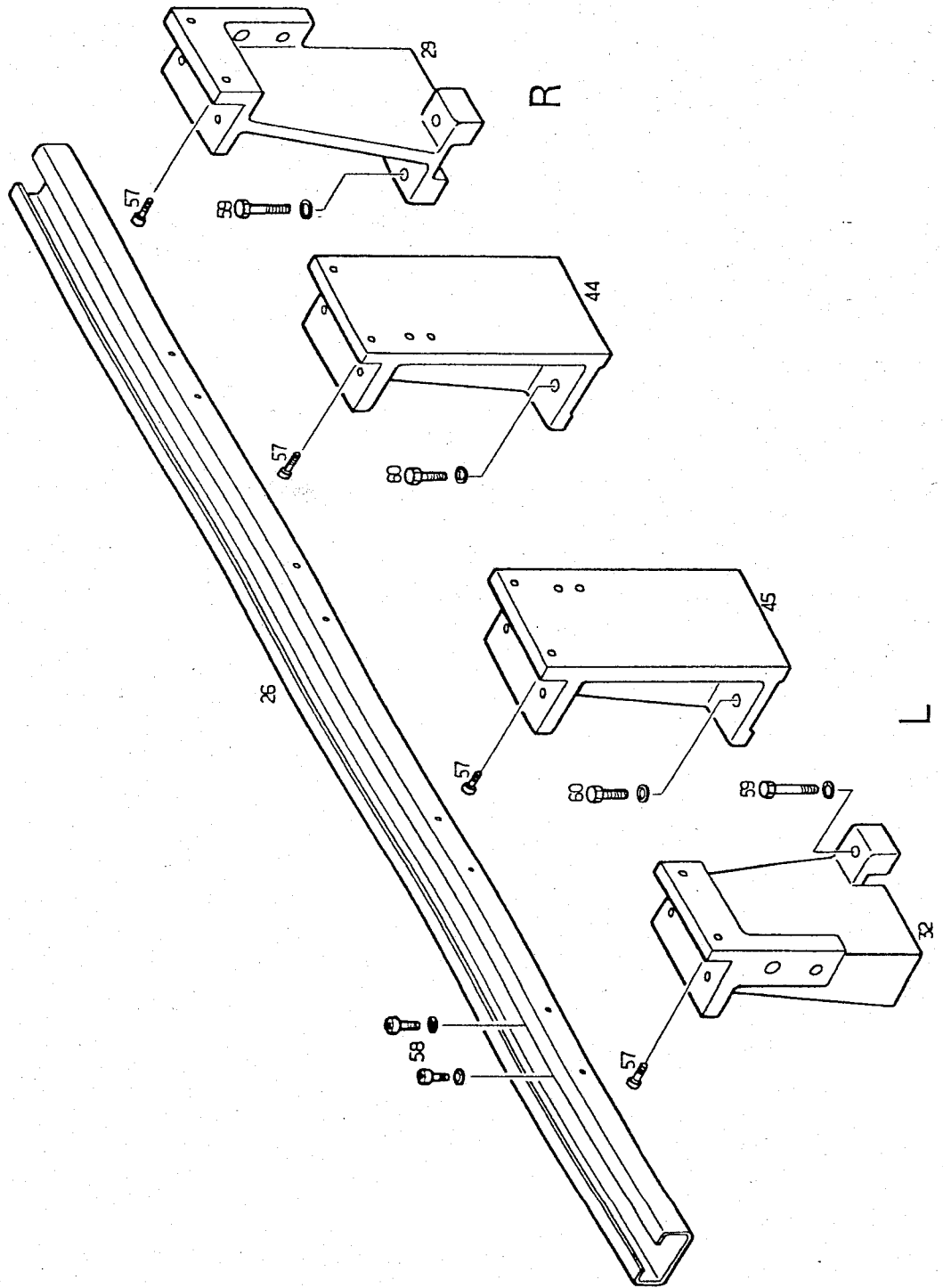
101B TOP COVER PART



ASSY. NO. 101 B		ASSY. NAME TOP COVER PART		
PART NO.	DRAWING NO.	PART NAME	Q'TY	REMARKS
101B - 63		SOCKET SCREW	18	M 5 x 12 W + SW (W=SPECIAL)
101B - 3	361138	BOBBIN REGULATOR	1	R
101B - 4	361138	BOBBIN REGULATOR	1	L
101B - 62	160651 C	REAR TOP COVER	1	
101B - 61	160650 C	TOP COVER	1	
101B - 19	361719 A	BOBBIN GUIDE PLATE	1	R
101B - 20	361719 B	BOBBIN GUIDE PLATE	1	L
101B - 21		HEX. NUT	4	M 5 SW
101B - 22	361139 A	* BOBBIN GUIDE	1	R NYLON
101B - 23	361139 B	* BOBBIN GUIDE	1	L NYLON
101B - 24		R.H. SCREW	6	M 5 x 12 SW + N
101B - 25		R.H. SCREW	4	M 5 x 12 W
101B - 33	A-42-C-1	REAR TOP COVER KNOB	2	
101B - 35	461267	TOP COVER KNOB	1	
101B - 46	362026 B	DOOR SWITCH BRACKET	1	BACK
101B - 47	362026 A	DOOR SWITCH BRACKET	1	FRONT
101B - 48		HEX. BOLT	4	M 6 x 20 SW
101B - 49		DOOR SWITCH	2	
101B - 50		R.H. SCREW	8	M 4 x 8 W + SW
101B - 51	362560 A	* TOP COVER GUIDE	1	R
101B - 52	362560 B	* TOP COVER GUIDE	1	L
101B - 53		HEX. BOLT	4	M 5 x 12 W + SW
101B - 54	461509 A	* TOP COVER GUIDE	1	R
101B - 55	461509 B	* TOP COVER GUIDE	1	L
101B - 56		HEX. BOLT	4	M 5 x 10 W + SW

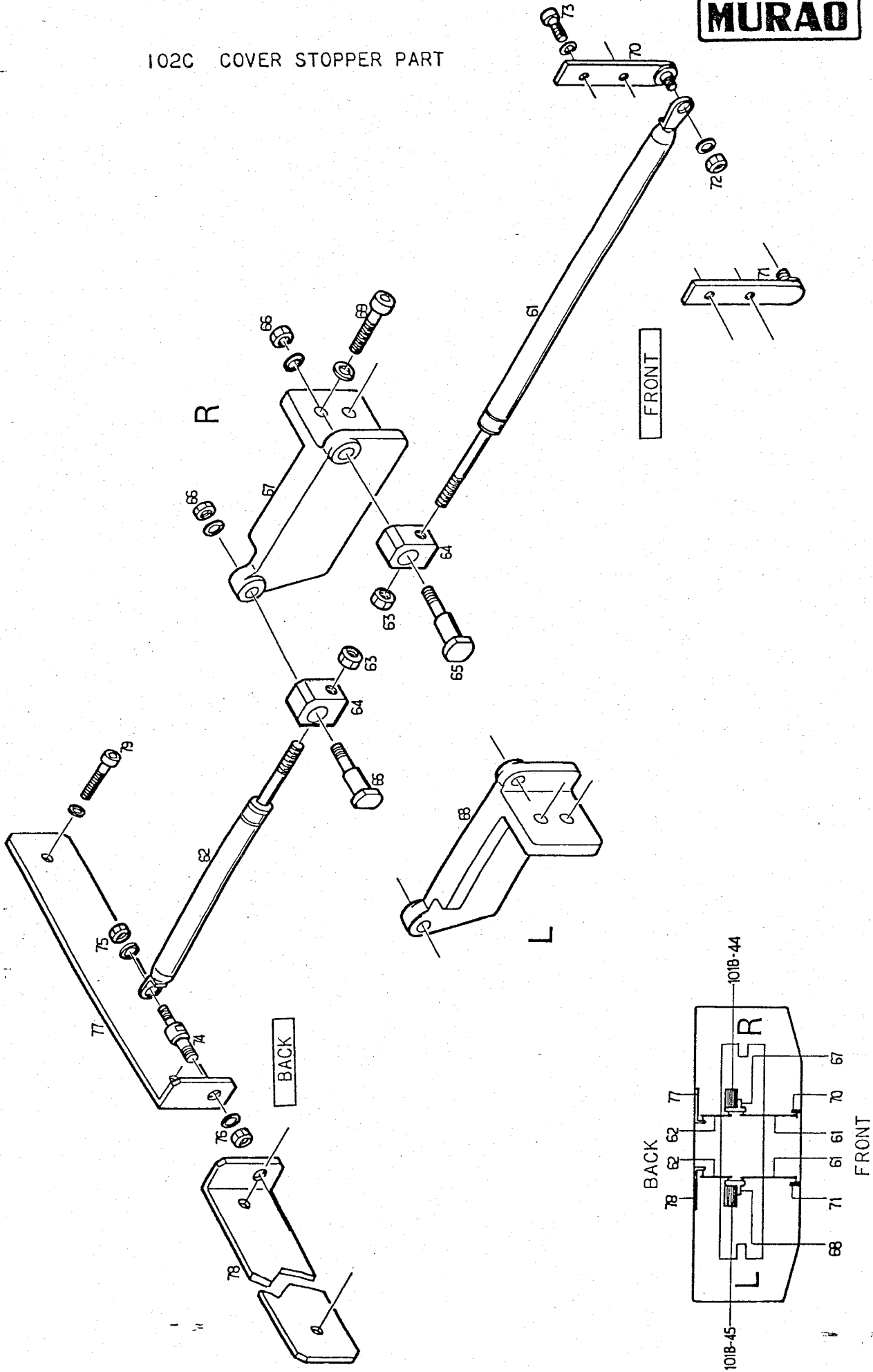
* Employment of these parts depends on the kind of bobbin.

101B TOP COVER PART



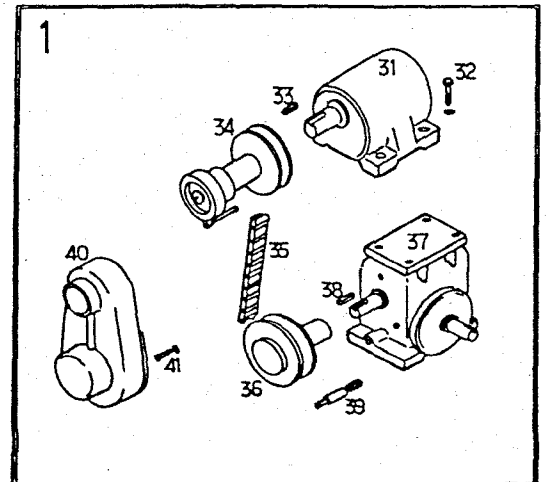
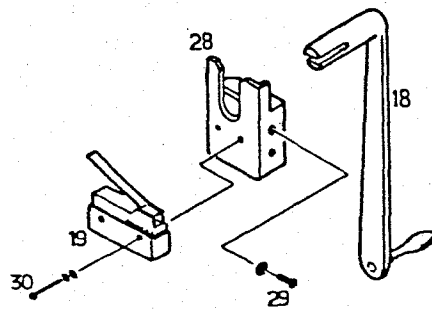
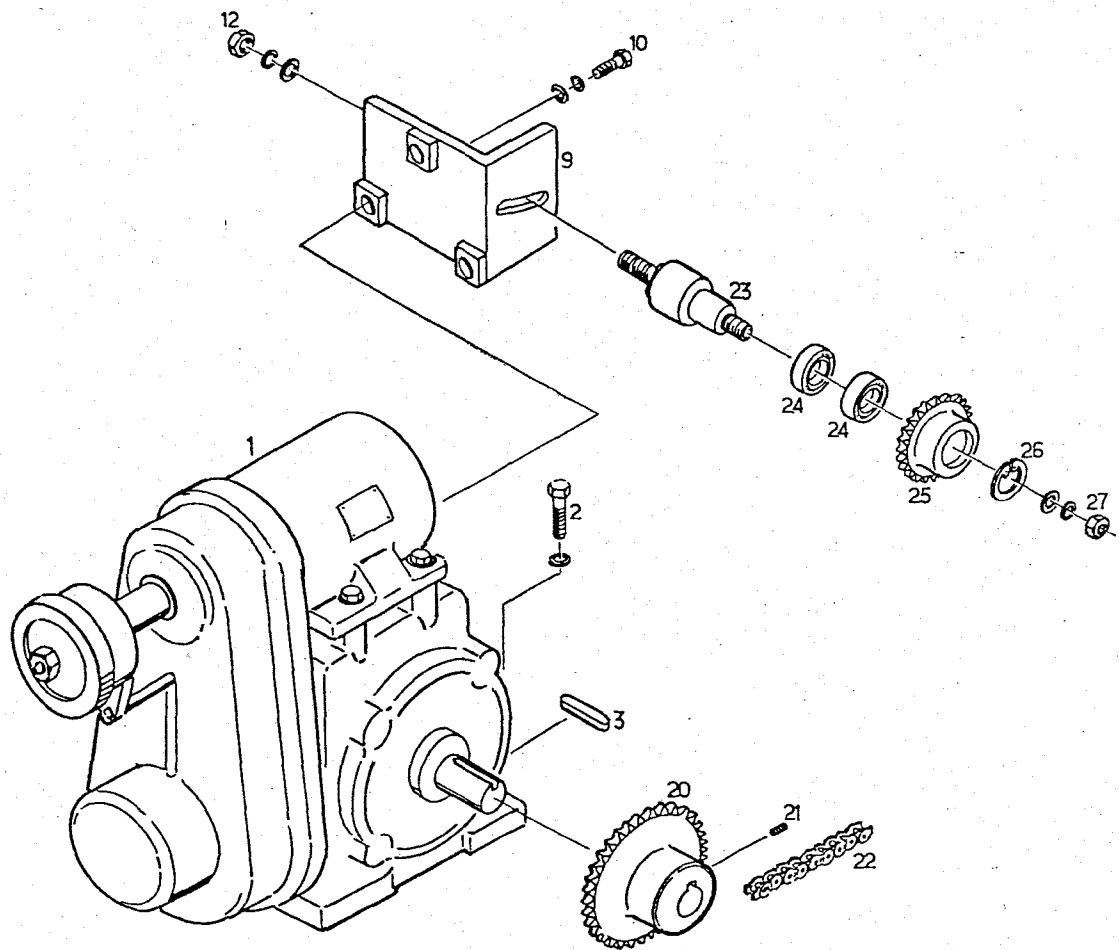
ASSY. NO. 101 B		ASSY. NAME TOP COVER PART		
PART NO.	DRAWING NO.	PART NAME	Q'TY	REMARKS
101B - 26	260727	COVER STAY	1	
101B - 29	261139 A	COVER BRACKET	1	R
101B - 32	261139 B	COVER BRACKET	1	L
101B - 44	362149 A	COVER BRACKET	1	R
101B - 45	362149 B	COVER BRACKET	1	L
101B - 57		CAP SCREW	8	M 6 x 15 W + SW
101B - 58		CAP SCREW	8	M 8 x 15 W + SW
101B - 59		HEX. BOLT	6	M 12 x 50 W + SW
101B - 60		HEX. BOLT	4	M 12 x 30 W + SW

102C COVER STOPPER PART



ASSY. NO. 102 C		ASSY. NAME COVER STOPPER PART		
PART NO.	DRAWING NO.	PART NAME	Q'TY	REMARKS
102C - 61	362386 A	GAS SPRING	2	FRONT
102C - 62	362386 B	GAS SPRING	2	BACK
102C - 63		HEX. NUT	4	M 10
102C - 64	461502	ECCENTRIC STUD	4	
102C - 65	461501	STUD	4	
102C - 66		HEX. NUT	4	M 10 SW
102C - 67	362385 A	GAS SPRING BRACKET	1	R
102C - 68	362385 B	GAS SPRING BRACKET	1	L
102C - 69		CAP SCREW	4	M 10 x 30 SW
102C - 70	461500 B	GAS SPRING BRACKET	1	R
102C - 71	461500 A	GAS SPRING BRACKET	1	L
102C - 72		HEX. NUT	2	M 8 W + SW
102C - 73		CAP SCREW	4	M 8 x 15 SW
102C - 74	461503	COVER STUD	2	
102C - 75		HEX. NUT	2	M 8 W + SW
102C - 76		HEX. NUT	2	M 10 W + SW
102C - 77	362384 B	GAS SPRING PLATE	1	R
102C - 78	362384 A	GAS SPRING PLATE	1	L
102C - 79		CAP SCREW	4	M 8 x 20 W + SW

103B DRIVING PART

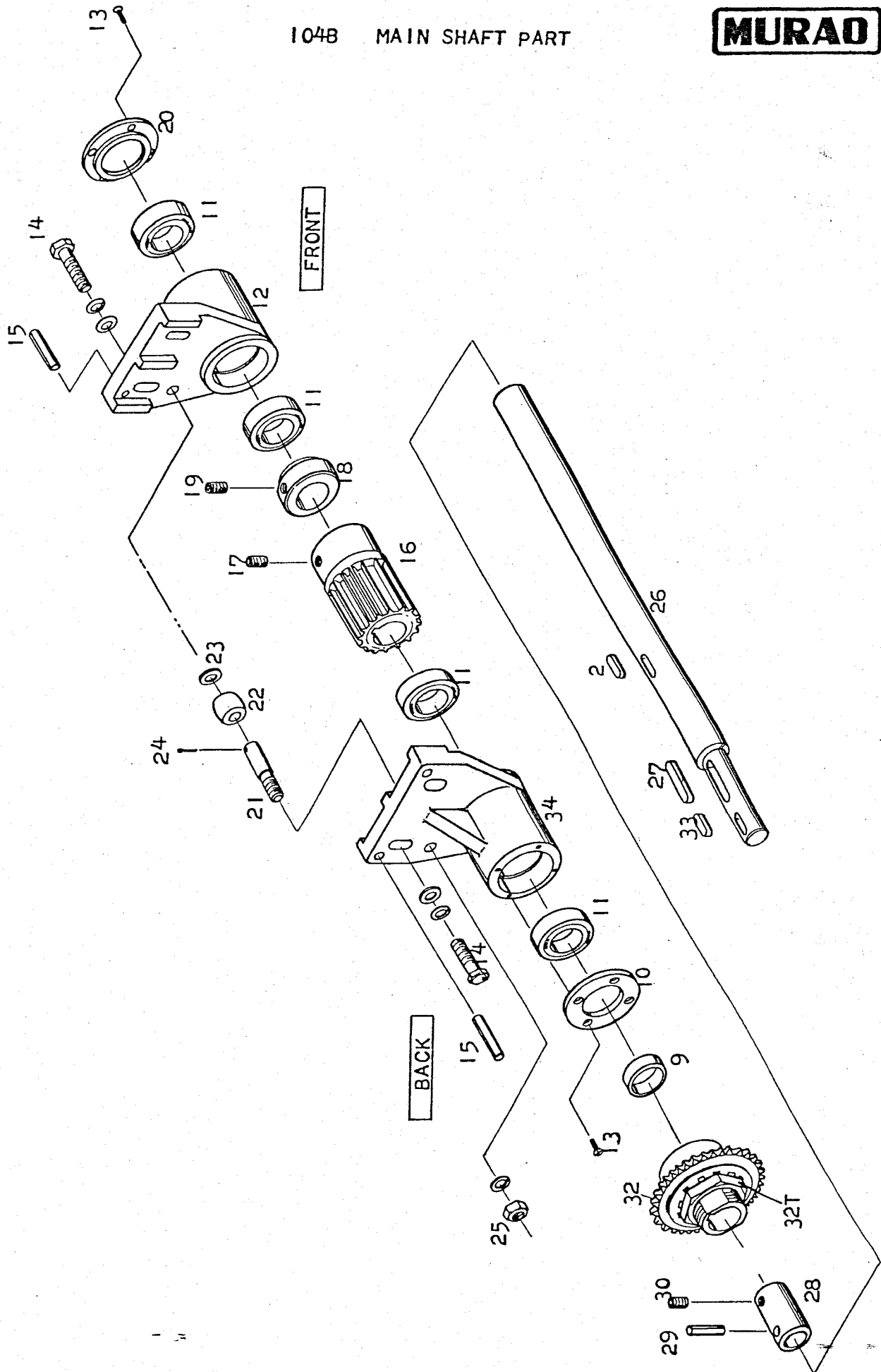




ASSY. NO. 103 B		ASSY. NAME	DRIVING PART	
PART NO.	DRAWING NO.	PART NAME	Q'TY	REMARKS
103B - 1	AWS - 1010	POWER UNIT	1	
103B - 2		HEX. BOLT	4	M 10 x 30 W + SW
103B - 3		KEY	1	
103B - 9	361128	TENSION BRACKET	1	
103B - 10		HEX. BOLT	3	M 10 x 30 W + SW
103B - 12		HEX. NUT	1	M 12 W + SW
103B - 18	260602	HANDLE	1	
103B - 19		MICRO SWITCH	1	
103B - 20	361624-2	SPROCKET WHEEL	1	5/8" x 46 T
103B - 21		SET SCREW	1	M 6 x 8
103B - 22		CHAIN	1	5/8" x 81 LINKS
103B - 23	461115	TENSION SHAFT	1	
103B - 24		BALL BEARING	2	6002 zz
103B - 25	460992	TENSION SPROCKET	1	5/8" x 15 T
103B - 26		STOP RING	1	H - 32
103B - 27		HEX. NUT	1	M 10 W + SW
103B - 28	361127	HANDLE BRACKET	1	
103B - 29		R.H. SCREW	2	M 5 x 12 W
103B - 30		R.H. SCREW	2	M 4 x 25 W + SW + N
103B - 31		MOTOR	1	0.75 kw x 4 p
103B - 32		HEX. BOLT	4	M 8 x 25 W + SW
103B - 33		KEY	1	
103B - 34		SPEED CHANGE HANDLE	1	
103B - 35		SPECIAL V - BELT	1	RCVS - 310775
103B - 36		VALI PITCH PULLEY	1	
103B - 37		SPEED REDUCER	1	
103B - 38		KEY	1	
103B - 39	461623	OIL DRAIN COCK	1	COMPLETE
103B - 40		COVER	1	

104B MAIN SHAFT PART

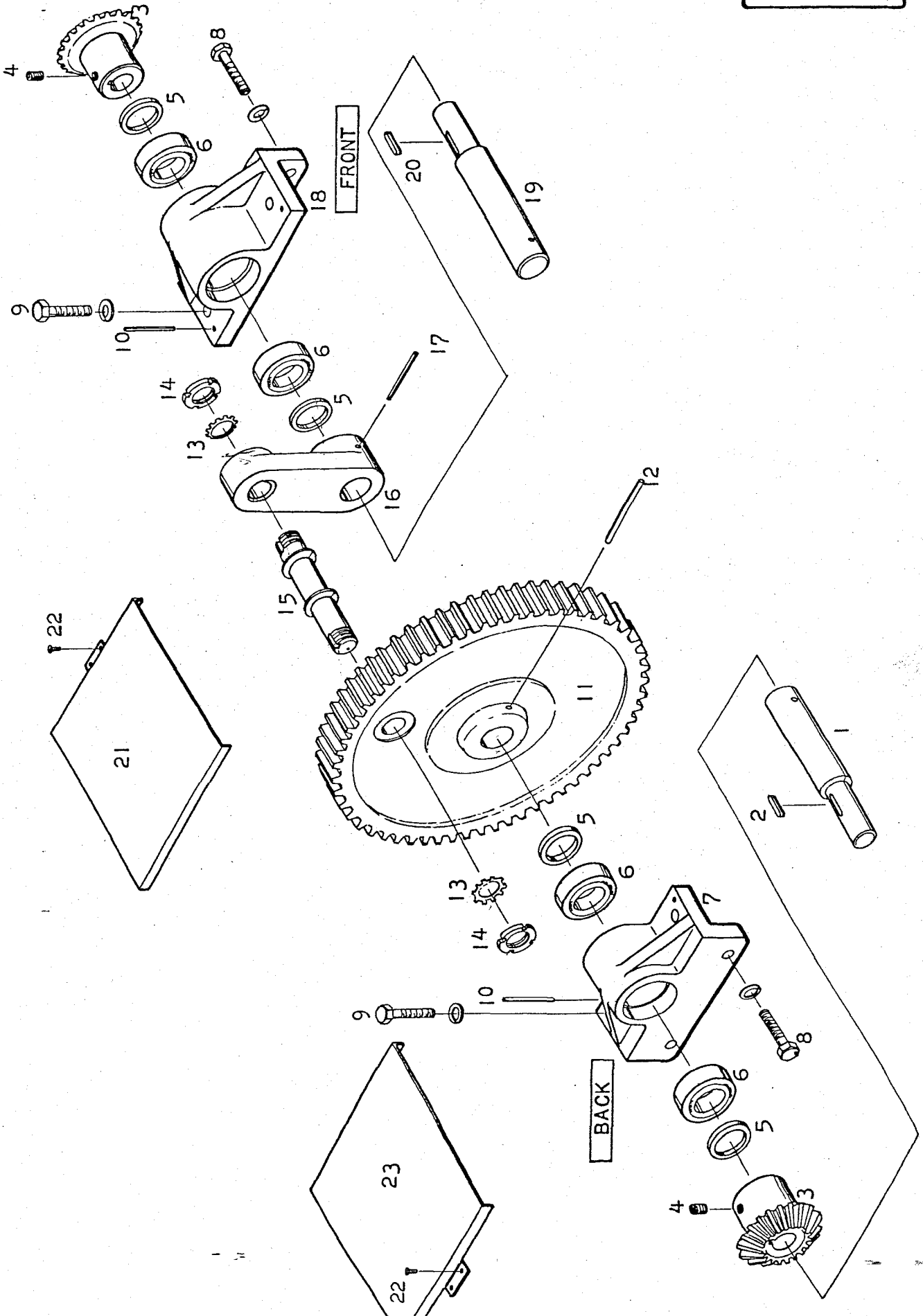
MURAO



ASSY. NO. 104 B		ASSY. NAME	MAIN SHAFT PART	
PART NO.	DRAWING NO.	PART NAME	Q'TY	REMARKS
104B - 2		KEY	1	10 x 8 x 40
104B - 9	460720	COLLAR	1	
104B - 10	360804	BEARING COVER	1	
104B - 11		BALL BEARING	4	6007 zz
104B - 12	260685	MAIN SHAFT BRACKET	1	FRONT
104B - 13		F.H. SCREW	8	M 5 x 15
104B - 14		HEX. BOLT	4	M 12 x 45 W + SW
104B - 15		SPRING ROLL PIN	4	∅ 6 x 30
104B - 16	360843	PINION	1	M 4 x 15 T
104B - 17		SET SCREW	1	M 8 x 8
104B - 18	460430	SET COLLAR	1	
104B - 19		SET SCREW	1	M 8 x 8
104B - 20	360804	BEARING COVER	1	
104B - 21	460427	GUIDE ROLLER SHAFT	2	
104B - 22	460706 AB	GUIDE ROLLER	2	
104B - 23	460429	GUIDE ROLLER WASHER	2	
104B - 24		SPLIT PIN	2	∅ 2 x 18
104B - 25		HEX. NUT	2	M 10 SW
104B - 26	261141	MAIN SHAFT	1	
104B - 27		KEY	1	7 x 7 x 50
104B - 28	460714	HANDLE HOLDER	1	
104B - 29		SPRING ROLL PIN	1	∅ 6 x 40
104B - 30		SET SCREW	1	M 6 x 10
104B - 32	460993	SPROCKET WHEEL	1	5/8" x 26 T
104B - 32T	460993	TORQUE LIMITER	1	TL - 350 - 2
104B - 33		KEY	1	7 x 7 x 25
104B - 34	260685	MAIN SHAFT BRACKET	1	BACK

105A CRANK PART

MURAO



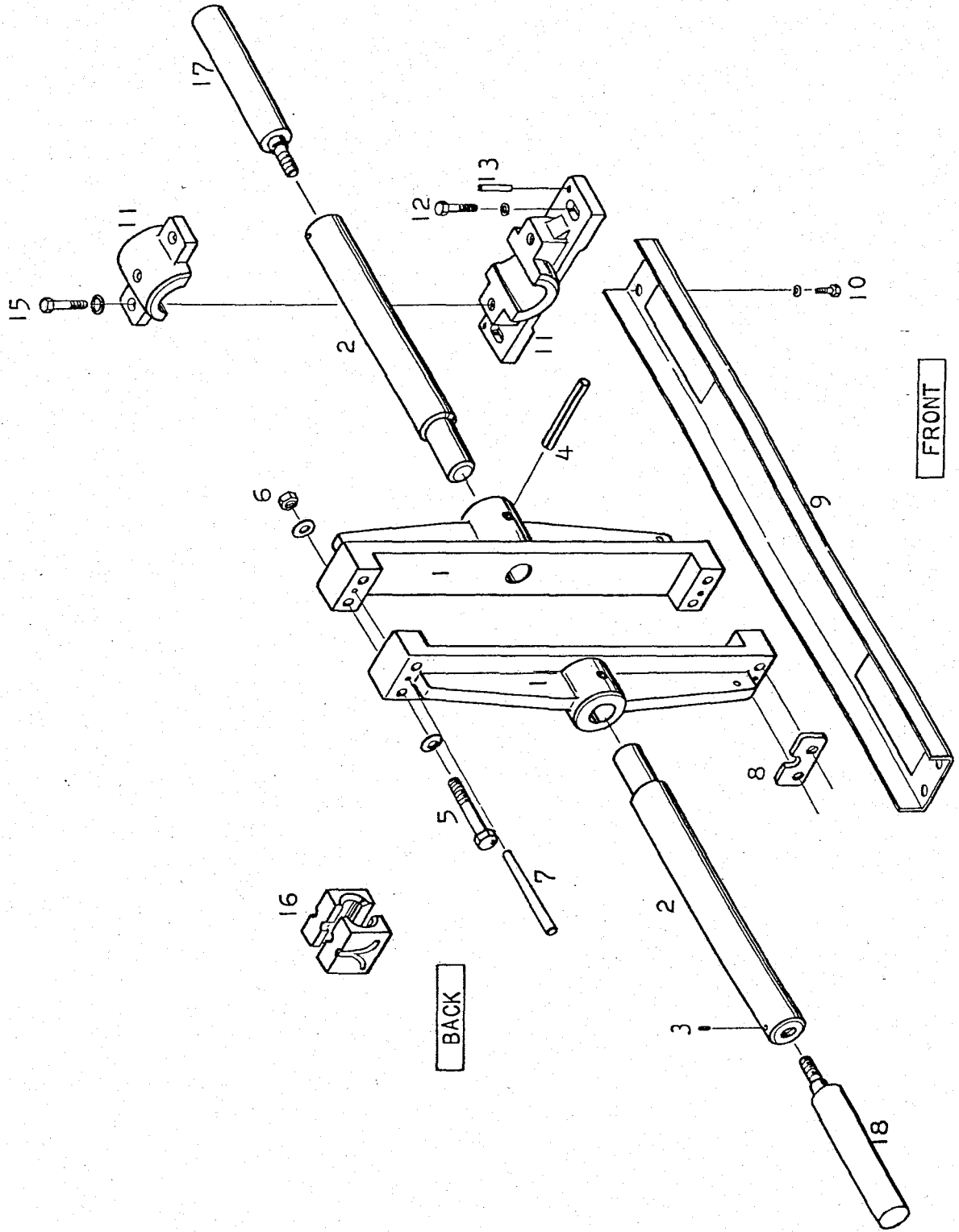
ASSY. NO. 105 A		ASSY. NAME CRANK PART		
PART NO.	DRAWING NO.	PART NAME	Q'TY	REMARKS
105A - 1	360848 A	BEVEL GEAR SHAFT	1	BACK
105A - 2		KEY	1	7 x 7 x 30
105A - 3	362156	BEVEL GEAR	2	M 4 x 22 T
105A - 4		SET SCREW	1	M 8 x 8
105A - 5	460274	COLLAR	4	
105A - 6		BALL BEARING	4	6007 zz
105A - 7	260543 A	BEVEL SHAFT BRACKET	1	BACK
105A - 8		HEX. BOLT	4	M 10 x 30 SW
105A - 9		HEX. BOLT	4	M 10 x 30 SW
105A - 10		SPRING ROLL PIN	4	∅ 4 x 20
105A - 11	260683	CRANK GEAR	1	M 4 x 102 T
105A - 12		SPRING ROLL PIN	1	∅ 6 x 50
105A - 13		BEARING WASHER	2	AW - 05
105A - 14		BEARING NUT	2	AN - 05
105A - 15	360849	CRANK SHAFT	1	
105A - 16	361081	CRANK ARM	1	
105A - 17		SPRING ROLL PIN	1	∅ 6 x 60
105A - 18	260543 B	BEVEL SHAFT BRACKET	1	FRONT
105A - 19	360848 B	BEVEL SHAFT	1	FRONT
105A - 20		KEY	1	7 x 7 x 30
105A - 21	361796 A	BEVEL GEAR COVER	1	FRONT
105A - 22		F.H. SCREW	4	M 5 x 8
105A - 23	361796 B	BEVEL GEAR COVER	1	BACK

** 105A - 1, 11, 12, 13, 14, 15, 16, 17, 19

These parts shall be ordered as a complete set.

However part No. 105A - 12, 13, 14, 17 can be ordered individually.

106A PUSH BAR PART



ASSY. NO. 106 A		ASSY. NAME PUSH BAR PART		
PART NO.	DRAWING NO.	PART NAME	Q'TY	REMARKS
106A - 1	260684	SLIDE BAR	2	
106A - 2	361082	SLIDE SHAFT	2	
106A - 3		SET SCREW	2	M 6 x 6
106A - 4		SPRING ROLL PIN	2	∅ 6 x 50
106A - 5		HEX. BOLT	4	M 10 x 90 SW
106A - 6		HEX. NUT	4	M 10 SW
106A - 7		TAPER PIN	2	∅ 6 x 60
106A - 8	460426	SLIDE PLATE	1	
106A - 9	361083	GUIDE RAIL	1	
106A - 10		HEX. BOLT	4	M 6 x 15
106A - 11	260601 AB	SLIDE METAL	2	COMPLETE
106A - 12		HEX. BOLT	4	M 10 x 30 W + SW
106A - 13		SPRING ROLL PIN	4	∅ 6 x 20
106A - 15		HEX. BOLT	4	M 10 x 30 SW
106A - 16	360854	SLIDE BLOCK	1	
106A - 17	362118	PUSH BAR	1	R
106A - 18	362118	PUSH BAR	1	L

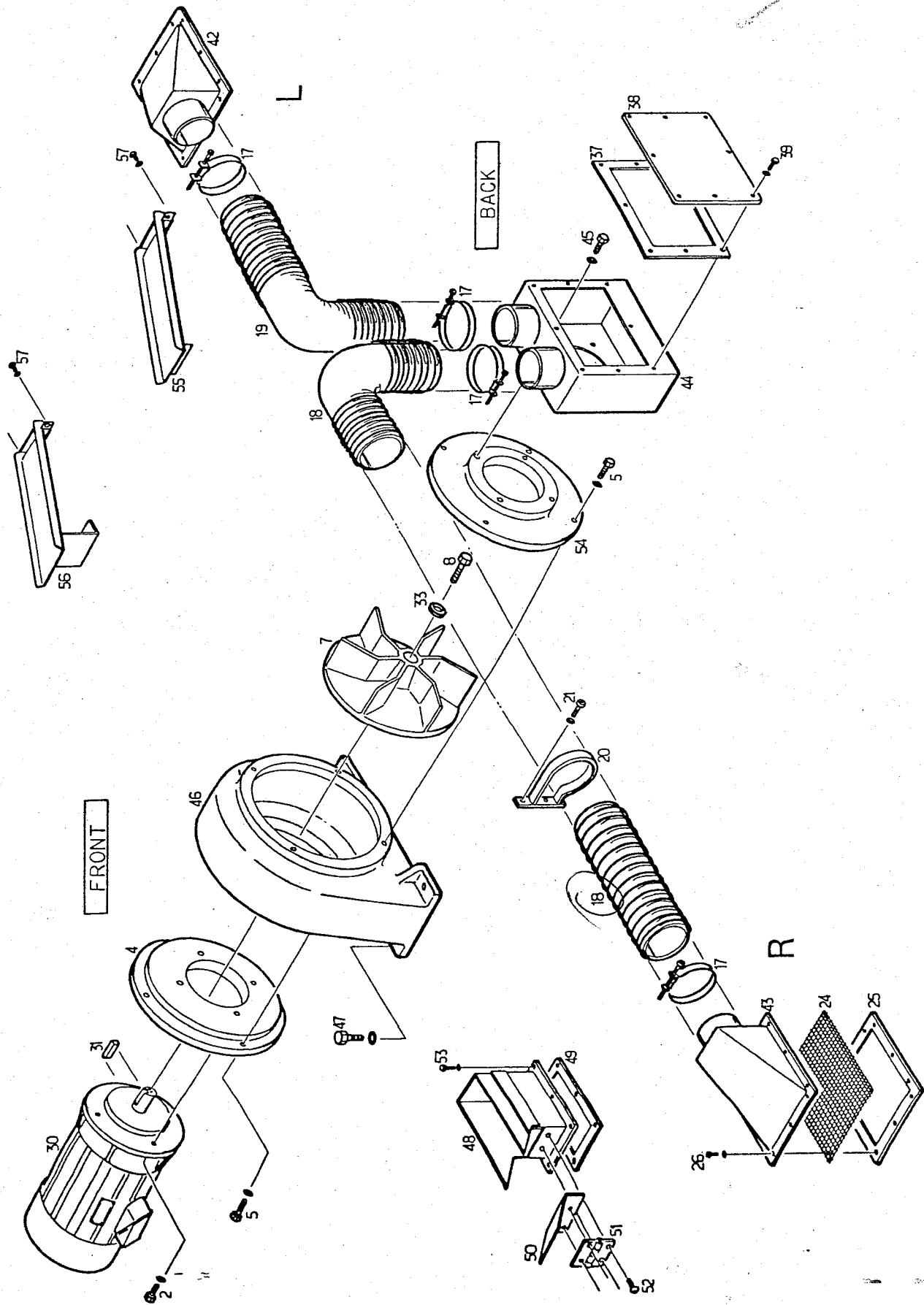
** 106 A - 1, 2, 3, 4, 5, 6, 7.

These parts shall be ordered as a complete set.

However part No. 106 A - 3, 4, 5, 6, 7 can be ordered individually.

ASSY. NO. 107 A		ASSY. NAME PULLING CLAW DRIVING PART		
PART NO.	DRAWING NO.	PART NAME	Q'TY	REMARKS
107A - 3		CHAIN	2	5/8" 33 LINKS
107A - 4	460496 B	TENSION BOLT	1	M 10 LEFT-HAND THREAD
107A - 5		HEX. NUT	1	M 10
107A - 6		BEARING NUT	1	AN - 02
107A - 7	460497	TURN BUCKLE	1	
107A - 8		HEX. NUT	1	M 10
107A - 9	460496 A	TENSION BOLT	1	M10 RIGHT-HAND THREAD
107A - 12		SET SCREW	4	M 8 x 15
107A - 13	460494	SPROCKET SHAFT	2	
107A - 14	460495	COLLAR	4	
107A - 15		SET SCREW	8	M 6 x 6
107A - 16		STOP RING	2	H - 42
107A - 17		BALL BEARING	4	6004 zz
107A - 18	360810	SPROCKET WHEEL	2	5/8" x 20 T
107A - 19		HEX. BOLT	4	M 10 x 25 W + SW
107A - 20	362009	SPROCKET BRACKET	2	
107A - 21		HEX. BOLT	4	M 10 x 30 W + SW
107A - 22	261145	SLIDE RAIL BRACKET	1	

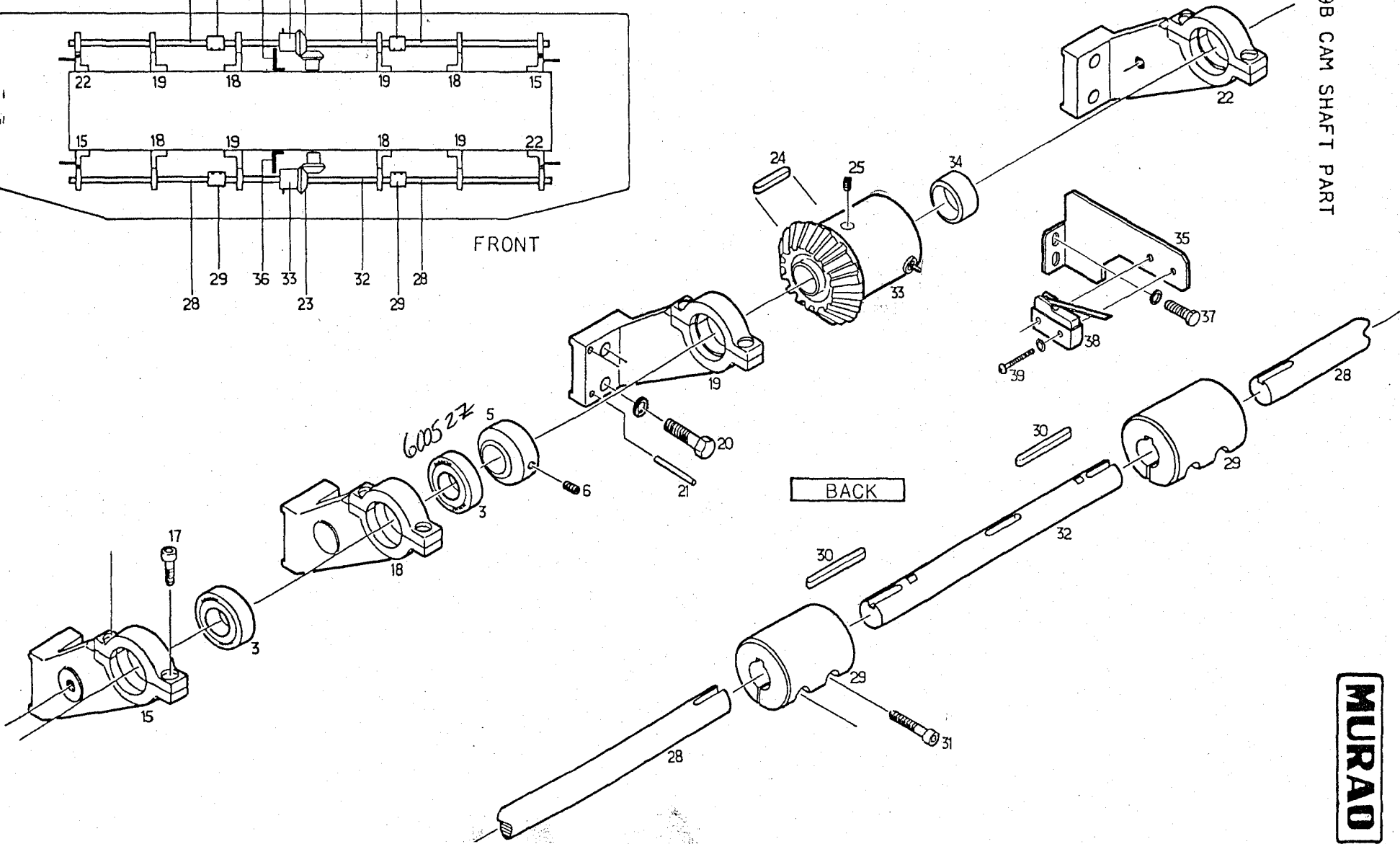
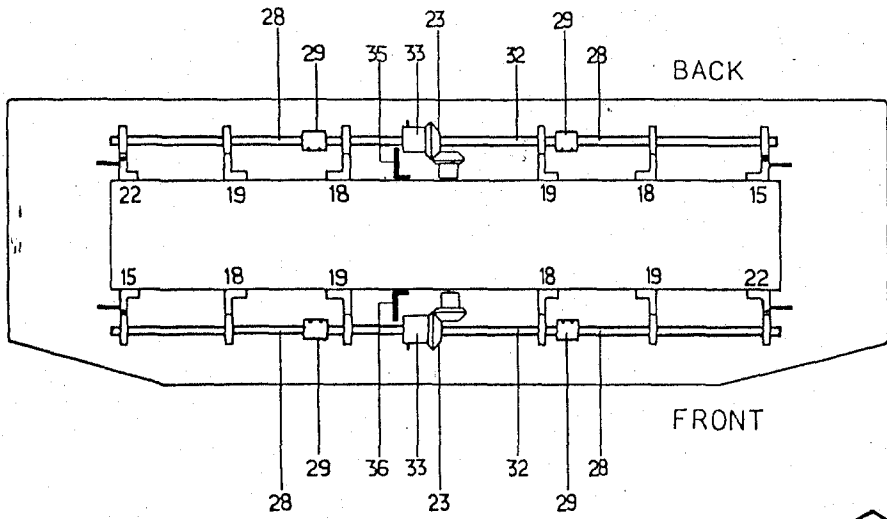
108B BLOWER PART





ASSY. NO. 108 B		ASSY. NAME BLOWER PART		
PART NO.	DRAWING NO.	PART NAME	Q'TY	REMARKS
108B - 2		HEX. BOLT	4	M 8 x 25 SW
108B - 4	350126	BLOWER CASING COVER	1	
108B - 5		HEX. BOLT	8	M 8 x 25 Sw
108B - 7	260939	IMPELLER	1	
108B - 8		HEX. BOLT	1	M 6 x 25 W + SW
108B - 17		WIRE BAND	4	# 100
108B - 18		SUCTION HOSE	1	# 90
108B - 19		SUCTION HOSE	1	# 90
108B - 20	361791	HOSE HOLDER	1	
108B - 21		CAP SCREW	2	M 6 x 10 SW
108B - 24	460704	FILTRAIID	2	
108B - 25	460781	PACKING	2	
108B - 26		HEX. BOLT	22	M 5 x 12 W + SW
108B - 30	361735	BLOWER MOTOR	1	1.0 kw x 2 p
108B - 31		KEY	1	
108B - 33	461091	WASHER	1	
108B - 37	461082	PACKING	1	
108B - 38	361717	COVER	1	
108B - 39		HEX. BOLT	8	M 5 x 12 W + SW
108B - 42	260959 B	DUCT	1	L
108B - 43	260959 A	DUCT	1	R
108B - 44	261150	BLOWER BOX	1	
108B - 45		HEX. BOLT	4	M 8 x 12 W + SW
108B - 46	261040	BLOWER CASING	1	
108B - 47		HEX. BOLT	4	M10 x 25 W + SW
108B - 48	261143	SUCTION BUCKET	2	
108B - 49	461380	PACKING	2	
108B - 50	362354	JOINT PLATE	2	
108B - 51	B - 46 - 1	SPRING HINGE	2	
108B - 52		R.H. SCREW	8	M 5 x 10 W + SW + N
108B - 53		HEX. BOLT	12	M 5 x 12 W + SW
108B - 54	362345	BLOWER CASING COVER	1	
108B - 55	362366B	OIL CATCHER	2	BACK
108B - 56	362365B	OIL CATCHER	2	FRONT
108B - 57		HEX. BOLT	8	M 6 x 10 W + SW

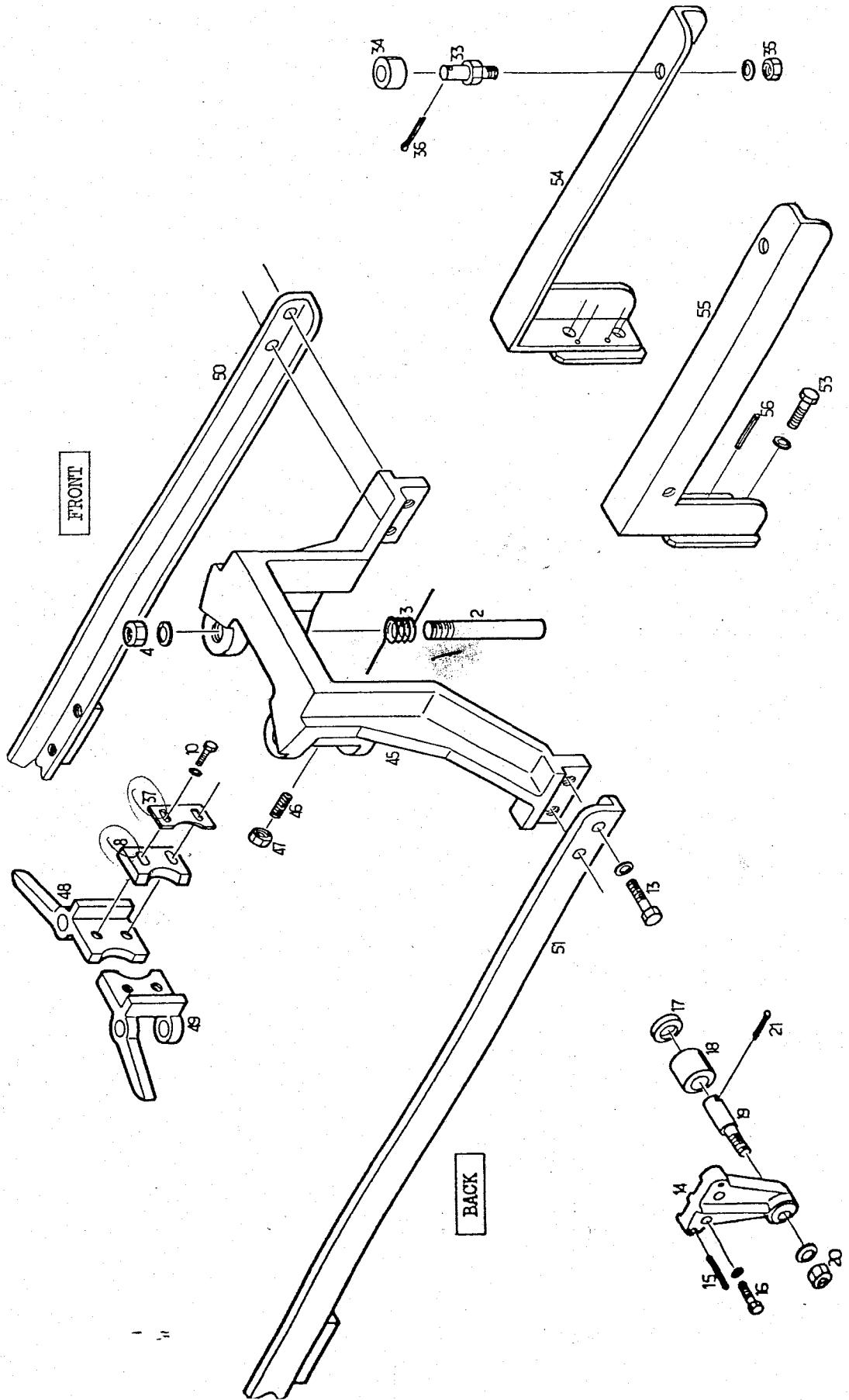
109B CAM SHAFT PART



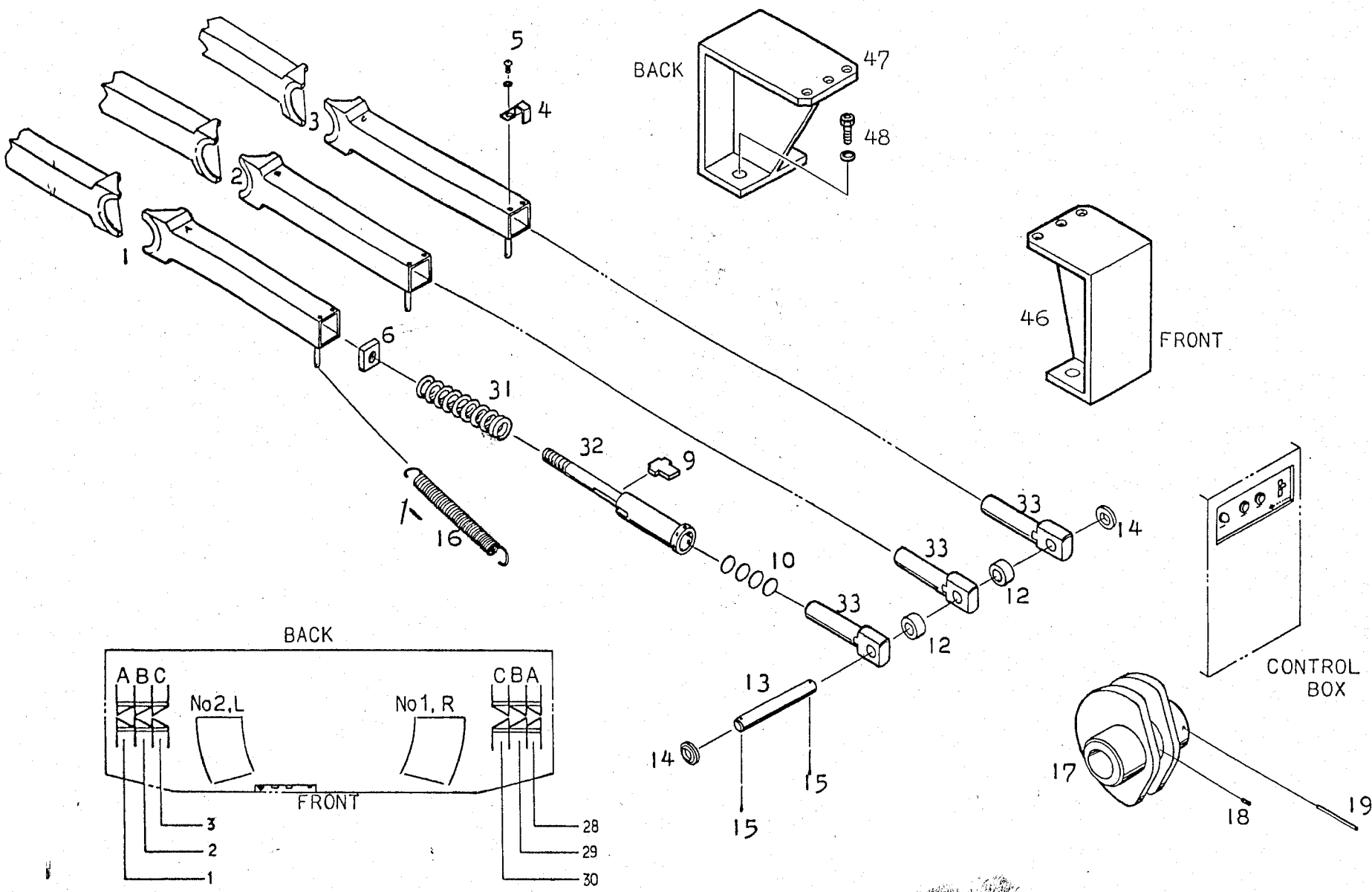
MURAO

ASSY. NO. 109 B		ASSY. NAME CAM SHAFT PART		
PART NO.	DRAWING NO.	PART NAME	Q'TY	REMARKS
109B - 3		BALL BEARING	12	6005 zz
109B - 5	460455	CAM SHAFT COLLAR	8	
109B - 6		SET SCREW	8	M 6 x 10
109B - 15	362390 D	CAM SHAFT BRACKET (D)	2	
109B - 17		CAP SCREW	24	M 8 x 25
109B - 18	362390 B	CAM SHAFT BRACKET (B)	4	
109B - 19	362390 C	CAM SHAFT BRACKET (C)	4	
109B - 20		HEX. BOLT	24	M 10 x 30 SW
109B - 21		SPRING ROLL PIN	24	∅ 4 x 30
109B - 22	362390 A	CAM SHAFT BRACKET (A)	2	
109B - 24		KEY	2	7 x 7 x 35
109B - 25		SET SCREW	4	M 6 x 6
109B - 28	260956	CAM SHAFT (A)	4	
109B - 29	461119	COUPLING	4	
109B - 30		KEY	4	7 x 7 x 70
109B - 31		CAP SCREW	8	M 8 x 30
109B - 32	260957	CAM SHAFT (B)	2	
109B - 33	362154	BEVEL GEAR	2	WITH TORQUE TENDER
109B - 34	461381	BEVEL COLLAR	2	
109B - 35	362389 A	SWITCH BRACKET	1	BACK
109B - 36	362389 B	SWITCH BRACKET	1	FRONT
109B - 37		HEX. BOLT	4	M 6 x 10 W + SW
109B - 38		MICRO SWITCH	2	
109B - 39		R.H. SCREW	4	M 4 x 30 W + SW

110B PULLING CLAW PART



ASSY. NO. 110 B		ASSY. NAME PULLING CLAW PART		
PART NO.	DRAWING NO.	PART NAME	Q'TY	REMARKS
110B - 2	460437	DRAWING PIN	4	
✓ 110B - 3	461419	TORSION SPRING	4	
110B - 4		HEX. NUT	4	M 10 SW
✓ 110B - 8	460439	PULLING CLAW	4	
110B - 10		HEX. BOLT	8	M 5 x 15 W + SW
110B - 14	360844	GUIDE ROLLER BRACKET	4	
110B - 15		SPRING ROLL PIN	8	∅ 4 x 30
110B - 16		HEX. BOLT	8	M 6 x 30 SW
✓ 110B - 17	460429	GUIDE ROLLER WASHER	4	
✓ 110B - 18	460706 AB	GUIDE ROLLER	4	
✓ 110B - 19	460427	GUIDE ROLLER STUD	4	
110B - 20		HEX. NUT	4	M 10
✓ 110B - 21		SPLIT PIN	4	∅ 2 x 18
110B - 33	460253	ROLLER PIN	4	
110B - 34	460443	KNOCKING ROLLER	4	
110B - 35		HEX. NUT	4	M 8 SW
110B - 36		SPLIT PIN	4	∅ 3 x 15
110B - 45	261144	DRAW BRACKET	2	
110B - 46		ADJUST SCREW	4	M 6 x 20
110B - 47		HEX. NUT	4	M 6
110B - 48	362361 A	DRAW SUPPORT BRACKET	2	
110B - 49	362361 B	DRAW SUPPORT BRACKET	2	
110B - 50	362362 B	SLIDE ANGLE	1	FRONT
110B - 51	362362 A	SLIDE ANGLE	1	BACK
110B - 54	362559 A	DRAWING SUPPORT ANGLE	2	R
110B - 53		HEX. BOLT	8	M 10 x 20 SW
110B - 13		HEX. BOLT	8	M 10 x 20 SW
110B - 37	461107	GUIDE PLATE	4	
110B - 55	362559 B	DRAWING SUPPORT ANGLE	2	L
110B - 56		SPRING ROLL PIN	8	∅ 4 x 30



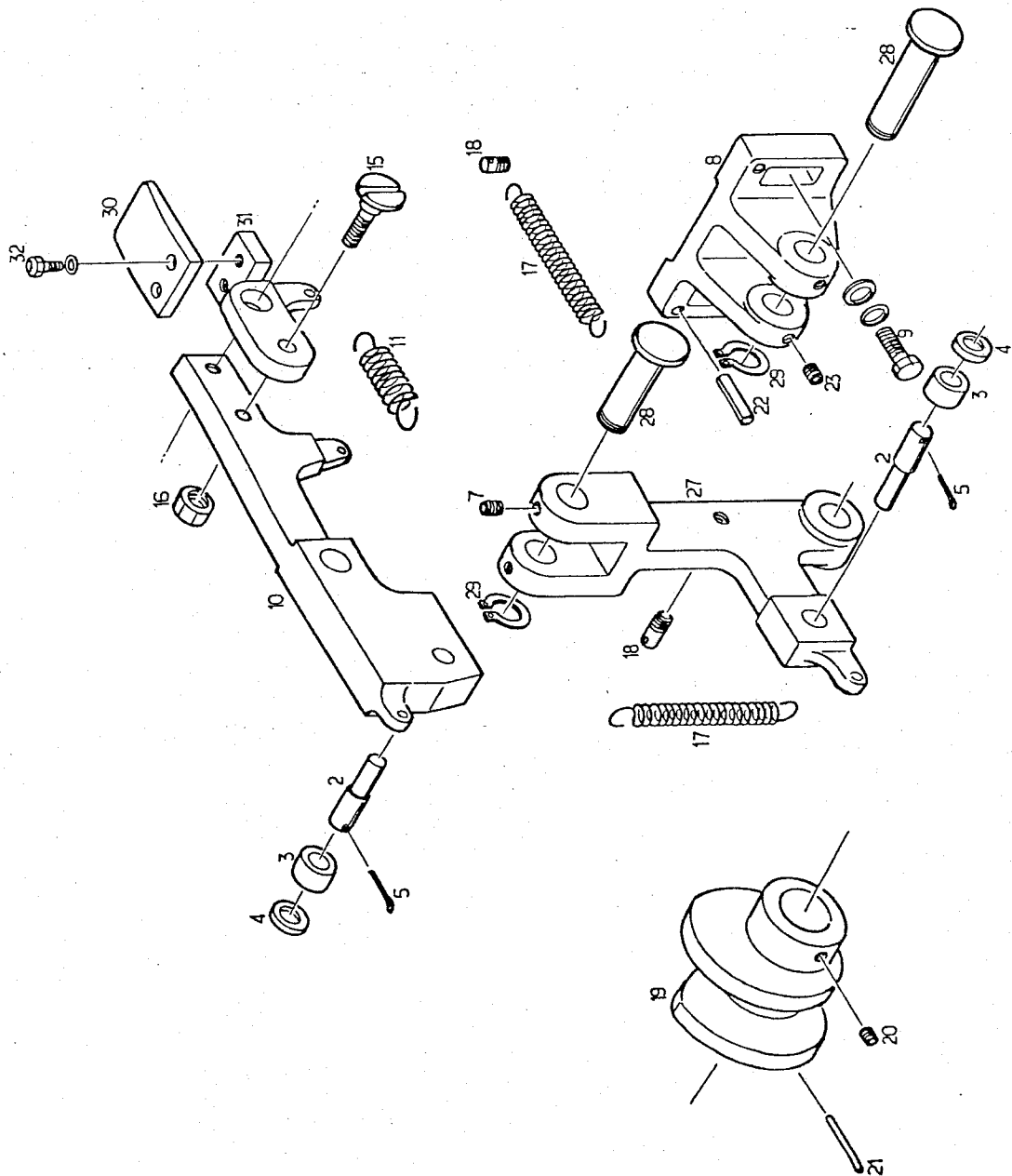
ASSY. NO. 111 B		ASSY. NAME CLEANING KNIVES PART		
PART NO.	DRAWING NO.	PART NAME	Q'TY	REMARKS
111B - 1	362151 AB	CLEANING KNIFE A	1 SET	FOR NO. 2 (L)
111B - 2	362152 AB	CLEANING KNIFE B	1 SET	FOR NO. 2 (L)
111B - 3	362153 AB	CLEANING KNIFE C	1 SET	FOR NO. 2 (L)
111B - 4	460482	STOPPER	12	
111B - 5		R.H. SCREW	24	M 4 x 6 SW
111B - 6	460480	SQUARE NUT	12	
111B - 9	460481	SPRING HOLDER	12	
111B - 10	460485	ADJUST SPACER	X	
111B - 12	460443	CAM ROLLER	8	
111B - 13	460442	CAM ROLLER PIN	4	
111B - 14	460486	GUIDE ROLLER WASHER	8	
111B - 15		SPLIT PIN	8	∅ 2 x 15
111B - 16	460466	TENSION SPRING	12	
111B - 17	360822	KNIFE CAM	4	
111B - 18		SET SCREW	4	M 6 x 6
111B - 19		DOWEL PIN	8	∅ 4 x 40
111B - 28	362151 AB	CLEANING KNIFE A	1 SET	FOR NO. 1 (R)
111B - 29	362152 AB	CLEANING KNIFE B	1 SET	FOR NO. 1 (R)
111B - 30	362153 AB	CLEANING KNIFE C	1 SET	FOR NO. 1 (R)
111B - 31	461257	KNIFE SPRING	12	
111B - 32	361997	KNIFE ADJUST SCREW	12	
111B - 33	461256	KNIFE PUSH HOLDER	12	
111B - 46	362356 B	KNIFE SPRING HOLDER	2	FRONT
111B - 47	362356 A	KNIFE SPRING HOLDER	2	BACK
111B - 48		CAP SCREW	8	M 8 x 20 SW

ASSY. NO. 112 A		ASSY. NAME HAMMER PART		
PART NO.	DRAWING NO.	PART NAME	Q'TY	REMARKS
112A - 2	460702	HAMMER ROLLER PIN	4	
112A - 3	460443	CAM ROLLER	4	
112A - 4	460486	GUIDE WASHER	4	
112A - 5		SPLIT PIN	4	Ø 2 x 15
112A - 7		SET SCREW	8	M 6 x 10
112A - 8	360698	HAMMER BRACKET	2	
112A - 9		HEX. BOLT	4	M 10 x 30 W + SW
112A - 10	361205	HAMMER BODY	2	
112A - 11	460449	HAMMER HEAD SPRING	2	
112A - 15	460381	HAMMER STUD	4	
112A - 16		HEX. NUT	4	M 8 SW
112A - 17	460276	TENSION SPRING	4	
112A - 18	460451	SPRING HOLDER	2	
112A - 19	361203	HAMMER CAM	2	
112A - 20		SET SCREW	2	M 6 x 10
112A - 21		DOWEL PIN	2	Ø 4 x 40
112A - 27	362344	HAMMER ARM	2	
112A - 28	461486	HAMMER STUD	4	
112A - 29		STOP RING	4	S - 15
112A - 30	461487	HAMMER HEAD	2	
112A - 31	362346 362368	HAMMER HEAD BRACKET	2	
112A - 32		R.H. SCREW	4	M 8 x 25 N + SW
112A - 22		SPRING ROLL PIN	4	Ø 4 x 30
112A - 23		SET SCREW	4	M 6 x 6

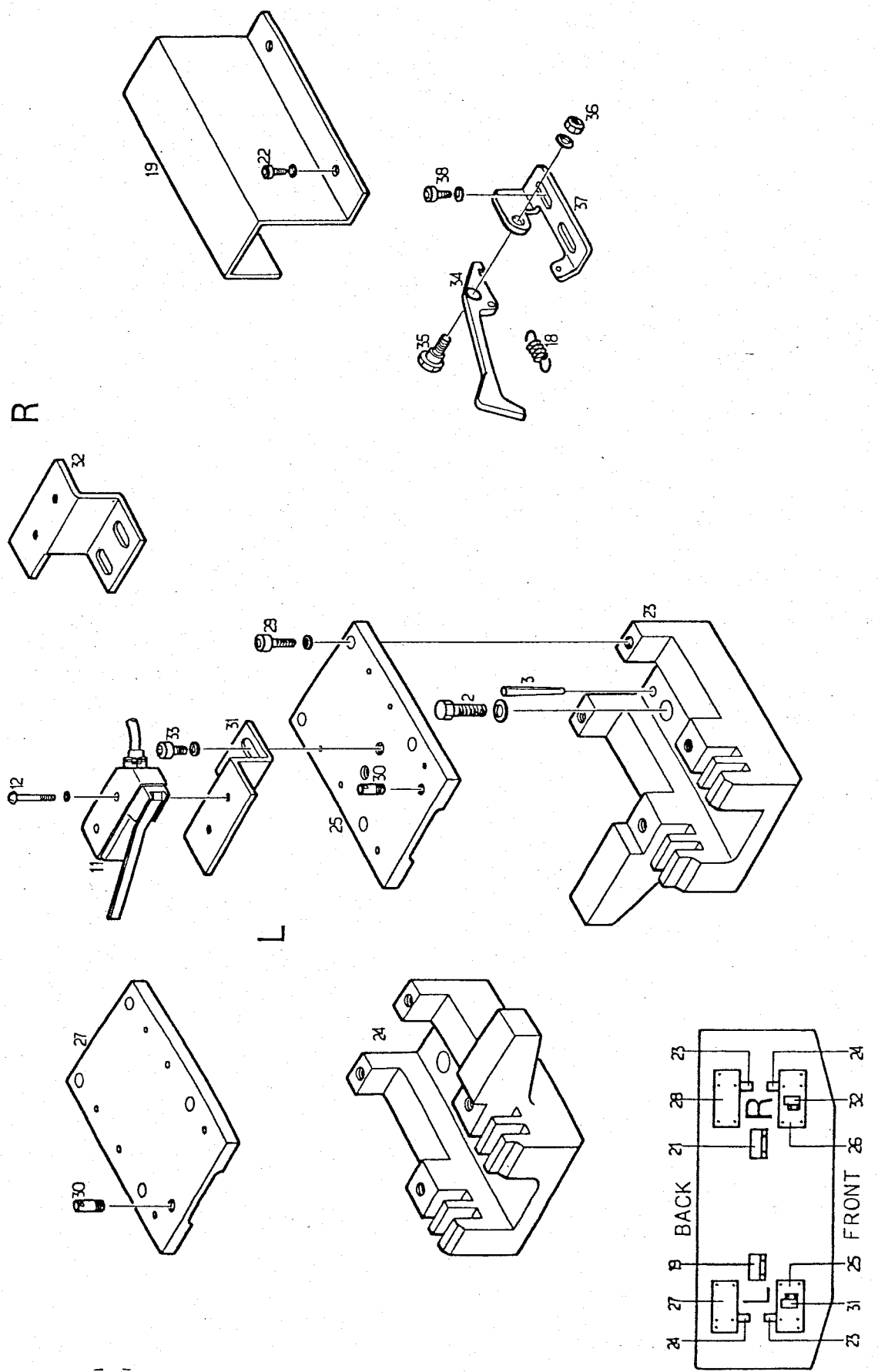
** When ordering Part No. 112A - 10, 27, Part No. 112A - 2 will be attached.

However Part No. 112A - 2 can be ordered individually.

112A HAMMER PART



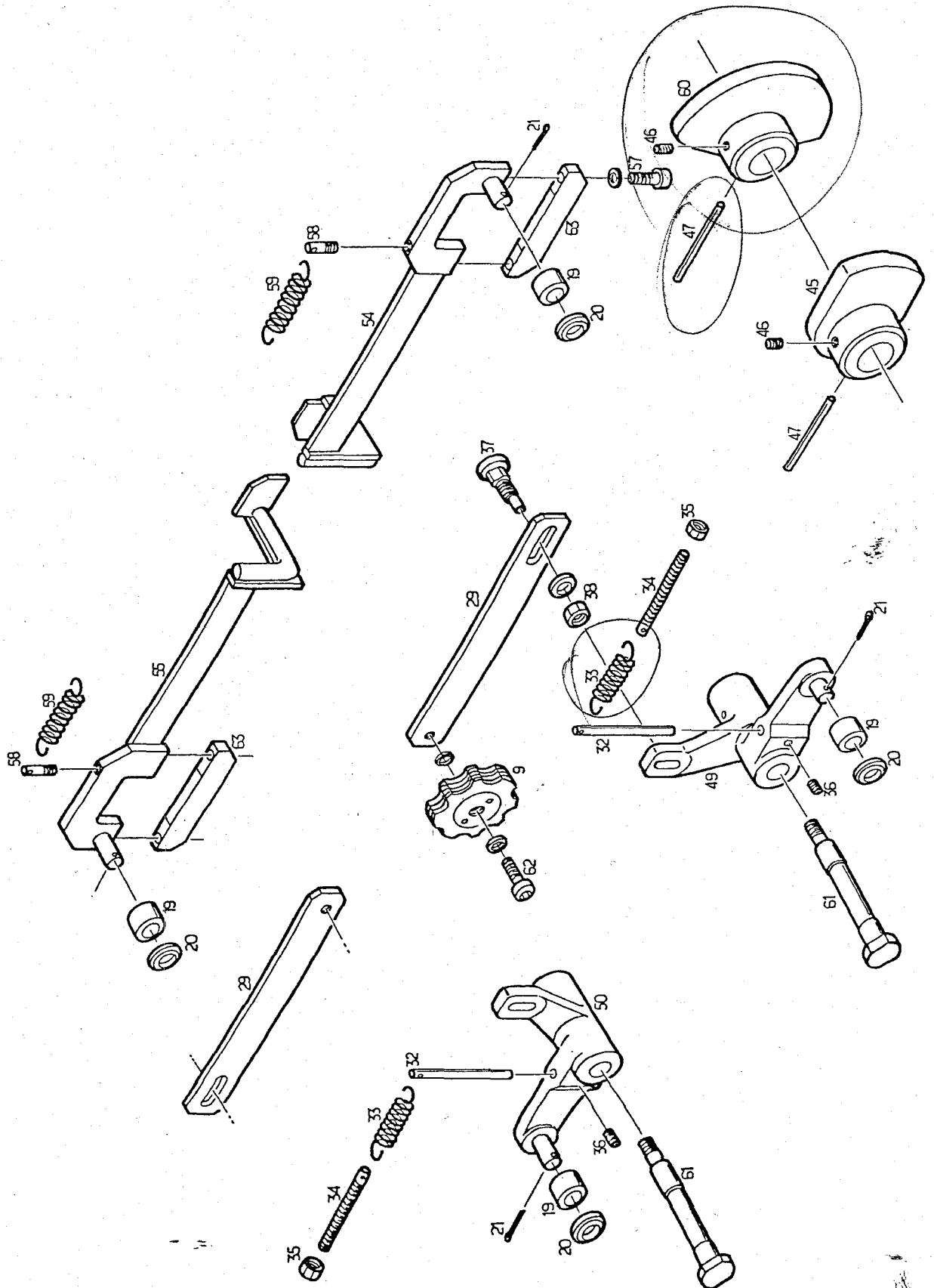
113B CLEANING HEAD, BOBBIN STOPPER PART



ASSY. NO. 113 B		ASSY. NAME CLEANING HEAD, BOBBIN STOPPER PART		
PART NO.	DRAWING NO.	PART NAME	Q'TY	REMARKS
113B - 2		HEX. BOLT	8	M 10 x 30 SW
113B - 3		TAPER PIN	8	∅ 6 x 40
113B - 11		MICRO SWITCH	2	
113B - 12		R.H. SCREW	4	M 4 x 30 W + SW + N
113B - 18	460490	SPRING	2	
113B - 19	361795	STOPPER COVER	1	L
113B - 21	361795	STOPPER COVER	1	R
113B - 22		CAP SCREW	4	M 5 x 10 SW
113B - 23	261142 A	CLEANING HEAD	2	
113B - 24	261142 B	CLEANING HEAD	2	
113B - 25	362358 A	CLEANING HEAD COVER	1	FRONT L
113B - 26	362358 B	CLEANING HEAD COVER	1	FRONT R
113B - 27	362359 B	CLEANING HEAD COVER	1	BACK L
113B - 28	362359 A	CLEANING HEAD COVER	1	BACK R
113B - 29		CAP SCREW	16	M 8 x 15 W + SW
113B - 30	461492	SPRING HOLDER	4	
113B - 31	362360 B	M.S. STAND	1	L
113B - 32	362360 A	M.S. STAND	1	R
113B - 33		CAP SCREW	4	M 8 x 8 W + SW
113B - 34	362135 B	BOBBIN STOPPER	2	WITH MINI BEARING
113B - 35	461369	STOPPER PIN	2	
113B - 36		HEX. NUT	2	M 6 SW
113B - 37	461370 B	STOPPER BRACKET	2	
113B - 38		CAP SCREW	4	M 6 x 10 W + SW

ASSY. NO. 114B		ASSY. NAME CHUTE PART		
PART NO.	DRAWING NO.	PART NAME	Q'TY	REMARKS
114B- 2		HEX.BOLT	12	M6 X 12 SW
114B- 4		HEX.BOLT	4	M8 X 30 SW
114B- 5		SPRING ROLL PIN	4	Ø4 X 25
114B- 8		HEX.BOLT	8	M5 X 15 SW
114B- 9	460779	HINGE PIN	4	
114B-10		SPLIT PIN	8	Ø2 X 10
114B-11		WASHER	8	
114B-12	460460B	GUIDE FLAP SPRING	4	
114B-13	460777	SPRING HOLDER	4	
114B-14		HEX.NUT	8	M6
114B-15		HEX.BOLT	4	M8 X 40
114B-16		HEX.NUT	4	M8
114B-18	361200B	STROKE HAMMER	1	L
114B-19	461121	HINGE PIN	2	
114B-20		SPLIT PIN	4	Ø2 X 15
114B-21		WASHER	4	
114B-22	460798	E.B.SPRING	2	
114B-23	460468	S.H.SPRING	2	
114B-24	460774	SPRING HOLDER	2	
114B-25		HEX.BOLT	2	M8 X 35 SW
114B-26		HEX.NUT	2	M8
114B- 42	360625B	BOBBIN GUIDE	1	L
114B-28	461088	COIL SPRING	4	
114B-29		HEX.NUT	8	M6
114B-32	361994	GUIDE FLAP	4	
114B-33	461258	GUIDE FLAP CLAW	4	
114B-34	361998	PUSH BAR BRACKET	1	L
114B-35		CHUTE	1	L
114B-36	361199B	EMERGENCY BAR	1	L
114B-37		CHUTE	1	R
114B-38	361998A	EMERGENCY BAR	1	R
114B-39	361200A	STROKE HAMMER	1	R
114B-40	361998	PUSH BAR BRACKET	1	R
114B-43	360625A	BOBBIN GUIDE	1	R
114B-44	460730	ADJUST HOLDER	2	L
114B-45	460730	ADJUST HOLDER	2	R
114B-46	461284	LEVER	2	

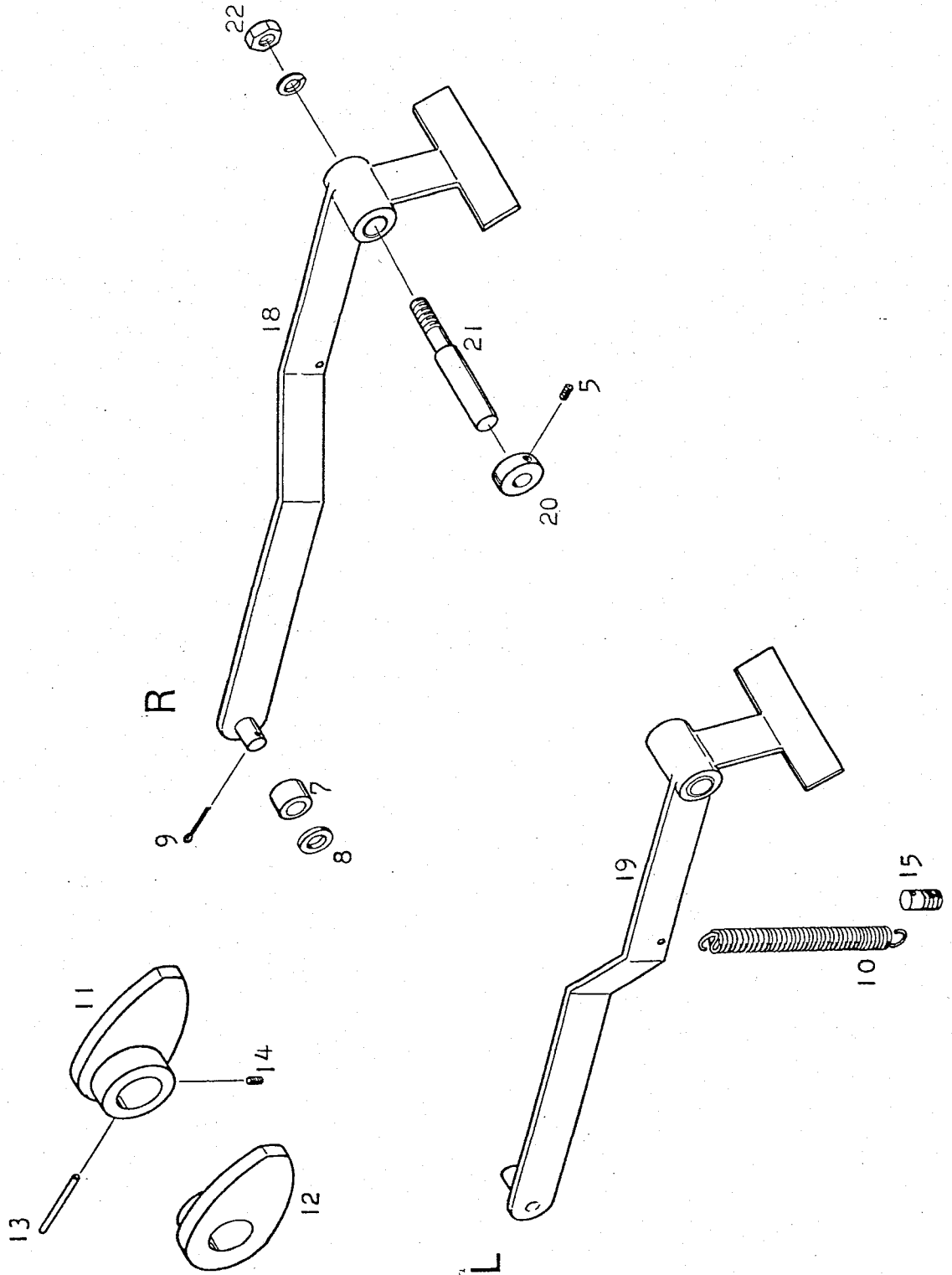
115B LAMELLAS, UNDER BOBBIN HOLDER PART



ASSY. NO. 115 B		ASSY. NAME LAMELLAS, UNDER BOBBIN HOLDER PART		
PART NO.	DRAWING NO.	PART NAME	Q'TY	REMARKS
115B - 9	460474 460475	LAMELLAS	4	
115B - 19	460443	CAM ROLLER	8	
115B - 20	460486	GUIDE ROLLER WASHER	8	
115B - 21		SPLIT PIN	8	Ø 2 x 15
115B - 29	461046	LAMELLAS BAR	4	
115B - 32	461048	SPRING HOLDER	4	
115B - 33	461047 B	TENSION SPRING	4	
115B - 34	461049	ADJUST BOLT	4	
115B - 35		HEX. NUT	8	M 6
115B - 36		SET SCREW	4	M 6 x 6
115B - 37	461045	ADJUST PIN	4	
115B - 38		HEX. NUT	4	M 8 W + SW
115B - 45	461084	LAMELLAS CAM	4	
115B - 46		SET SCREW	8	M 6 x 6
115B - 47		DOWEL PIN	8	Ø 4 x 40
115B - 49	362008 B 461483 A	MOVING LEVER	2	R
115B - 50	362008 A 461483 A	MOVING LEVER	2	L
115B - 54	362393 A 461483 B	UNDER BOBBIN HOLDER	2	R
115B - 55	362393 B 461483 B	UNDER BOBBIN HOLDER	2	L
115B - 63	461611	CAP	4	
115B - 57		CAP SCREW	8	M 6 x 25 SW
115B - 58	461492	SPRING HOLDER	4	
115B - 59	461047 E	TENSION SPRING	4	
115B - 60	461490	UNDER BOBBIN HOLDER CAM	4	
115B - 61	461283	MOVING LEVER PIN	4	
115B - 62		CAP SCREW	4	M 6 x 20 SW

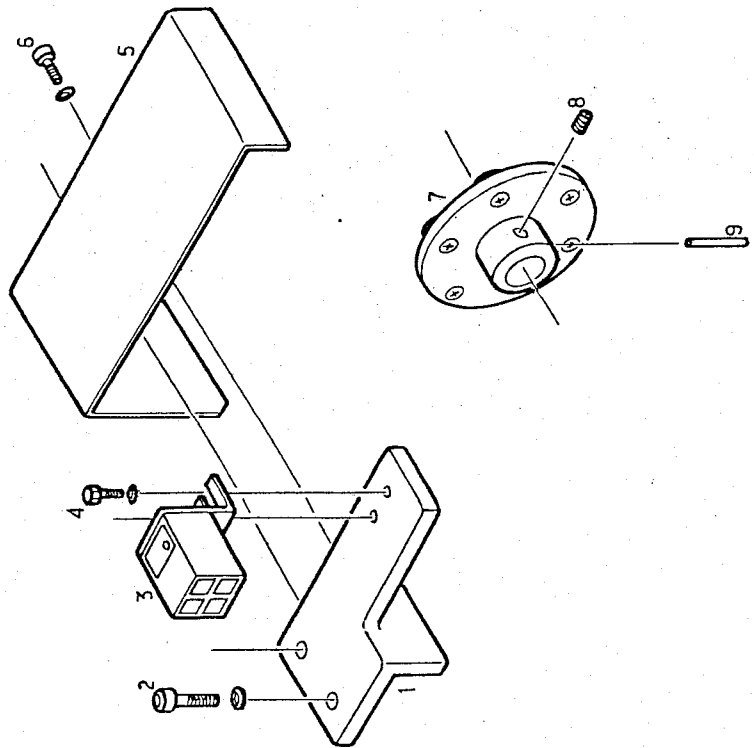
116A DROP BOBBIN ADJUSTMENT PART

MURAO



ASSY. NO. 116 A		ASSY. NAME DROP BOBBIN ADJUSTMENT PART		
PART NO.	DRAWING NO.	PART NAME	Q'TY	REMARKS
116A - 5		SET SCREW	2	M 6 x 6
116A - 7	460443	CAM ROLLER	2	
116A - 8	460486	GUIDE WASHER	2	
116A - 9		SPLIT PIN	2	Ø 2 x 15
116A - 10	460493	TENSION SPRING	2	
116A - 11	460452 B	BOBBIN RECEIVER CAM	1	R
116A - 12	460452 A	BOBBIN RECEIVER CAM	1	L
116A - 13		DOWEL PIN	2	Ø 4 x 40
116A - 14		SET SCREW	2	M 6 x 6
116A - 15	460451	SPRING HOLDER	2	
116A - 18	261140 B 461483 C	BOBBIN RECEIVER	1	R. WITH DRY BEARING
116A - 19	261140 A 461483 C	BOBBIN RECEIVER	1	L. WITH DRY BEARING
116A - 20	461485	SET COLLAR	2	
116A - 21	461484	HINGE PIN	2	
116A - 22		HEX. NUT	2	M 12 SW

118A PROXIMITY SWITCH PART





ASSY. NO.	118 A	ASSY. NAME	PROXIMITY SWITCH PART	
-----------	-------	------------	-----------------------	--

PART NO.	DRAWING NO.	PART NAME	Q'TY	REMARKS
118A - 1	362347	PROXIMITY SWITCH STAND	1	
118A - 2		CAP SCREW	2	M 10 x 25 SW
118A - 3		PROXIMITY SWITCH	1	
118A - 4		HEX. BOLT	2	M 4 x 10 W + SW
118A - 5	362388	COVER	1	
118A - 6		CAP SCREW	2	M 5 x 10 SW
118A - 7	362400	SHELTER PLATE	1	
118A - 8		SET SCREW	1	M 6 x 6
118A - 9		SPRING ROLL PIN	1	∅ 4 x 40