

NO	MARK	NAME OF PARTS	DESCRIPTION	Q UNT	MAKER
1	NF1	NOFUSE BREAKER	NF30-FA 3P 30A	1	mitsubishi
2	NF2	NOFUSE BREAKER	NF30-FA 3P 20A	1	mitsubishi
4	CP1	CIRCUIT PROTECTOR	CP31/X 15A	1	FUJI
5	CP2	CIRCUIT PROTECTOR	CP31/X 5A	1	FUJI
6	F1.F2	GLASS TUBE FUSE	5A	2	FUJI
7	INV.L.R	INVERTER	CIMR-V7AA20P2 0.2K	2	mitsubishi
8	MC1	MAGNETIC SWITCH	SC-03 AC200V	1	FUJI
9	DC1	POWER SUPPLY	S82K-0512 DC12V 1.2A	1	OMRON
10	DC2	POWER SUPPLY	S82K-0124 DC24V 0.6A	1	OMRON
11	JGSM	SYSTEM MODULE	JGSM-17	1	YASUKAWA
12	T.R	TRANS FORMER	0 - 220V 740VA	1	SANKI
13	SM1	BRAKE PACK	SB50W	1	ORIENTAL
14	FX1N	SEQUENCER	FX1N-40MR	1	mitsubishi
15	R1	MAGNETIC RELAY	LY2N-D2 DC24V	1	OMRON
16	R2~R7	MAGNETIC RELAY	MY4NZ-D DC24V	6	OMRON
17	CB1.2	CIRCUIT BOARD	(32) L.R THYRISTOR UNIT	2	SANKI
18	CB3	CIRCUIT BOARD	UTM-01	1	SANKI
19	CB4	BRAKE UNIT	(30) BRAKE UNIT	1	SANKI
20	RL .RR	RESISTOR UNITO	(31) RESISTOR UNITO	2	SANKI
21	LM.RM	SPEED METER	DCF-8 0~ m/min	2	TOYO
22	VRI	POTENTION METER	RV30YN20S-B202 2K	1	COSMOS
23		FILTER	RD43-81AB	2	NITO
24	OW12.LR	POWER AMP	OW-12	2	SANKI
25	PS1~4	PHOTO SWITCH	AN50530	4	MATSUSHTA
26	PX1~4	PROXIMITY SWITCH	E2E-X2ME1	4	OMRON
27	LSN.W	LIMIT SWITCH	WLA2	2	OMRON
28	PL1	PILOT LAMP	DR30DOL-M3W	1	FUJI
29	PL1	PILOT LAMP	DR30DOL-E3G DC24V	1	FUJI
30	SS1	SELECT SWITCH	AR30PR-220B	1	FUJI
31	SS2	SELECT SWITCH	AR30PR-311B	1	FUJI
33	SW1	SNAP SWITCH	WD114	1	MATSUSHTA

DRAWING NO.

T215 - E1205

NAME OF MACHINE

M-1000 ROBOT GRIPPER

DATE

2006.8.30

MANAGER

INSPECTOR

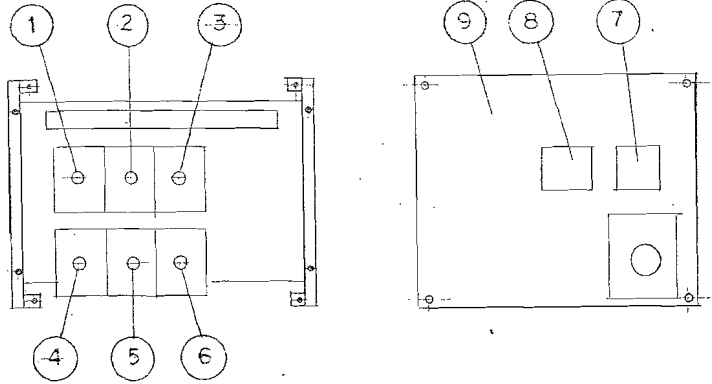
DESIGNER

SANKI INDUSTRY CO., LTD.

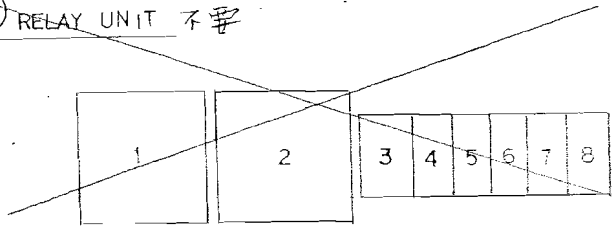
KYOTO JAPAN

32 L.R THYRISTOR UNIT

CB-1・CB-Z

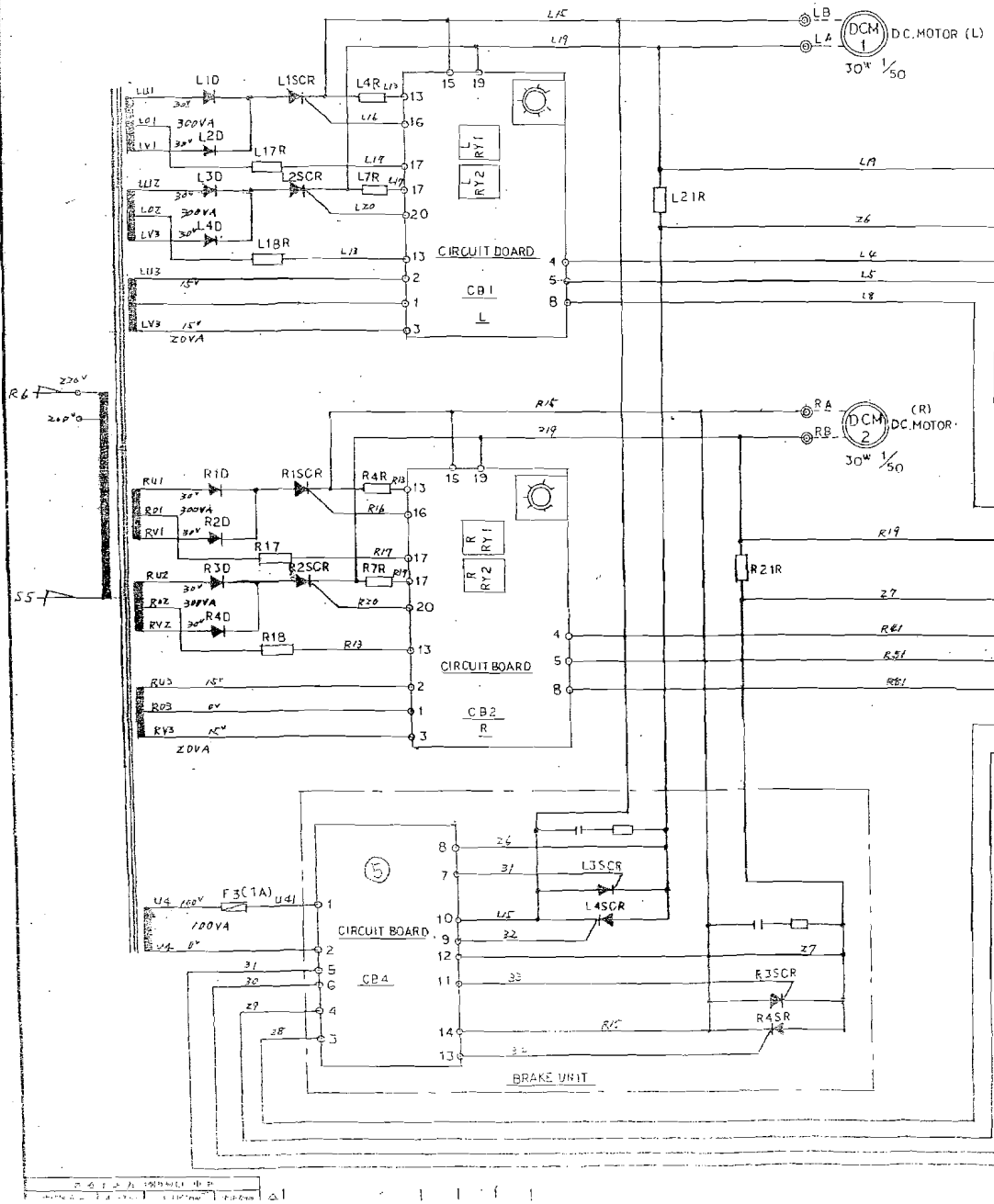


33 RELAY UNIT 不要

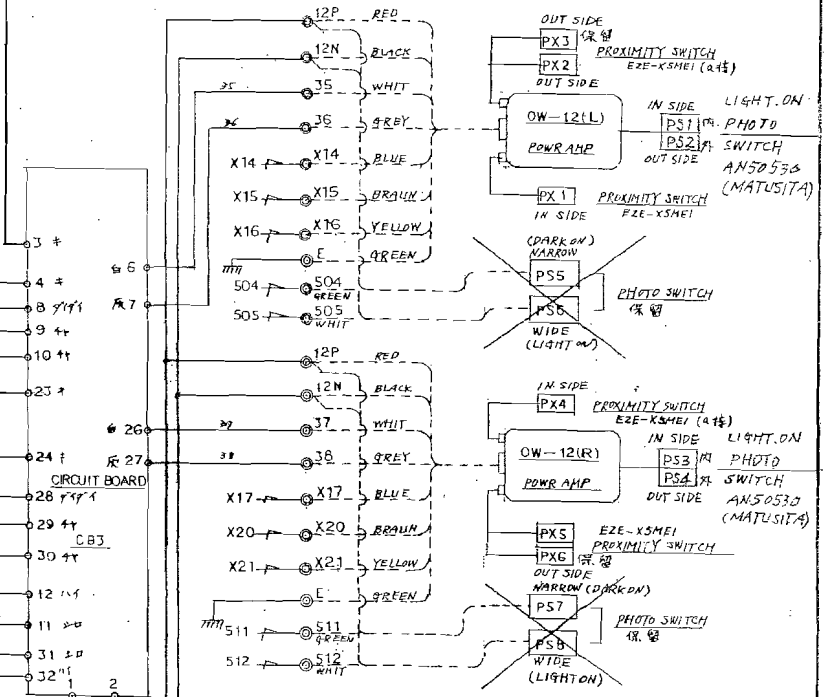


NO	MARK	NAME OFF PARTS	Q	UNIT	MAKER	DESCRIPTION
32-1	L.R.1SCR	THYRISTOR	Z	NEC	ZOP1SQA	
"-2	" 1D	DIODE	Z	"	11R1SC	
"-3	" 2D	"	Z	"	"	
"-4	L.R.2SCR	THYRISTOR	Z	"	ZOP1SQA	
"-5	" 3D	DIODE	Z	"	11R1SC	
"-6	" 4D	"	Z	"	"	
"-7	L.R.RY1	MAGNET RELY	Z	TAIKO	MS-K60ZP DC12V	
"-8	" RYZ	" "	Z	"	" "	
"-9	CB1,Z	CIRCUIT BOARD	Z			
33-1	R1	MAGNET RELAY	1	OMRON	MM3XP AC200V	
"-2	R2	" "	1	"	" "	
"-3	R1A	" "	1	"	LY-2N "	
"-4	R3	" "	1	"	MY-2N "	
"-5	R4	" "	1	"	" "	
"-6	R5	" "	1	"	" "	
"-7	R6	" "	1	"	" "	
"-8	R7	" "	1	"	" "	

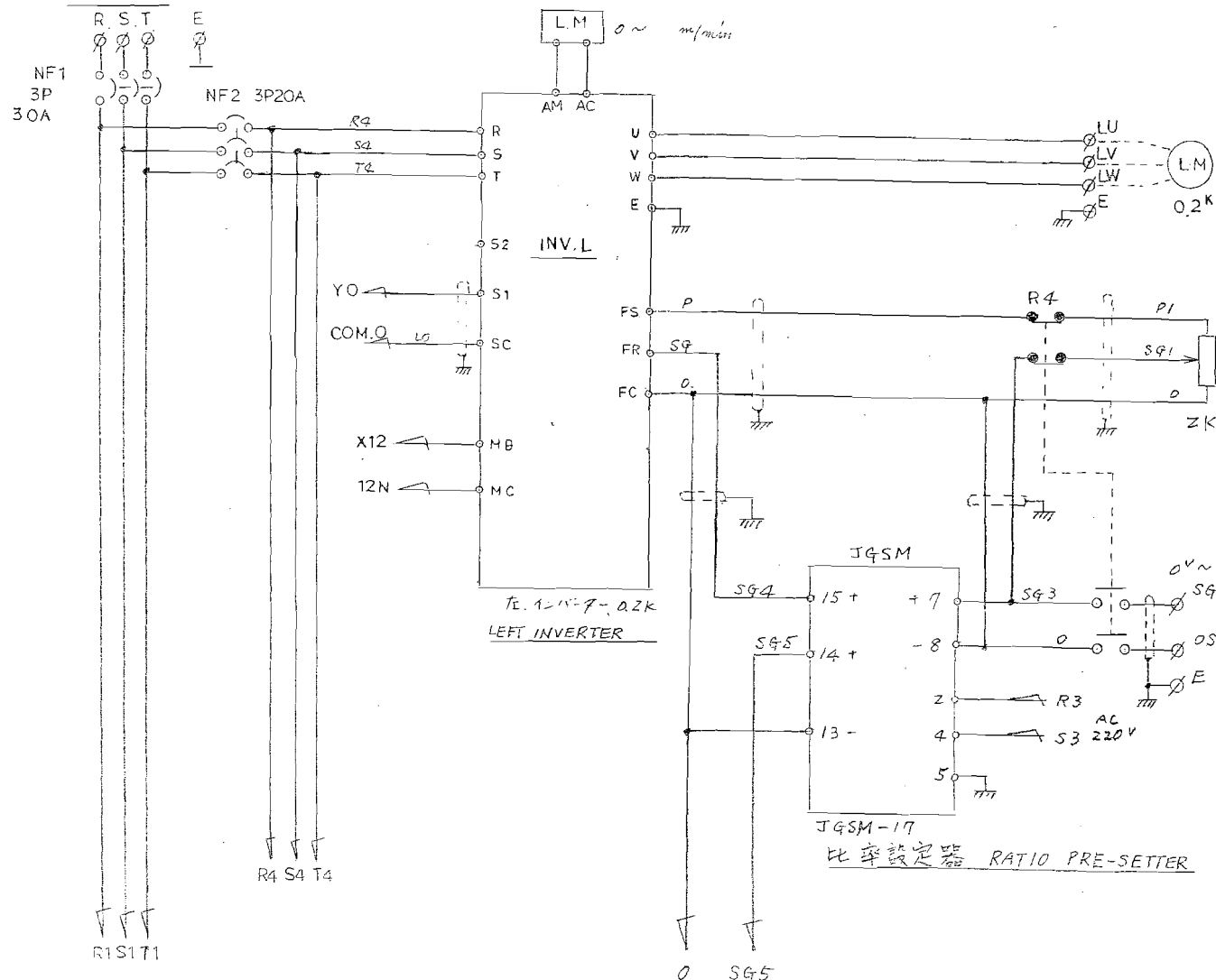
DRAWING NO.	NAME OF MACHINE	DATE	MANAGER	INSPECTOR	DESIGNER	SANKI INDUSTRY LTD. KYOTO JAPAN
UTM7-EX096	HT-TEX ROBOT PARTS LIST	2006-9-20				



機	種	
番	号	
原	番	



部	品	名	規	格	數	研	考
HI-TEX ROBOT GUIDER							
CONNECTION DIAGRAM							
機	種	番	号	機	種	番	号
機	種	番	号	機	種	番	号
株式会社 日立製作所							



左ガイドモーター LEFT GUIDER MOTOR

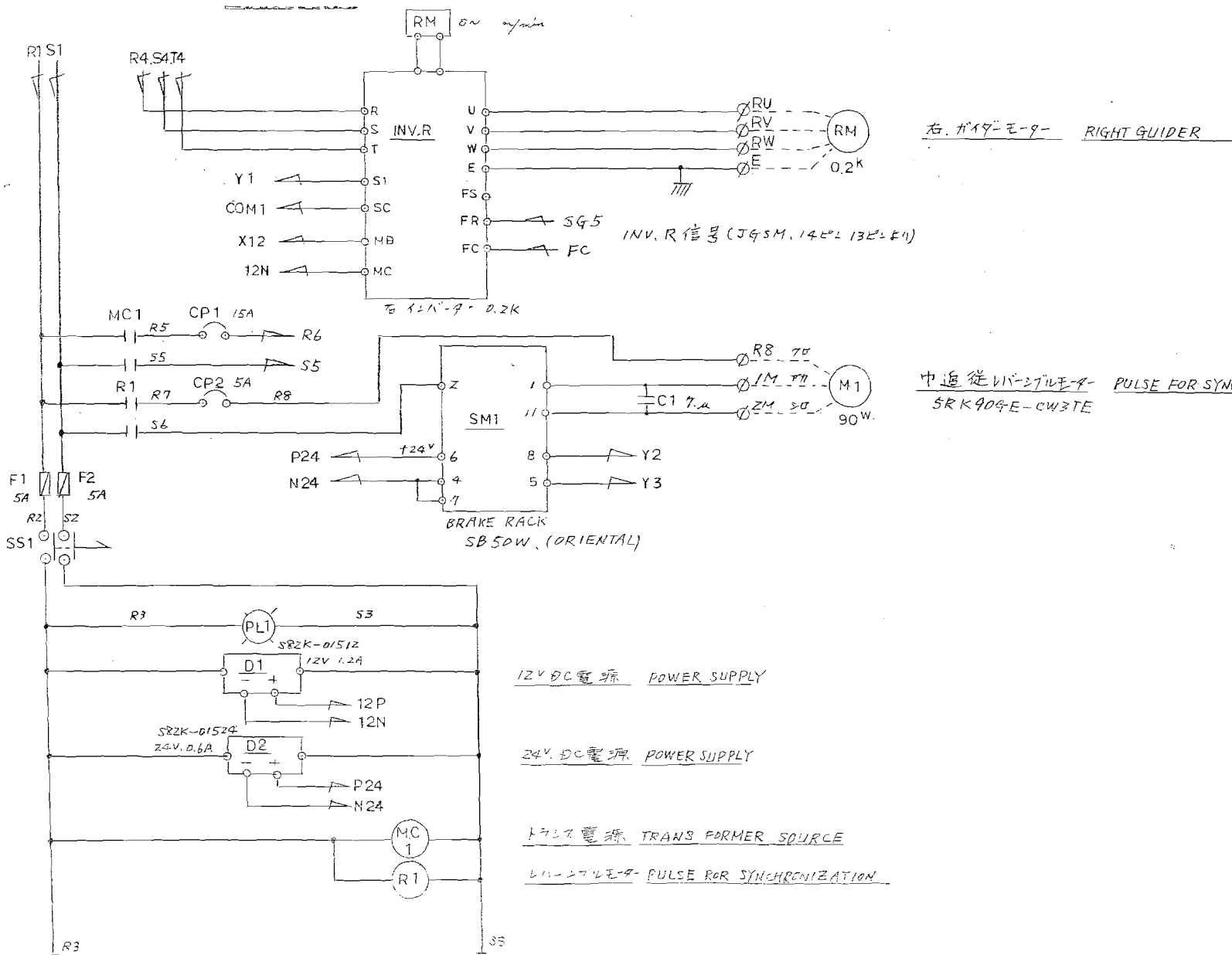
VR1 単動速度調整
SINGLE SPEED CONTROL

連動外部速度同調信号
DC. 0V ~ +10V MAX/min/m
PULSE FOR SYNCHRONIZATION

J9SM-17
比率設定器 RATIO PRE-SETTER

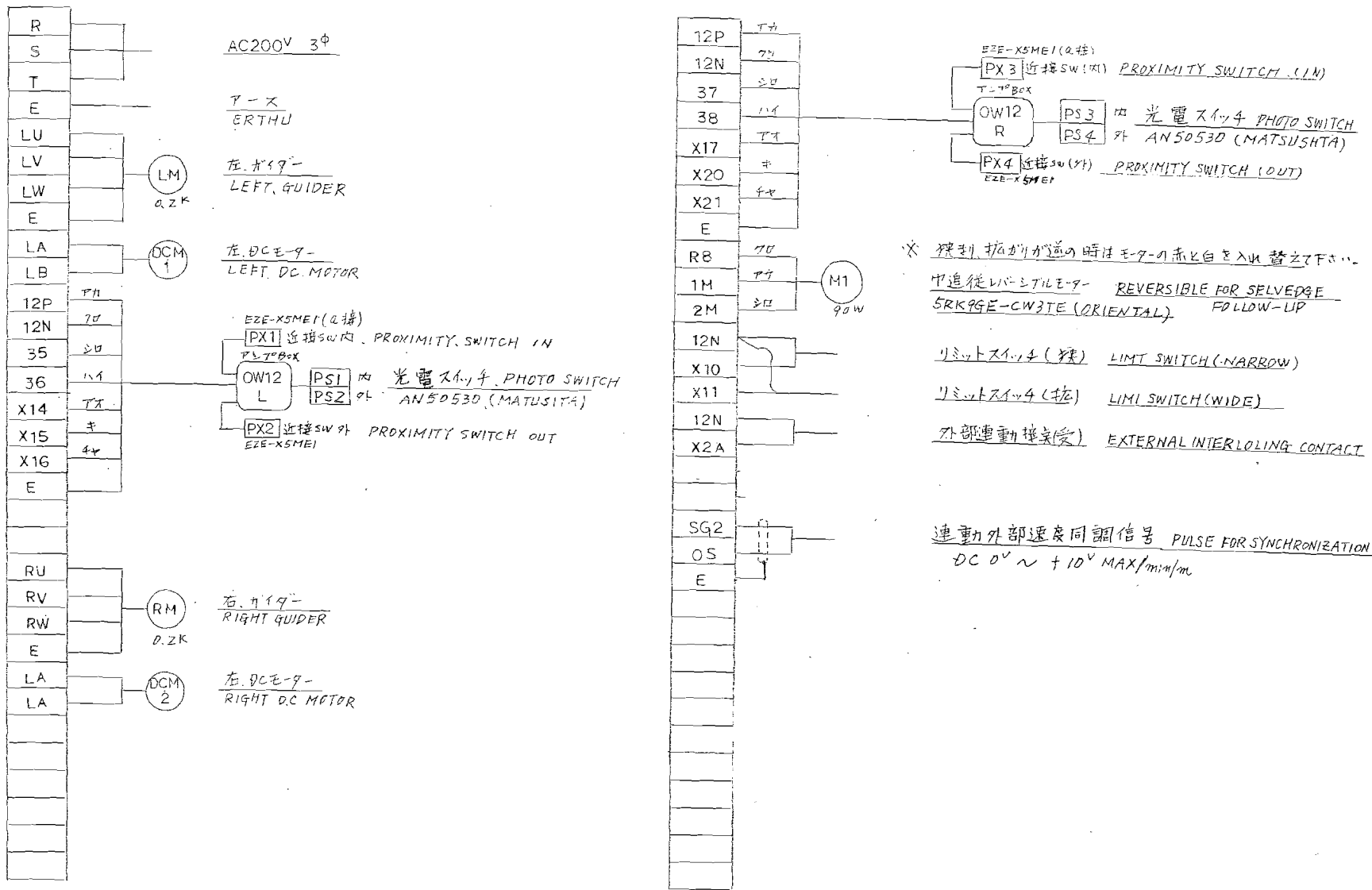
INV-R 信号 (SIGNAL)

DRAWING NO.	NAME OF MACHINE	DATE	DESIGNED BY	CHECKED BY	APPROVED BY
UTNS - E 201	FASTER FRONT END				
					SANKI INDUSTRY CO., LTD. KYOTO JAPAN



DRAWING NO.	NAME OF MACHINE	DATE	MANAGER	INSPECTOR	DESIGNER
UTM8 - E1202	HILTEX ROBOT GUIDER COLLECTION DIAGRAM	2006.8.30			

SANKI INDUSTRY CO., LTD.
KYOTO JAPAN



DRAWING NO.

UT8 — E 1204

NAME OF MACHINE

MI-TEX ROBOT GUIDER
CONNECTION DIAGRAM

DATE

2006. 8. 29

MANAGER

INSPECTOR / DESIGNER

SCALE

Re. Kansei

SANKI INDUSTRY CO., LTD.
KYOTO JAPAN