

RING GUIDER (RG-2A)

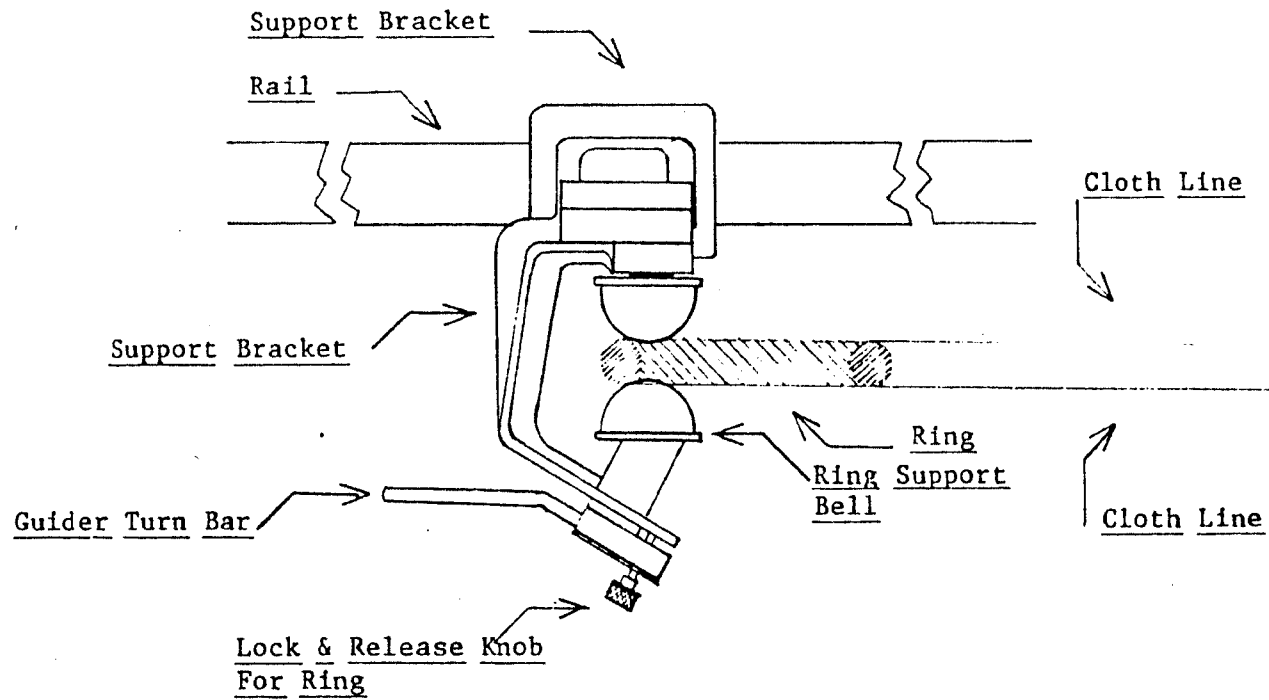
TEL 0774 (43) 5 7 2 1 (代表)

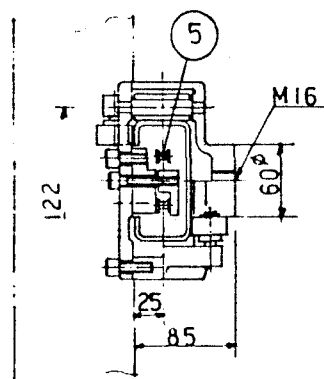
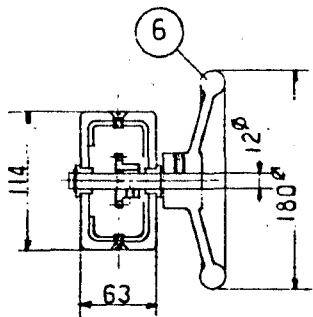
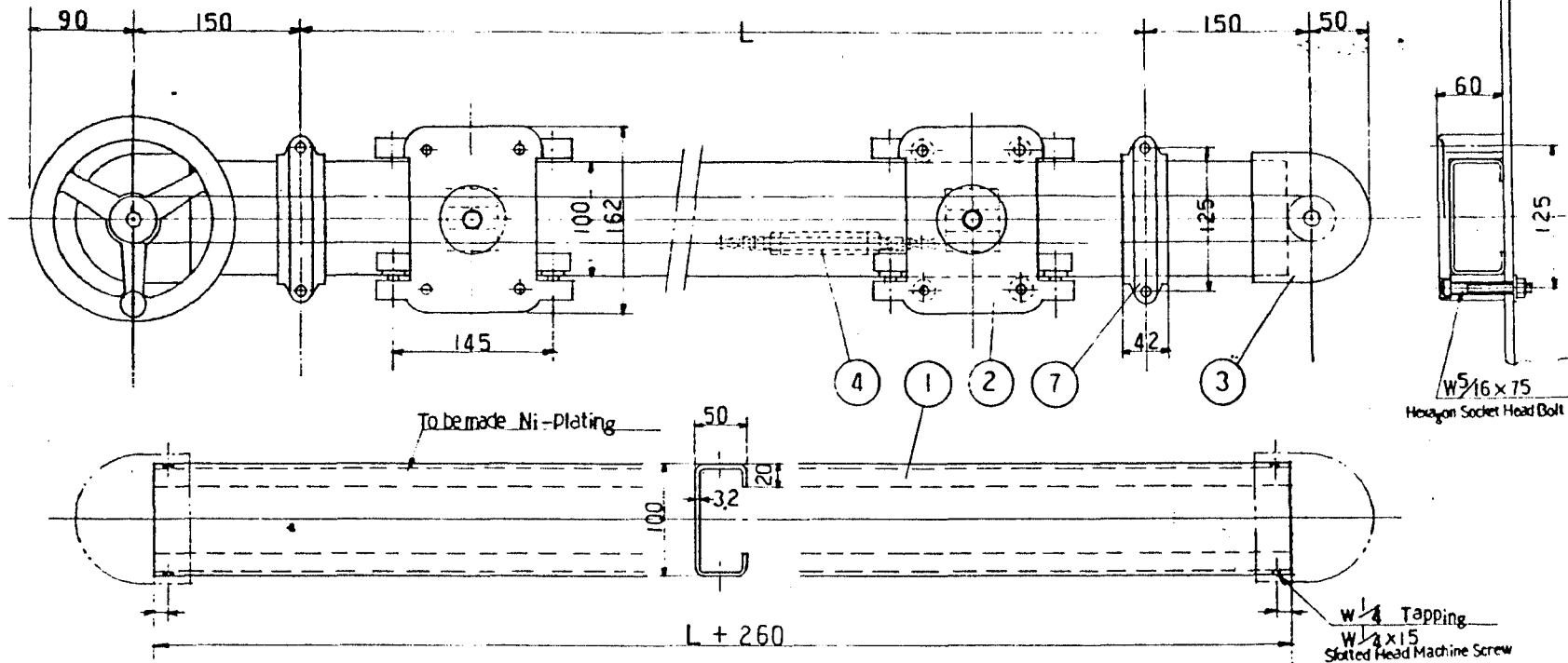
P/NO	Part Name	Qty/set	Material
RG-100A	Guide Frame	2pcs	Mild Steel-Cr Plating
101A-1	Fixed Shaft	2 "	Stainless Steel
-3	Shap Ring	2 "	" "
102A-1	Support Cone	4 "	" "
-2	Ball Bearing 6303ZZ	4 "	(High Carbon Chromium Bearing Steel)
-3	Snap Ring	4 "	Spring Steel
103A-1	Support Pin	4 "	Mild Steel
-2	Snap Ring	4 "	Spring Steel
104B	Cone Cover (A)	4 "	Stainless Steel
105	Ring	2 "	Phenolic Resin
106	Set Collar	2 "	Stainless Steel
107A	Hand Knob	2 "	Aluminium Alloy (Anodic Film of Aluminium)
108A	Spring Support	2 "	Stainless Steel
109	Spring	2 "	Piano Wire
110	Washer	2 "	Mild Steel
111	Hand Knob Cover	2 "	Stainless Steel
112	Rubber Packing	2 "	Synthetic Rubber
113	Cone Cover (B)	2 "	Stainless Steel
120	Fixed Braket	2pcs	Mild Steel



SANKI - RING TYPE GUIDER FOR TUBULAR KNITS

Topview of one side only - (Opposite side is mirror image)





Note: Slide rail arranged by you must be made tapping after end bracket was inserted in a position at your end to decide exact tapping location.

7	2	Bracket	
6	1	Handle Wheel	
5	1	Roller Chain	※ To be arranged at your end.
4	1	Tumbuckle	
3	2	End Bracket	
2	2	Slide Block	
1	1	Slide Rail	
NO	QTY	NAME	

DRAWING NO.	NAME OF MACHINE	DATE	MANAGER	INSPECTOR	DESIGNER
SR - 001	ADJUSTING SUPPORT	Sep 79			N. Yabuta
		SCALE			
		1/4			